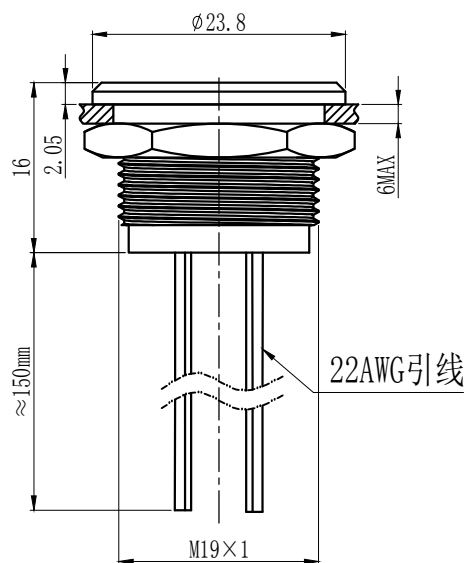


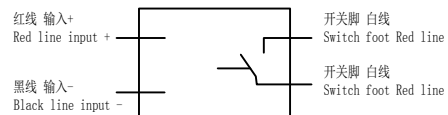
UNIT: mm (毫米)

HBAN 红波

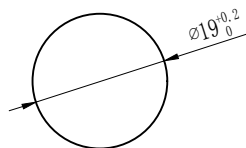


开关结构说明: Switch structure description:

电源输入:
(Power input):
9-24V AC/DC



安装孔尺寸: Mounting hole size:



性能要求:

Performance requirements:

- 防护等级: IP69、IK09;
Protection grade: IP68、IK09
- 接触电阻: $\leq 50\text{m}\Omega$;
Contact resistance: $\leq 50\text{m}\Omega$
- 脉冲时间: $\leq 50\text{m}\Omega$;
Pulse time: $\leq 50\text{m}\Omega$;
- 抗电强度: AC2500V, 1min, 无闪烁、击穿;
Electrical resistance: AC2500V, 1min, no flicker and breakdown;
- 寿命: 电气部分在额定负载下动作1000万次无异常。
Life: electrical part: operate 10000000 times under rated load without any abnormality.

技术要求:

Technical requirements:

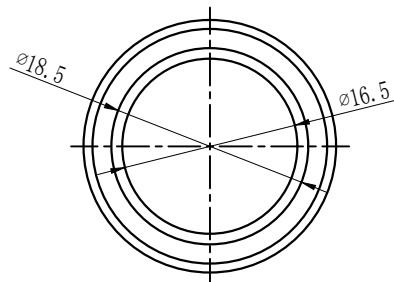
- 表面光洁, 平整无毛刺;
The surface is smooth and smooth without burr;
- 参数/批次字迹清晰, 无错位;
Clear handwriting of parameters/batches without any dislocation;
- 电气参数: Ith: 200mA Ui: 24V/DC;
Electric parameter: 200mA Ui: 24V/V;
- 工作环境温度: $-40^{\circ}\text{C} \sim +70^{\circ}\text{C}$;
Working environment temperature: $-40^{\circ}\text{C} \sim +70^{\circ}\text{C}$;
- 动作形式: 脉冲; 自锁式;
Action form: Pulse; self-locking ;
- 动作行程: 无;
Movement stroke: There is no;
- 连接形式: 焊接导线;
Connection form: welding wire;
- 拧紧力矩: 5~14Nm;
Tightening torque: 5-14nm;
- 开关组合: 1NO1NC;
Switch combination: 1NO1NC;
- 外观材料: 按键: 不锈钢; 铝合金;
Appearance material: Keypad: stainless steel; Alum
- 未标注公差按照GB/T 1804-m级。
Unmarked tolerance shall be in accordance with GB/T 1804-m class.

描 图

描 校

底 图 号

装 订 号



DR.		SCALE.		Date.		名称(TITLE): M19 Metal electronic switch M19金属电子开关
制 图	审 核	比 例	会 签	日 期		
黄	陈秋霞	1.5:1		2021.12.25		图号(DWG NO): SW-PS19C-10(Z)/Y/A
PW.		P.	第 1 页 共 1 页 (1/1)			
单 重		页 码				