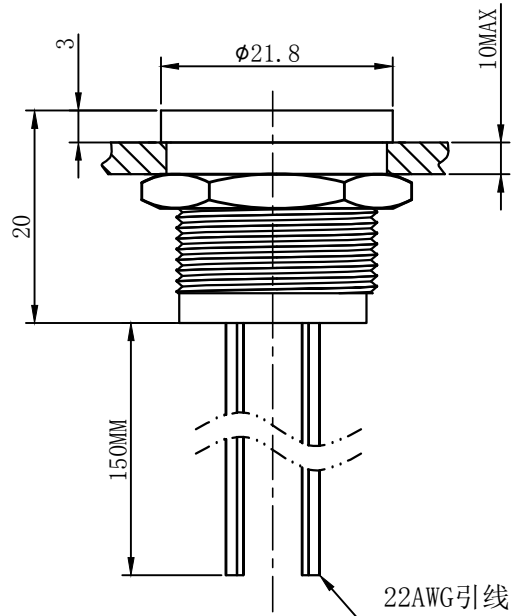


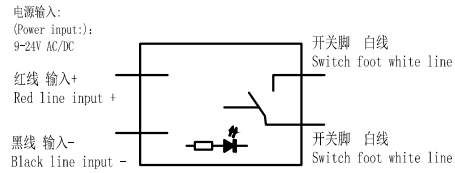
UNIT: mm (毫米)

HBAN

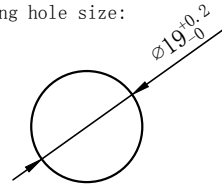
红波



开关结构说明: Switch structure description:



安装孔尺寸: Mounting hole size:



性能要求:

Performance requirements:

- 防护等级: IP68、IK09;
Protection grade: IP68、IK09;
- 接触电阻: $\leq 50m\Omega$;
Contact resistance: $\leq 50m\Omega$;
- 脉冲时间: $\leq 50ms$;
Pulse time: $\leq 50ms$;
- 寿命: 电气部分在额定负载下动作1000万次无异常。
Life: electrical part: operate 1000,000 times under rated load without any abnormality.

技术要求:

Technical requirements:

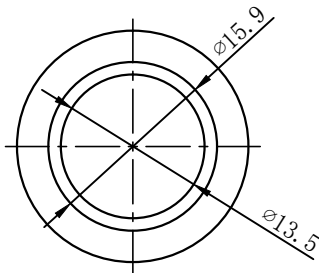
- 表面光洁, 平整无毛刺;
The surface is smooth and smooth without burr;
- 参数/批次字迹清晰, 无错位;
Clear handwriting of parameters/batches without any dislocation;
- 额定电压: $I_{th}: 200mA$ $U_i: 24V/DC$;
Rated voltage: $200mA$ $U_i: 24V/DC$;
- 工作环境温度: $-40^\circ C \sim +70^\circ C$;
Working environment temperature: $-40^\circ C \sim +70^\circ C$;
- 电气功能: 脉冲; 自锁;
Electrical function: Pulse; Since the lock;
- 动作行程: 无;
Movement stroke: There is no;
- 连接形式: 焊接导线;
Connection form: welding wire;
- 拧紧力矩: $5 \sim 14Nm$;
Tightening torque: $5 \sim 14nm$;
- 开关组合: 1NO; 1NC;
Switch combination: 1NO; 1NC;
- 外观材料: PC/不锈钢; PC/铝合金;
Appearance material: PC/stainless steel; PC/Aluminum alloy;
- 未标注公差按照GB/T 1804-m级。
Unmarked tolerance shall be in accordance with GB/T 1804-f class.
- 灯珠参数: 额定电压: 6V/12V/24V; 其它电压可定制;
额定电流: $\leq 20mA$;
Lamp bead parameters: rated voltage :6V/12V/24V;
Other voltages can be customized;
Rated current: $\leq 20mA$
- 灯珠颜色: 红/绿/黄/橙/蓝/白;
Color: red/green/yellow/orange/blue/white
- 灯珠寿命: 50000小时。
Led life: 50000 hours.

描 图

描 校

底 图 号

装 订 号



标记	处数	更改文件号	签字	日期	名称(TITLE): M19 metal electronic switch
DR. 制图	APPD. 审核	SCALE. 比例	countersign. 会签	Date. 日期	M19金属电子开关
倪力晓	陈秋霞	1.5:1		2020.3.17	图号(DWG NO):
PW. 单重		P. 页码	第1页 共1页 (1/1)		SW-PS19-10E/Y