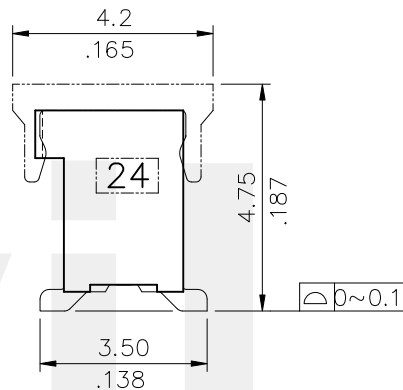
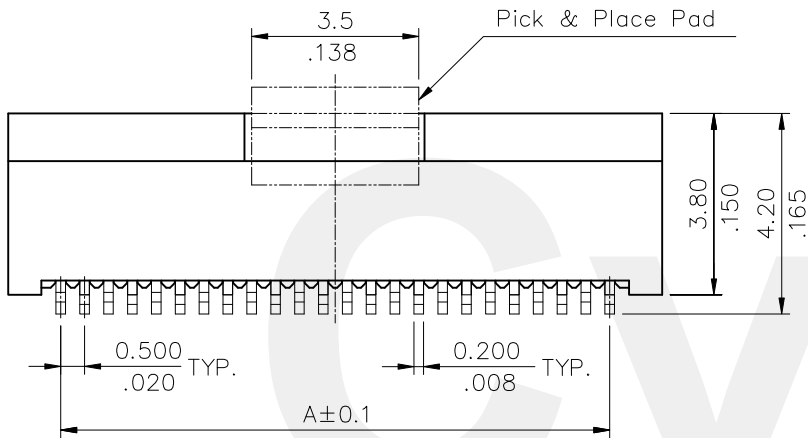


DETAIL "A-A"



Material :

\* Body : NYLON 6T UL 94V-0,  
Color Nature

\* Contact : Phosphor Bronze

A = 0.50 x No. of Spaces

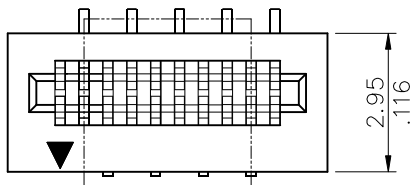
B = A + 2.2

C = A + 1.1

Ordering Code

CF24 \*\* \* V 0 \* \* -LF  
① ② ③ ④ ⑤ ⑥ ⑦ ⑧

- ① Series No.
- ② Contacts: 04 To 50
- ③ Plating code: 1= 3.05μm(120μ") Min. Matte Tin  
over 0.76μm(30μ") Nickel  
2= Gold flash plated  
over 1.27μm(50μ") Nickel
- ④ Contact style: V= Vertical Type
- ⑤ Color: 0= Nature
- ⑥ Packing Type: R= Tape & Reel  
T= Tube Packing
- ⑦ Other options: 0= With PAD (Standard)  
N= Without PAD
- ⑧ -LF= For Lead Free IR Processes



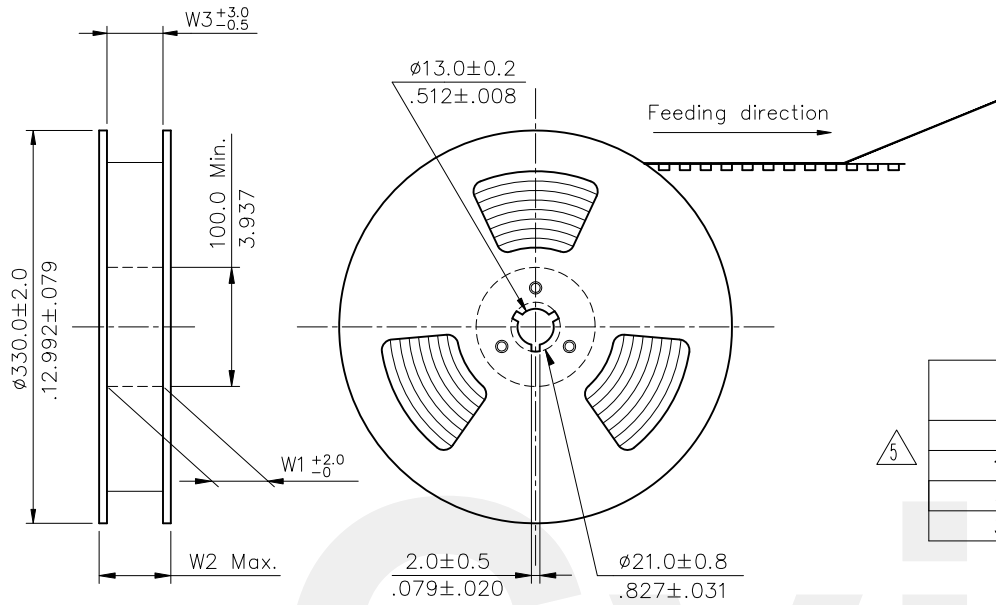
4~9PIN

Lead Free Process

RoHS Compliant

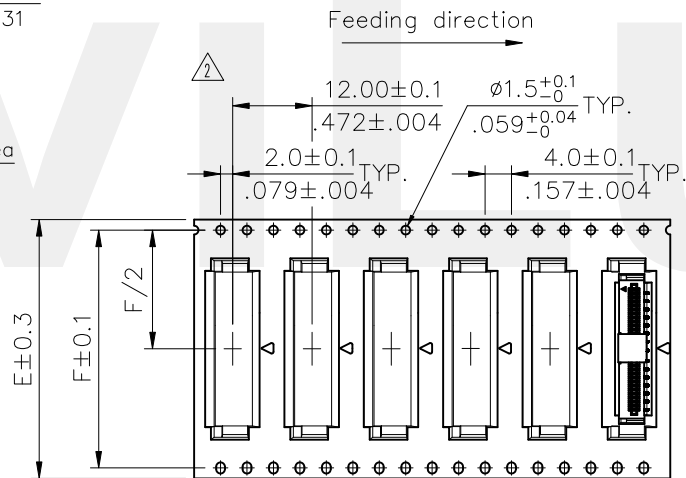
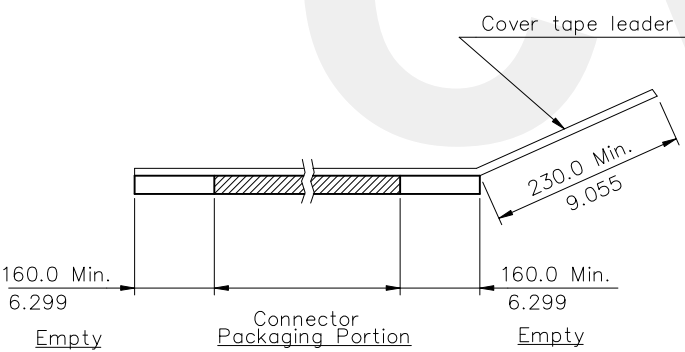
⑤	Karen	9/01-21'	ECNT121210/ECRB121030			DATE	UNIT: mm / inch	TITLE: 0.50mm(.031") LIF FFC/FPC VERTICAL TYPE SURFACE MOUNT CONNECTOR	瀚荃股份有限公司 CviLux Corporation			
④	Enya	10/24-13'	ECNT113082/ECRB113023		DRAWN BY: Karen	9/1-21'	TOLERANCE UNLESS OTHERWISE SPECIFIED			MATERIAL:	DRAWING NO. CF2403SF	PART NO. CF24***V0**-LF
③	Enya	7/1-13'	ECNT113001		ENGINEER: Sun	9/2-21'	.X ± 0.15/.006 X' ± 1'				FINISH:	SCALE 6 / 1
②	Sandy	10/13-09'	ECN09493		CHECKED BY: Eisley	9/3-21'	.XX ± 0.10/.004 .X' ±					
SYM	NAME	DATE	REVISIONS		APPROVED BY: Eisley	9/3-21'	.XXX ± 0.05/.002 .XX' ±					



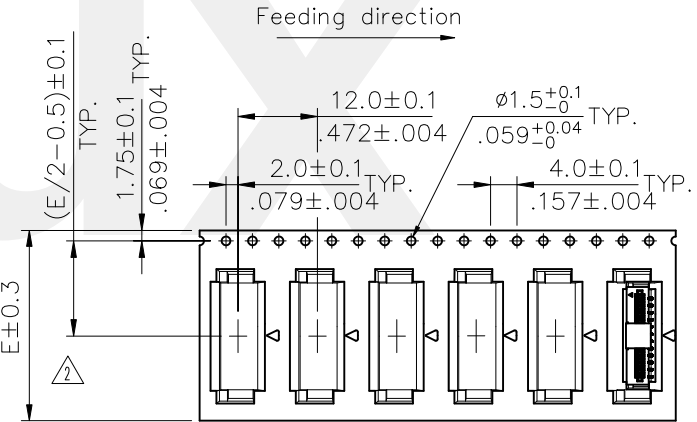


- NOTES:
1. 10 sprocket hole pitch cumulative tolerance  $\pm 0.20$  .
  2. Carrier camber is within 1 mm in 250 mm.
  3. Material : Clear,Transparent Polystyrene Alloy (UP-6000).
  4. All dimensions meet EIA-481 requirements.
  5. Thickness :  $0.40 \pm 0.05$ mm.
  6. Packing length per 22" reel : 98.5 Meters.
  7. Component load per 13" reel : 1000 pcs.

Circuits	Dimension					Packing (Reel/Carton)
	E	F	W1	W2	W3	
4-10	16.0(.630)	—	16.5(.650)	22.5(.886)	16.5(.650)	11
11-30	24.0(.945)	—	24.5(.965)	30.5(1.200)	24.5(.965)	9
31-38	32.0(1.260)	28.40(1.118)	32.5(1.280)	38.5(1.516)	32.5(1.280)	7
39-50	44.0(1.732)	40.40(1.596)	44.5(1.752)	50.5(1.988)	44.5(1.752)	5



WIDTH : 32, 44 mm Carrier



WIDTH : 16, 24 mm Carrier

RoHS Compliant

5	Karen	9/01-21'	ECNT121210/ECRB121030			DATE	UNIT: mm / inch	TITLE: 0.50mm(.031") LIF FFC/FPC VERTICAL TYPE SURFACE MOUNT CONNECTOR	瀚荃股份有限公司 CviLux Corporation
4	Enya	10/24-13'	ECNT113082/ECRB113023		DRAWN BY: Karen	9/1-21'	TOLERANCE UNLESS OTHERWISE SPECIFIED		
3	Enya	7/1-13'	ECNT113001		ENGINEER: Sun	9/2-21'	.X ±      X' ± 1'	FINISH:	
2	Sandy	10/13-09'	ECN09493		CHECKED BY: Eisley	9/3-21'	.XX ±     X' ±	DRAWING NO. CF2403SF	PART NO. CF24***V0**—LF
SYM	NAME	DATE	REVISIONS		APPROVED BY: Eisley	9/3-21'	.XXX ±    XX' ±	SCALE	SHEET 3 OF 3