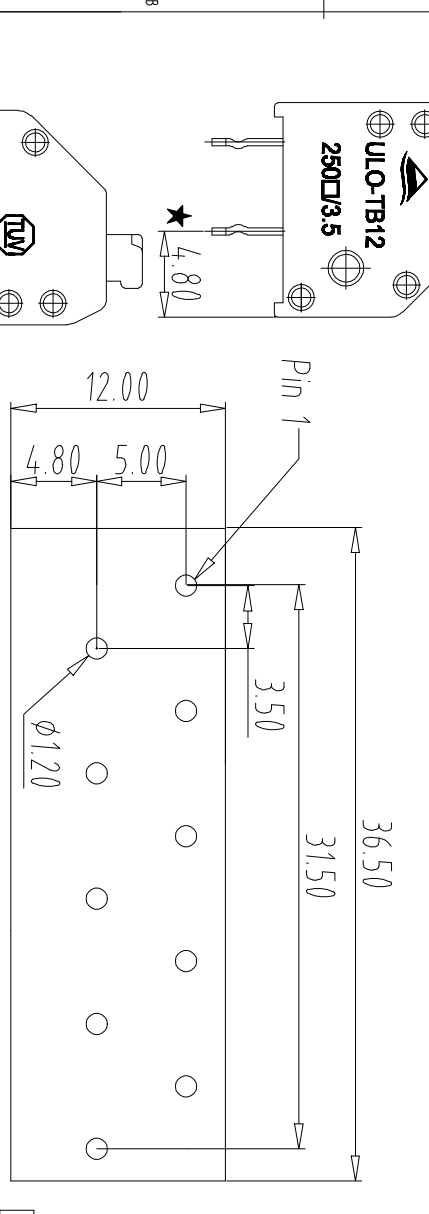
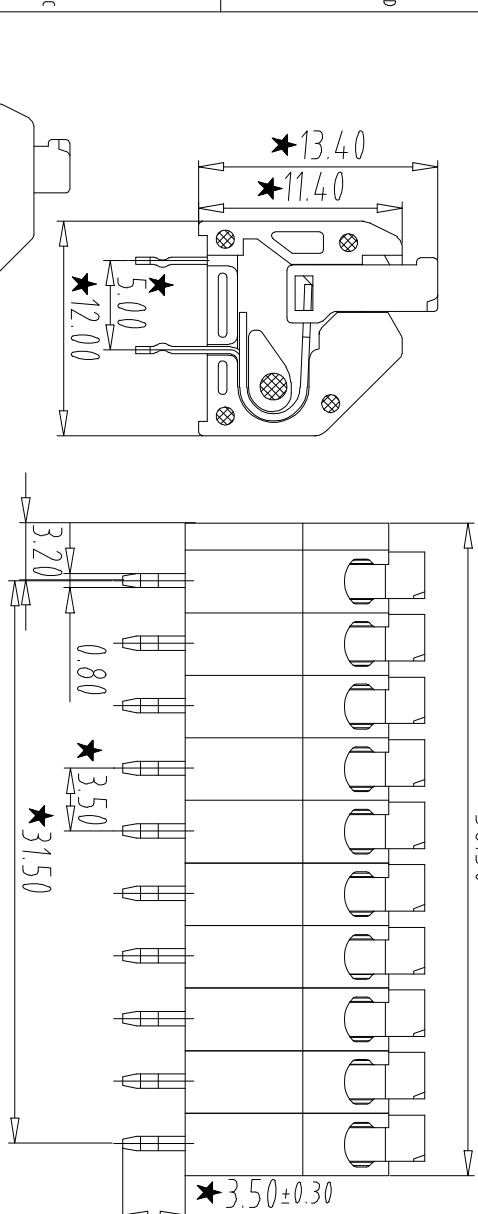


REV	ECN NO.	CONTENT	CHK	DATE
V0.0		初稿	ZCP	2016.11.24



**PCB LAYOUT**

Total Pitch Tolerances		Nominal dimension range	
over	in	over	in
0	0	0	0
30	53	30	53
53	70	70	90
70	90	90	115
90	115	115	150
115	150	150	200
150	200	200	250
200	250	250	320
250	320	320	340
320	340	340	340
340	340	340	340

over	in	over	in
±0.18	±0.20	±0.25	±0.3
±0.3	±0.35	±0.44	±0.55
±0.70	±0.75	±0.20	±0.25
±0.25	±0.30	±0.35	±0.44
±0.55	±0.70	±0.80	±0.90
0.2	0.3	0.3	0.3
0.2	0.3	0.2	0.3
0.3	0.3	0.2	0.3
0.5	0.5	0.5	0.5

NINGBO ULIO ELECTRONICS CO.,LTD

REV:1.0

- NOTES:
- Rating: <math><UL></UL></math> 300V/10A  
<math><IEC></IEC></math> 250V/10.5A
  - Poles: 01-24P
  - Insulation Withstands Voltage: AC2000V/1 Min
  - Insulation Resistance: 500M $\Omega$  at DC500V
  - Using Temperature Range: -40°C/+115°C
  - Max soldering : +250° for SS
  - RoHS Compliance.
  - Suitable Electric Wire: 28-16AWG(U) 0.2-1.5mm<sup>2</sup> (IEC)
  - With" ★ "is important dimension

How to order  
**UL0-TB12 - 250A/3.5 - 10P -1 0 0 0A**

Certificate Factory poles color: Customer requirements  
 Series NO. Code

2:Blue  
 3:Black  
 4:Green  
 5:Orange  
 6:Red  
 7:transparent  
 8:Yellow  
 9:White

5	SHORT-PIN	300TB0020	N/2	Phosphor bronze	Tin Plated
4	LONG-PIN	300TB0010	N/2	Phosphor bronze	Tin Plated
3	LEVER	300D0Y00A	N	PA66	UL94V-0
2	Cover	300IC0Y00A	1	PA66	UL94V-0
1	Housing	300IA0YXXA	N	PA66	UL94V-0
DWG	Liulian	DATE	19.10.25	UNITS	MM
CHK		DATE		SCALE	1:1
APP		DATE		SHEET/OF	A4
NINGBO ULIO ELECTRONICS CO.,LTD 宁波欧路电子有限公司				NAME	UL0-TB12-250A/3.5-10P-1000A
				DWGNO	UL0TB12Y000A