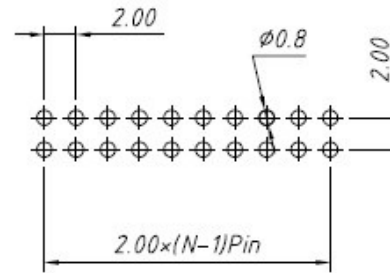
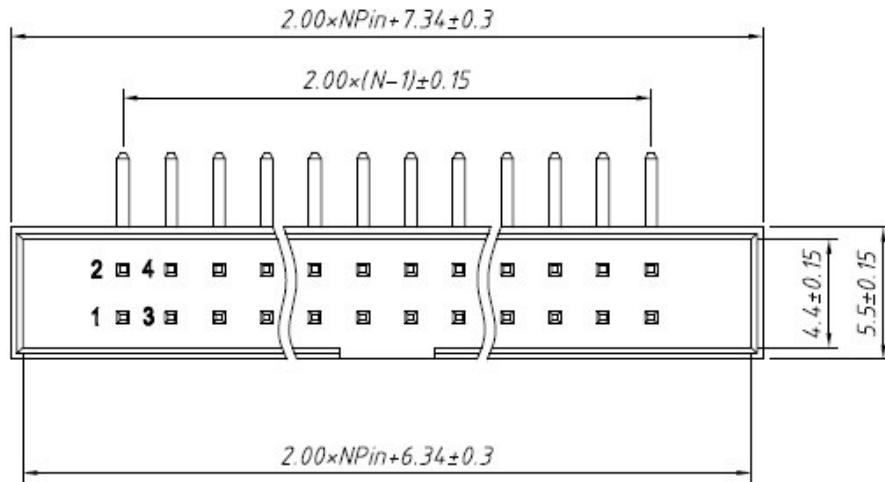


1  
RoHS Compliance

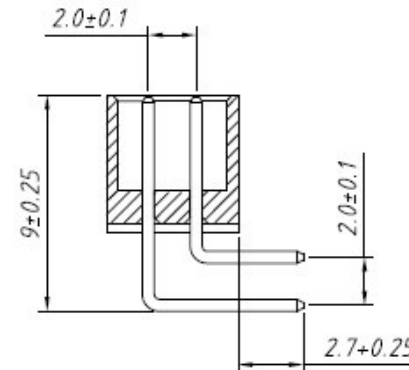
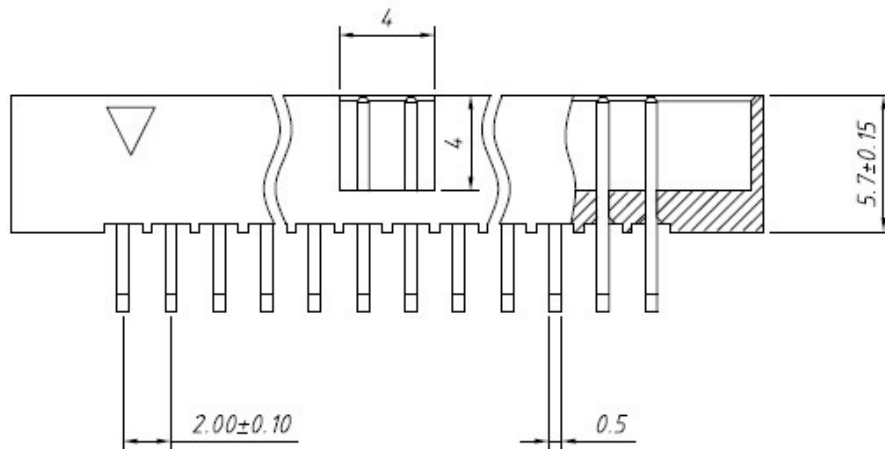


Material:  
Housing: PA6T, UL94V-0  
Contact: Brass  
Plating: Gold plated

Electrical Characteristics:  
Rated Current: 1.5AMP  
Contact Resistance: 20m $\Omega$  Max  
Withstand Voltage: 400V AC/DC  
Insulator Resistance: 800M $\Omega$  Min

Recommended P.C.B Layout (Top Side)  
(PCB BOARD TOLERANCE  $\pm 0.05$ )

Mechanical  
Operating Temperature:  $-40^{\circ}\text{C} \sim +105^{\circ}\text{C}$   
Max. Processing Temp: 230 $^{\circ}\text{C}$  for 30-60 seconds (260 $^{\circ}\text{C}$  for 10 seconds)



ANGLE TOLERANCE	PROJECTION	Description:
$\pm 3^{\circ}$		2.00mm Pitch Box Header Connector
GENERAL TOLERANCE	UNITS	mm
x.x	$\pm 0.30$	SHEET SIZE A4
x.xx	$\pm 0.20$	Draw: Daniel 2018-07-10
x.xxx	$\pm 0.10$	Check: Daniel 2018-07-10

CONNTHERM