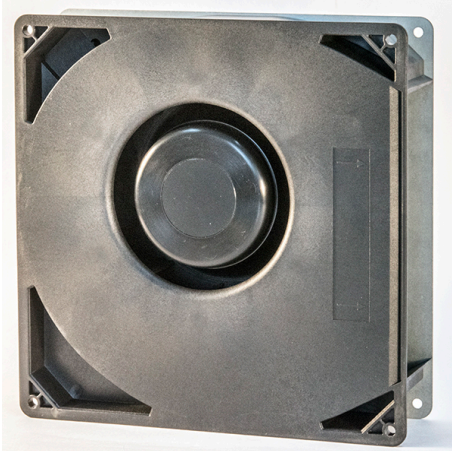


AB

22056

220x220x56mm(8.66"x8.66"x2.2")



HOUSING	Spiral Housing of Fiberglass Reinforced Polycarbonate Housing Base of Galvanized Steel Plate
IMPELLER	Fiberglass Reinforced polycarbonate
BEARING	Ball or Sleeve
OPERATING TEMPERATURE	-10°C to + 70°C
INSULATION	Class A
OPERATING VOLTAGE RANGE	85 VAC to 125 VAC for 115V Type 185 VAC to 245 VAC for 230V Type
DIELECTRIC STRENGTH	5mA Max. at 1500 VAC for 1 second
INSULATION RESISTANCE	10M Ω min. @500 VDC
MOTOR TYPE	AC Induction Capacitor Motor
SAFETY	Thermally Protected
TERMINATION	Lead Wire
WEIGHT	1.75kg
ROHS COMPLIANCE	Yes
IP LEVEL	IP21 (Special IP Rating On Request)

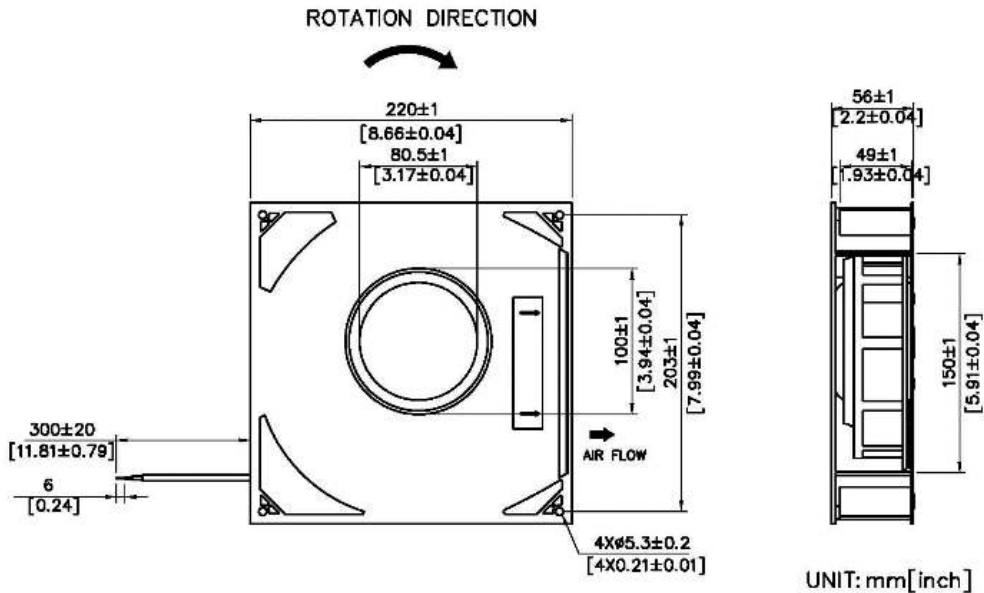
220

 mm

SPECIFICATION

MODEL NO.	RATED VOLTAGE(V)	RATED CURRENT(A)	INPUT POWER(W)	SPEED (RPM)	MAX. AIR PRESSURE		MAX. AIR FLOW		NOISE dB(A) @1M
					inchH2O	mmH2O	CFM	m3/min	
AB22056V1HBL	115	0.34/0.42	37/45	2900/3300	1.34/1.87	34.03/47.50	103/117	2.92/3.32	64/66
AB22056V2HBL	230	0.16/0.20	36/44	2900/3300	1.34/1.87	34.03/47.50	102.4/125	2.9/3.54	64/66

DIMENSION



SYMBANG

AIR PERFORMANCE

