

Product Data Sheet 3956

ebmpapst

The engineer's choice



3956

INDEX

1 General 3

2 Mechanics 3

 2.1 GENERAL..... 3

 2.2 CONNECTIONS 4

3 Operating Data 5

 3.1 ELECTRICAL OPERATING DATA 5

 3.2 ELECTRICAL FEATURES 5

 3.3 AERODYNAMICS 5

 3.4 SOUND DATA 6

4 Environment..... 6

 4.1 GENERAL..... 6

 4.2 CLIMATIC REQUIREMENTS*)..... 6

5 Safety 7

 5.1 ELECTRICAL SAFETY 7

 5.2 APPROVAL TESTS 7

6 Reliability..... 7

 6.1 GENERAL..... 7

1 General

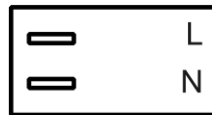
Fan type	Fan
Rotating direction looking at rotor	Counterclockwise
Airflow direction	Air outlet over struts
Bearing system	Ball bearing
Mounting position - shaft	Any
Balancing grade	40,0

2 Mechanics**2.1 General**

Width	92,0 mm	
Height	92,0 mm	
Depth	25,0 mm	
Diameter	0,0 mm	
Mass	0,280 kg	
Housing material	Metal	
Impeller material	Plastic	

2.2 Connections

Electrical connection	Plug	
Lead wire length	See drawing	
Tolerance		
Tube length	See drawing	
Tolerance		
Wire size (AWG)		
Insulation diameter		
Plug	See drawing	
Contact	See drawing	



3 Operating Data

3.1 Electrical Operating Data

Measurement conditions: Normal air density = 1,2 kg/m³; Temperature 23°C +/- 3°C; Motor axis horizontal; warm-up time before measuring 5 minutes (unless otherwise specified).
In the intake and outlet area should not be any solid obstruction within 0,5 m.

$\Delta p = 0$: corresp. to free air flow (see chapter aerodynamics)

I: corresp. to RMS line current

Features	Condition	Symbol	Values	
Frequency	$\Delta p = 0$	f	50 Hz	60 Hz
Nominal voltage	$\Delta p = 0$	U_N	230 V	230 V
Tolerance			+ 6 % - 10 %	+ 6 % - 10 %
Power consumption	$\Delta p = 0$	P	11 W	9 W
Tolerance			+ 5 % - 10 %	+ 5 % - 10 %
Speed	$\Delta p = 0$	n	2.650 1/min	3.150 1/min
Tolerance			+/- 3 %	+/- 3 %

3.2 Electrical Features

Locked rotor protection	Impedance
Locked rotor current at	

3.3 Aerodynamics

Measurement conditions: Measured with a double chamber intake rig acc. to DIN EN ISO 5801.
Normal air density = 1,2 kg/m³; Temperature 23°C +/- 3°C;
In the intake and outlet area should not be any solid obstruction within 0,5 m. Motor shaft horizontal.
The information is only valid under the specified test conditions and may be changed by the installation conditions. If there are deviations from the standard test conditions, the characteristic values must be checked under the installed conditions.

a.) Operation condition:

2.650 1/min at free air flow

Frequency: 50 Hz

Max. free-air flow ($\Delta p = 0 / \dot{V} = \max.$)	53,0 m ³ /h
Max. static pressure ($\Delta p = \max. / \dot{V} = 0$)	54 Pa

b.) Operation condition:

3.150 1/min at free air flow

Frequency: 60 Hz

Max. free-air flow ($\Delta p = 0 / \dot{V} = \max.$)	64,0 m ³ /h
Max. static pressure ($\Delta p = \max. / \dot{V} = 0$)	72 Pa

3.4 Sound Data

Measurement conditions: Sound pressure level: 1 meter distance between microphone and the air intake.
 Sound power level: Acc. to DIN 45635 part 38 (ISO 10302) Sound power level: Acc. to DIN 45635 part 38 (ISO 10302)
 Measured in a semianchoic chamber with a background noise level of $L_p(A) < 5 \text{ dB(A)}$
 For further measurement conditions see chapter aerodynamics.

a.) Operation condition:

2.650 1/min at free air flow

Frequency: 50 Hz

Optimal operating point	44,0 m ³ /h @ 12 Pa	
Sound power level at the optimal operating point	4,5 bel(A)	
Sound pressure level at free air flow, measured in rubber bands	32,0 dB(A)	

b.) Operation condition:

3.150 1/min at free air flow

Frequency: 60 Hz

Optimal operating point	46,0 m ³ /h @ 22 Pa	
Sound power level at the optimal operating point	5,0 bel(A)	
Sound pressure level at free air flow, measured in rubber bands	37,0 dB(A)	

4 Environment

4.1 General

Min. permitted ambient temperature TU min.	-40 °C / 50 Hz -40 °C / 60 Hz	
Max. permitted ambient temperature TU max.	80 °C / 50 Hz 80 °C / 60 Hz	
Min. permitted storage temperature TL min.	-40 °C	
Max. permitted storage temperature TL max.	80 °C	

4.2 Climatic Requirements *)

Humidity requirements	humid heat, constant; according to DIN EN 60068-2-78, 14 days	
Water exposure	None	
Dust requirements	None	
Salt fog requirements	None	

Permitted application area:

The product is intended for use in sheltered rooms with controlled temperature and controlled humidity. Directly exposure to water must be avoided.

Pollution degree 1 (according DIN EN 60664-1)

There is either no pollution or it occurs only dry, non-conductive pollution. The pollution has no negative impact.

5 Safety

5.1 Electrical Safety

Dielectric strength DIN EN 60950 (VDE 0805) and DIN EN 60335 (VDE 0700) A.) Type test Measuring conditions: After 48h of storage at 95% R.H. and 25°C. No arcing or breakdown is allowed! All connections together to ground.	1500 VAC / 1 Min.
B.) Routine test Measuring conditions: At indoor climate. No arcing or breakdown is allowed! All connections together to ground.	1500 VAC / 1 Sec.
Isolation resistance Measuring conditions: After 48h of storage at 95% R.H. and 25°C measured with U=500 VDC for 1 min.	RI > 50 MOhm
Clearance / creepage distance	2,0 mm / 1,8 mm
Protection class	I

5.2 Approval Tests

CE	EC Declaration of Conformity	Yes
EAC	Eurasian Conformity	Yes
UL	Underwriters Laboratories	Yes / UL507, Electric Fans
VDE	Association for Electrical, Electronic and Information Technologies	Yes / Approval acc. to EN 60950 (VDE 0805) - Information technology equipment
CSA	Canadian Standards Association	Yes / C22.2 No. 113 Fans and Ventilators
CCC	China Compulsory Certification	Yes / GB 12350 Safety Requirements for small Power Motors

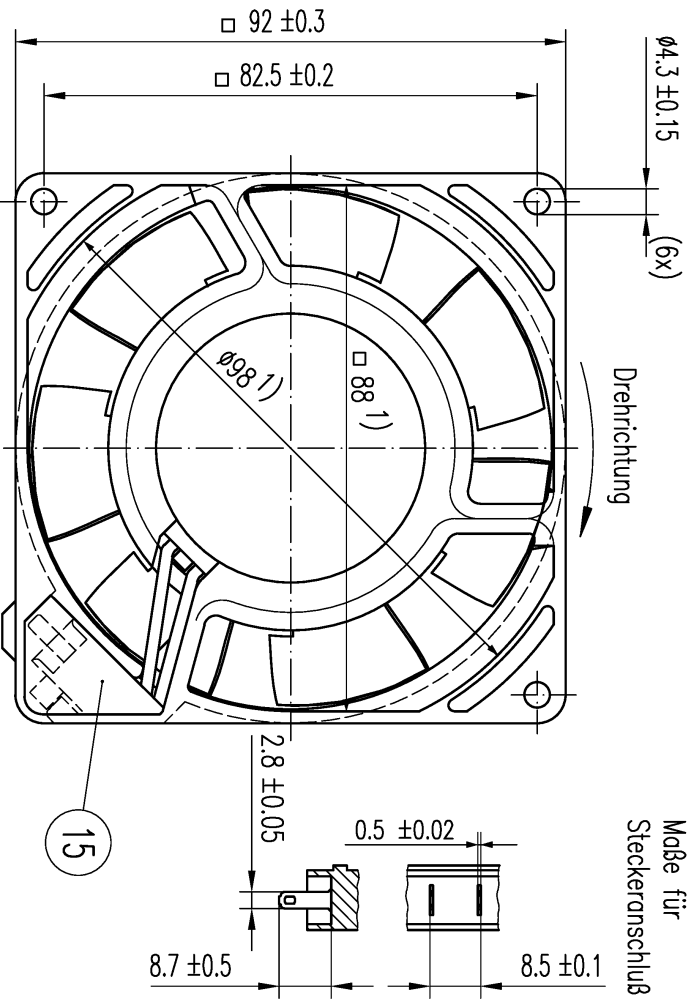
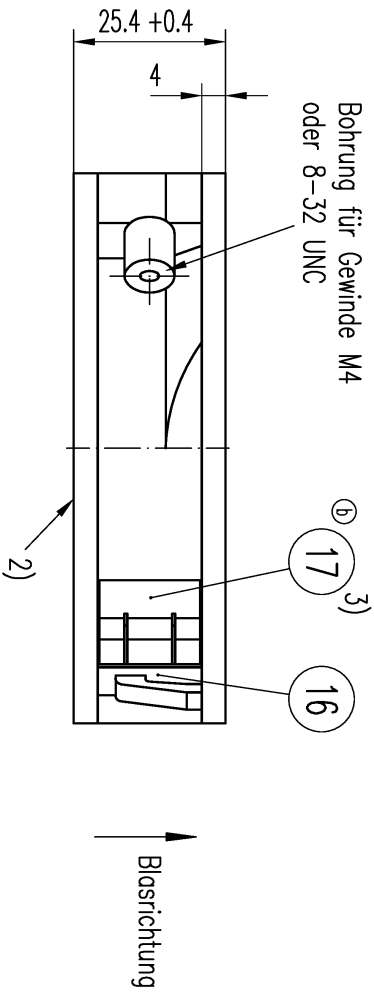
The approval tests are observed to:

U approval max.: 230 V / f: 50 and 60 Hz @ TU approval max.: 80 °C

6 Reliability

6.1 General

Life expectancy L10 at TU = 40 °C	55.000 h / 50 Hz 60.000 h / 60 Hz	
Life expectancy L10 at TU max.	20.000 h / 50 Hz 22.500 h / 60 Hz	



- Axialspiel bei
- Kugellagerung (K): 0 (mit Federausgleich)
 - Gleitlagerung (G): 0.1 – 0.6
- 1) Maße für Montagewand
 2) Rotorüberstand bis max. 0.4mm möglich
 3) mit Pos.22 geklebt

Allgemeintoleranzen		Artikel	
g		gilt für:	928 2708 100(K) 3956
f			928 2708 101(K) 3906
e			928 2708 102(K) 3956 L
d			928 2708 103(K) 3906 L
			928 2708 104(K) 3956 M
			928 2708 105(K) 3906 M
			928 2708 113(G) 3950 M ©
			928 2708 114(G) 3950
			928 2708 115(G) 3950 L
			928 2708 116(G) 3900
			928 2708 120(K) 3956 R (F)
			928 2708 122(G) 3900 L (F)
			928 2708 123(G) 3900 M (F)

Allgemeintoleranzen		Artikel	
g		gilt für:	928 2708 100(K) 3956
f			928 2708 101(K) 3906
e			928 2708 102(K) 3956 L
d			928 2708 103(K) 3906 L
			928 2708 104(K) 3956 M
			928 2708 105(K) 3906 M
			928 2708 113(G) 3950 M ©
			928 2708 114(G) 3950
			928 2708 115(G) 3950 L
			928 2708 116(G) 3900
			928 2708 120(K) 3956 R (F)
			928 2708 122(G) 3900 L (F)
			928 2708 123(G) 3900 M (F)

516
 210
 232
 235
 240
 ...