

A

17238

172x151x38mm(6.8"x5.9"x1.5")



HOUSING	Aluminum Die Casting, Painted Black
IMPELLER	Thermoplastic PBT, UL94V-0
BEARING	Ball
OPERATING TEMPERATURE	-10°C to + 70°C
INSULATION	Class A
OPERATING VOLTAGE RANGE	85 VAC to 125 VAC for 115V Type 185 VAC to 245 VAC for 230V Type
DIELECTRIC STRENGTH	5mA Max. at 1500 VAC for 1 second
INSULATION RESISTANCE	10M Ω min. @500 VDC
MOTOR TYPE	AC Induction Capacitor Motor
SAFETY	Thermally Protected
TERMINATION	Terminals or Lead Wire
WEIGHT	693 g
ROHS COMPLIANCE	Yes
IP LEVEL	IP21(Special IP Rating On Request)

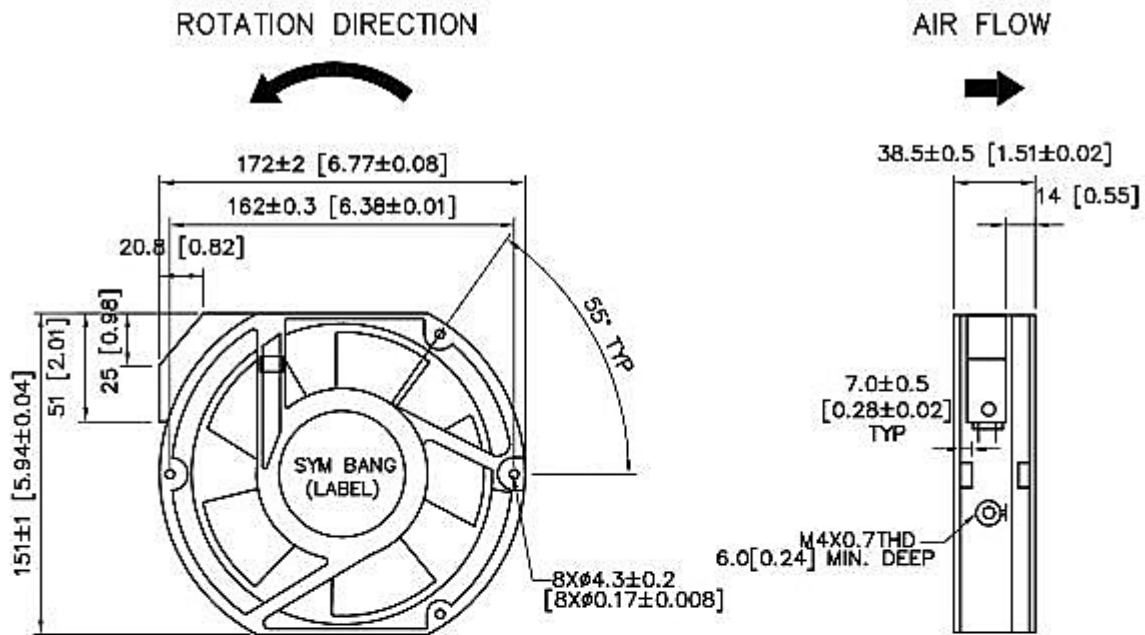
172mm

SPECIFICATION

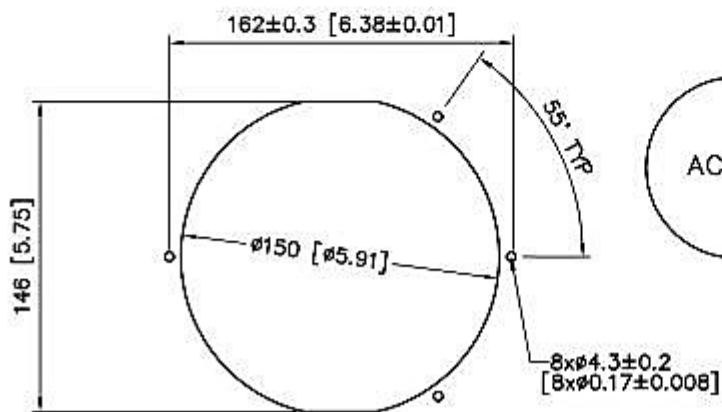
MODEL NO.	RATED VOLTAGE(V)	RATED CURRENT(A)	INPUT POWER(W)	SPEED (RPM)	MAX. AIR PRESSURE		MAX. AIR FLOW		NOISE dB(A) @1M
					inchH2O	mmH2O	CFM	m3/min	
A17238V1H	115	0.22/0.29	25/32	2800/3300	0.57/0.48	14.63/12.2	198/225	5.6/6.4	58/62
A17238V1XL	115	0.15/0.15	16/16	1400/1800	0.16/0.23	4.29/6.01	100/119	2.8/3.4	40/45
A17238V2H	230	0.11/0.14	25/31	2800/3300	0.57/0.48	14.63/12.2	198/229	5.6/6.5	58/62
A17238V2XL	230	0.06/0.07	14/13	1400/1800	0.16/0.23	4.29/6.01	99/117	2.8/3.3	40/45

SYMBANG

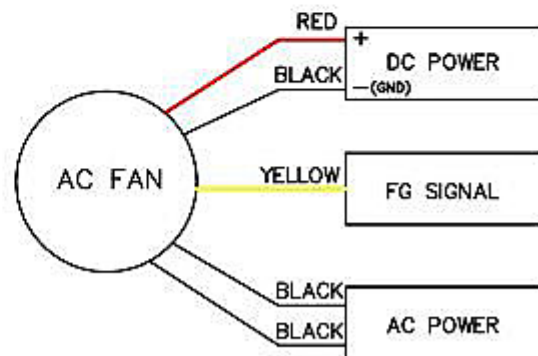
DIMENSION



Mounting Panel Cutout
Outlet Side & Inlet Side



Wiring Diagram



UNIT: mm[inch]

AIR PERFORMANCE

