

# A

# 15055-S

150x172x55mm(5.9"x6.77"x2.17")



HOUSING	Aluminum Die Casting, Painted Black
IMPELLER	Thermoplastic PBT, UL94V-0
BEARING	Ball
OPERATING TEMPERATURE	-10°C to + 70°C
INSULATION	Class A
OPERATING VOLTAGE RANGE	100 VAC to 120 VAC for 115V Type 200 VAC to 240 VAC for 230V Type
DIELECTRIC STRENGTH	5mA Max. at 1500 VAC for 1 second
INSULATION RESISTANCE	10M Ω min. @500 VDC
MOTOR TYPE	Shaded Pole Motor
SAFETY	Thermally Protected
TERMINATION	Lead Wire
WEIGHT	1 kg
ROHS COMPLIANCE	Yes
IP LEVEL	IP21 (Special IP Rating On Request)

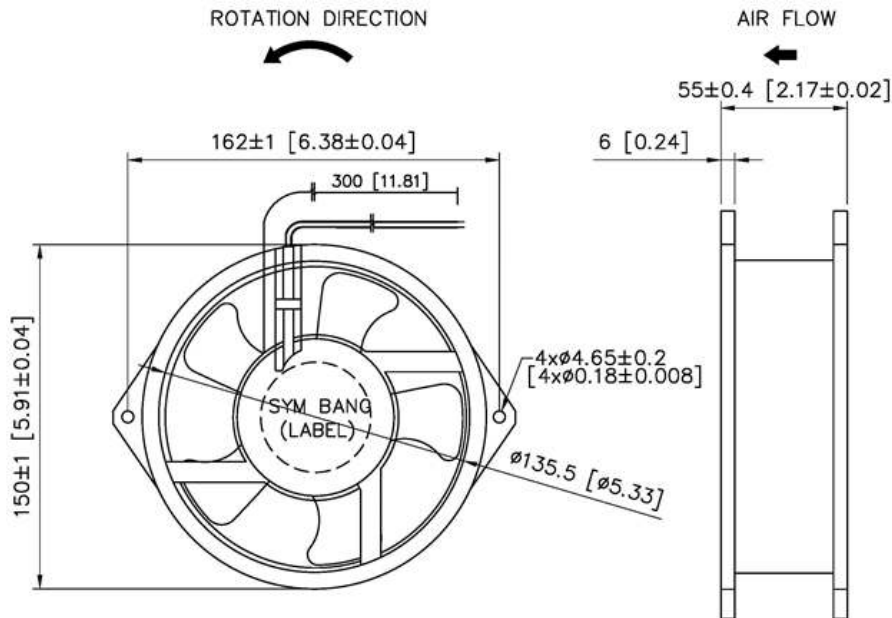
# 150

 mm

## SPECIFICATION

MODEL NO.	RATED VOLTAGE(V)	RATED CURRENT(A)	INPUT POWER(W)	SPEED (RPM)	MAX. AIR PRESSURE		MAX. AIR FLOW		NOISE dB(A) @1M
					inchH2O	mmH2O	CFM	m3/min	
A15055V1H-S	115	0.73/0.64	67/55	2600/2800	0.38/0.42	9.7/10.5	151/166	4.30/4.70	50
A15055V2H-S	230	0.30/0.26	55/45	2600/2800	0.38/0.42	9.7/10.5	151/166	4.30/4.70	50
A15055V24H-S	24	1.95/1.80	34/32	2530/2670	0.35/0.25	8.8/6.4	155/156	4.39/4.42	50

## DIMENSION



UNIT: mm[inch]

SYMBANG

# AIR PERFORMANCE

