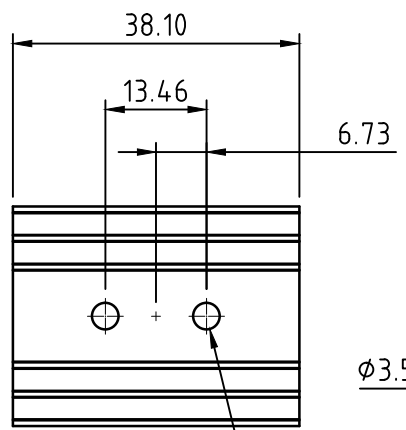
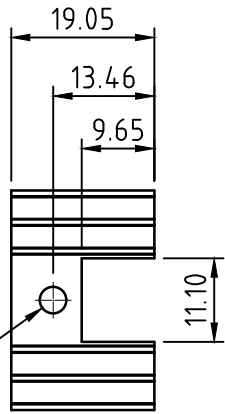


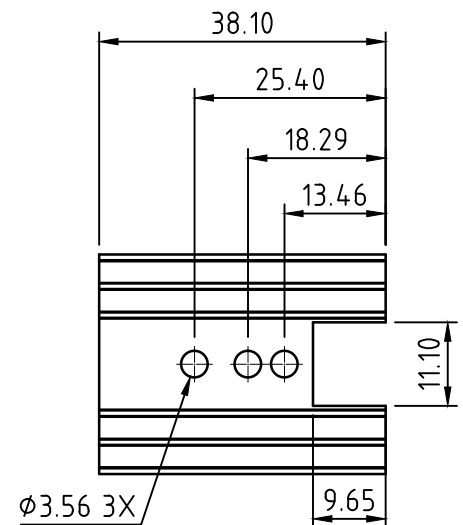
-1PP



-2PP



-3PP



-4PP

NOTE:  
 1. MATERIAL: AL 6063  
 2. FINISH: BLACK ANODIZED

THIRD ANGLE PROJECTION	UNLESS OTHERWISE SPEC. DIMENSIONS ARE IN MM TOLERANCES ON	龍德精密有限公司 LDMC Metal Stamping E-MAIL: lungde@lungder.com.tw LONG DER MACHINERY CO.,LTD.	
	DECIMAL: X± .XX±0.2 XXX±	ITEM HEAT SINK	
	ANGLE: ±	SCALE 1:1	REV 1
	MATERIAL: FINISH:	PART NO: LDM-EXT-7340	