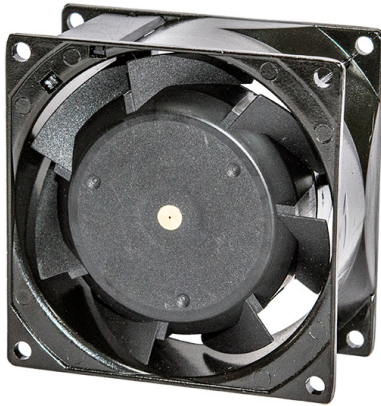


# A

# 8038-S

80x80x38mm(3.15"x3.15"x1.5")



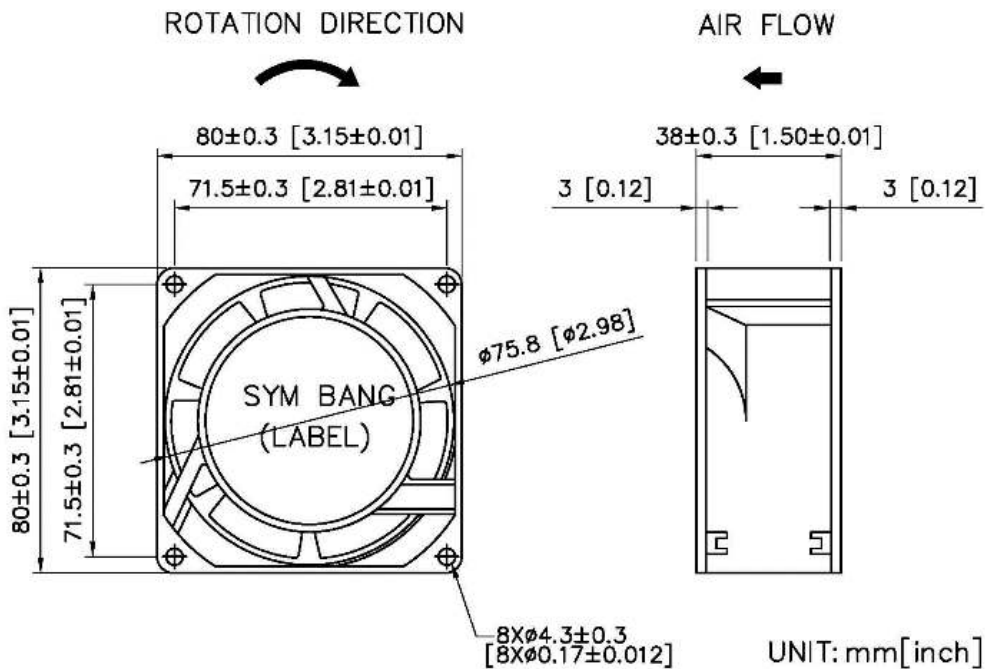
HOUSING	Aluminum Die Casting, Painted Black
IMPELLER	Thermoplastic PBT, UL94V-0
BEARING	Ball or Sleeve
OPERATING TEMPERATURE	-10°C to + 70°C
INSULATION	Class A
OPERATING VOLTAGE RANGE	100 VAC to 120 VAC for 115V Type 200 VAC to 240 VAC for 230V Type
DIELECTRIC STRENGTH	5mA Max. at 1500 VAC for 1 second
INSULATION RESISTANCE	10M Ω min. @500 VDC
MOTOR TYPE	Shaded Pole Motor
SAFETY	Impedance Protected
TERMINATION	Terminals or Lead Wire
WEIGHT	370 g
ROHS COMPLIANCE	Yes
ADDITIONAL FUNCTION	FG, RD
IP LEVEL	IP21 (Special IP Rating On Request)

# 80 mm

## SPECIFICATION

MODEL NO.	RATED VOLTAGE(V)	RATED CURRENT(A)	INPUT POWER(W)	SPEED (RPM)	MAX. AIR PRESSURE		MAX. AIR FLOW		NOISE dB(A) @1M
					inchH2O	mmH2O	CFM	m3/min	
A8038V1H-S	115	0.14/0.12	12.0/10.1	2700/3250	0.17/0.24	4.3/6.0	21/26	0.59/0.74	29
A8038V1M-S	115	0.06/0.06	6.2/5.6	2450/2700	0.12/0.15	3.2/3.8	20/23	0.56/0.65	22
A8038V2H-S	230	0.06/0.05	10.3/8.9	2700/3250	0.17/0.24	4.3/6.0	21/26	0.59/0.74	29
A8038V2M-S	230	0.03/0.03	4.9/4.6	2450/2700	0.12/0.15	3.2/3.8	20/23	0.56/0.65	22
A8038V2L-S	230	0.02/0.02	3.3/3.1	2200/2200	0.08/0.07	2.1/2.0	17/17	0.48/0.48	18
A8038V24H-S	24	0.65/0.60	16.2/15.3	2700/3250	0.17/0.24	4.3/6.0	21/26	0.59/0.74	29

## DIMENSION



SYMBANG

# AIR PERFORMANCE

