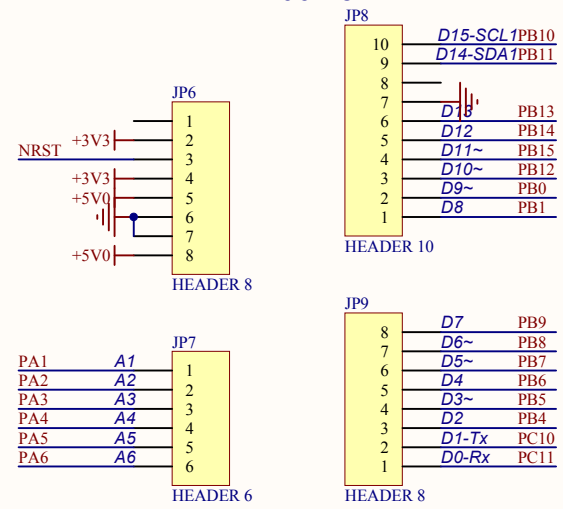
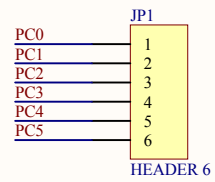


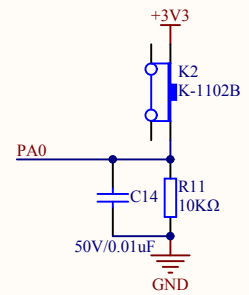
Arduino



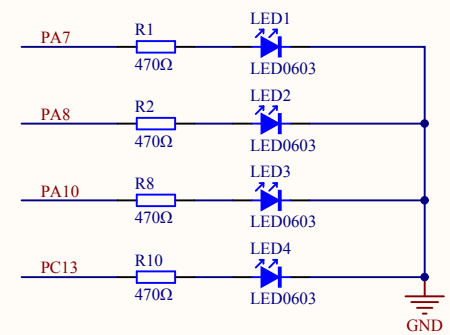
Extension Pin



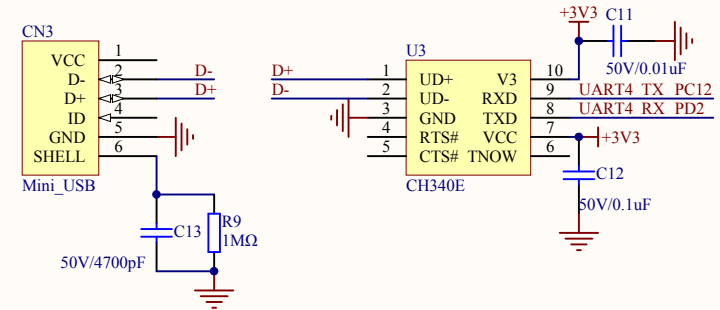
KEY



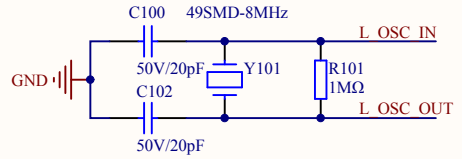
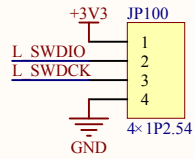
LED



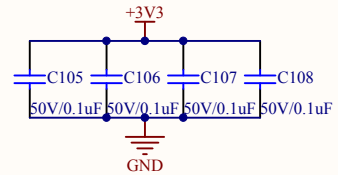
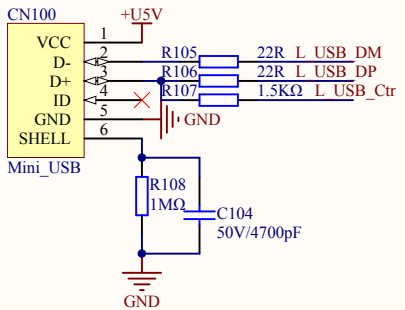
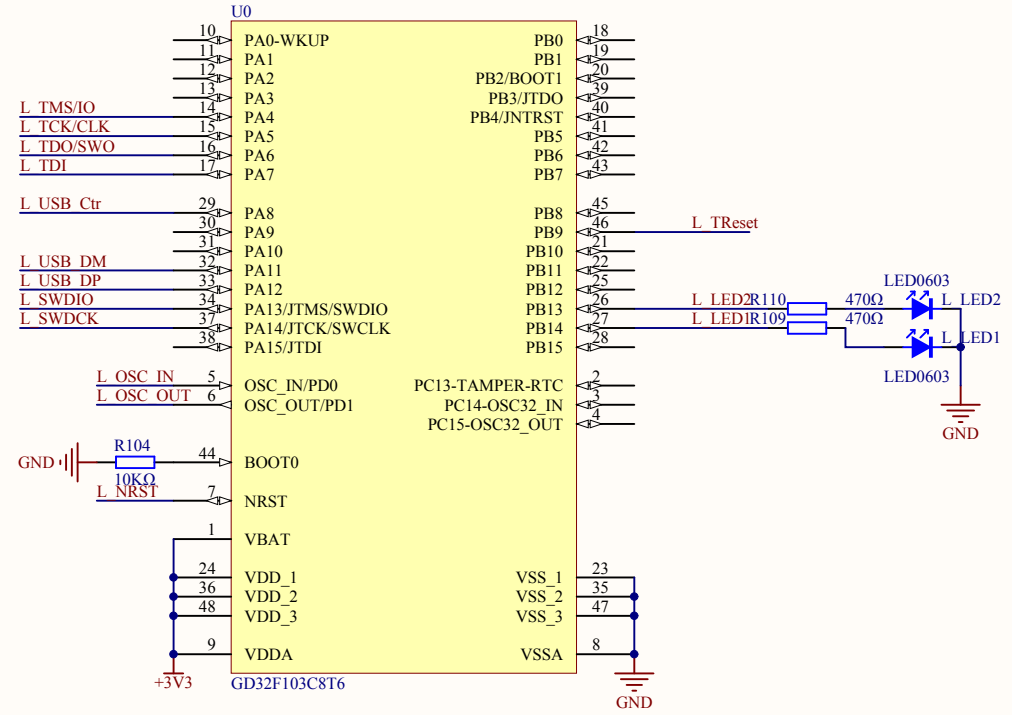
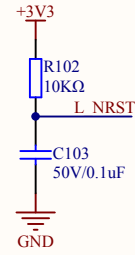
USART To USB



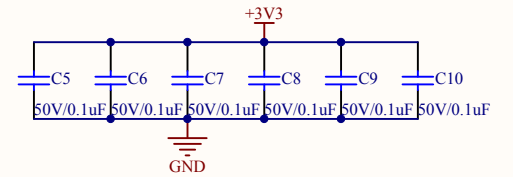
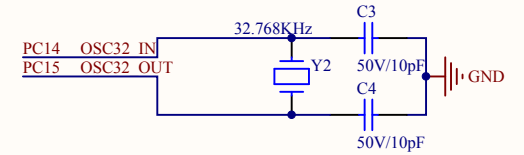
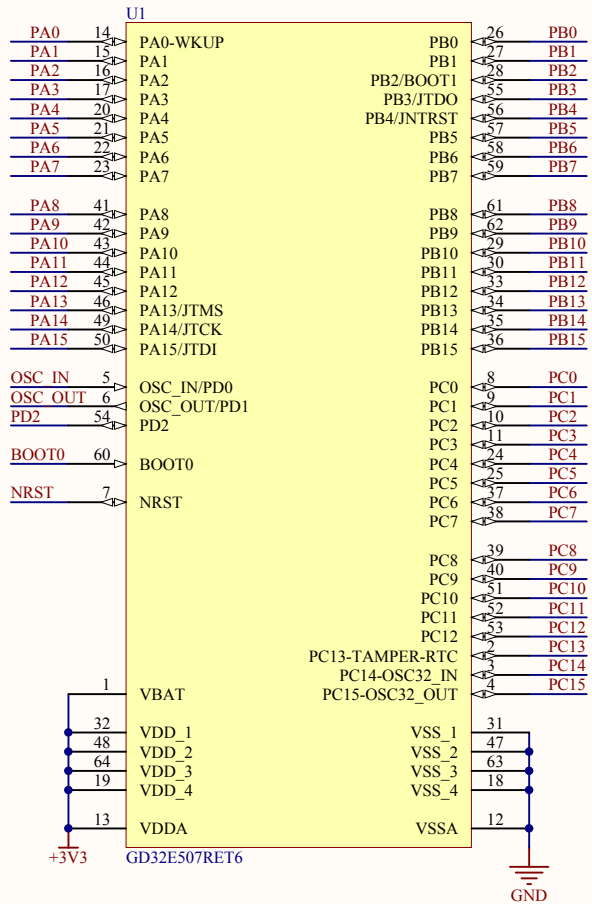
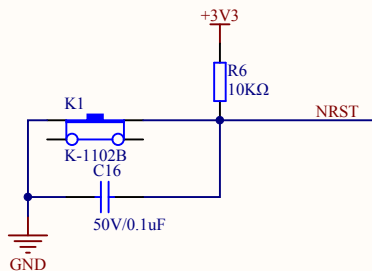
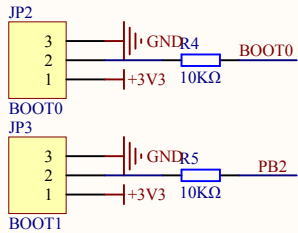
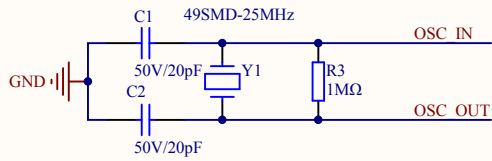
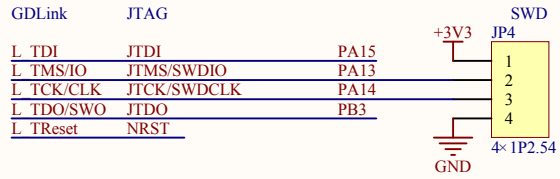
Company Name: GigaDevice		
File Name: Extension		
Revision: 1.0	Data: 2017-4	Author: XuFei



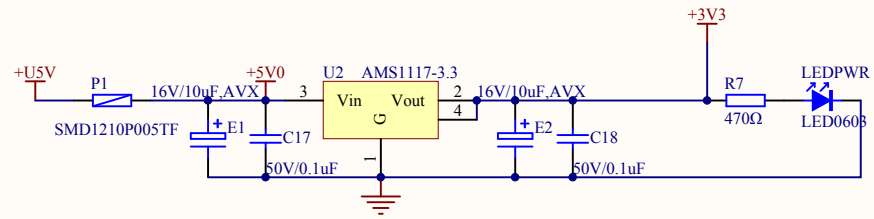
Reset



Company Name: GigaDevice		
File Name: GDLink		
Revision: 2.0	Data: 2020-5	Author: XuFei



Company Name: GigaDevice		
File Name: MCU		
Revision: 1.0	Data: 2020-5	Author: XuFei



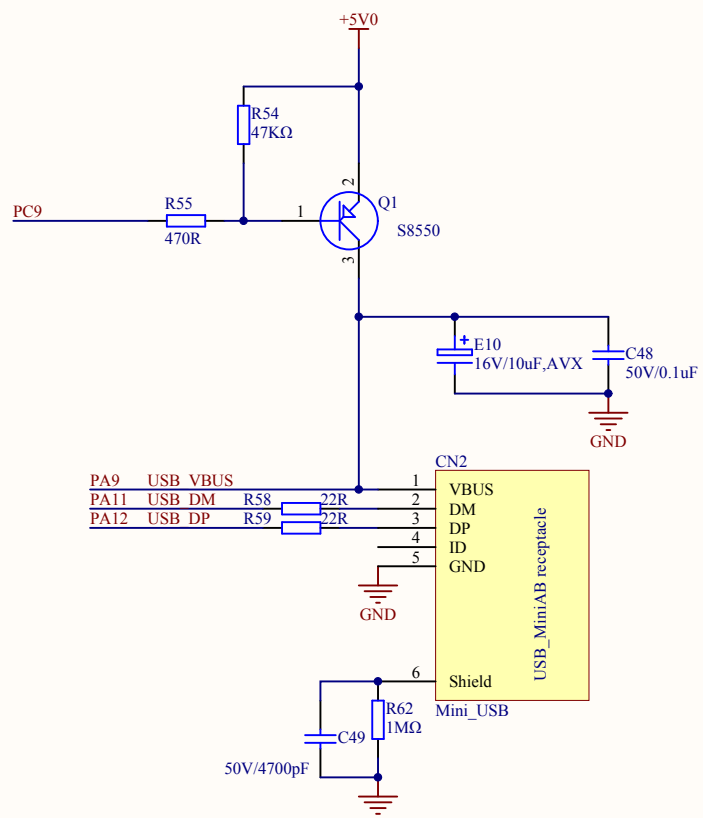
Company Name: GigaDevice

File Name: Power

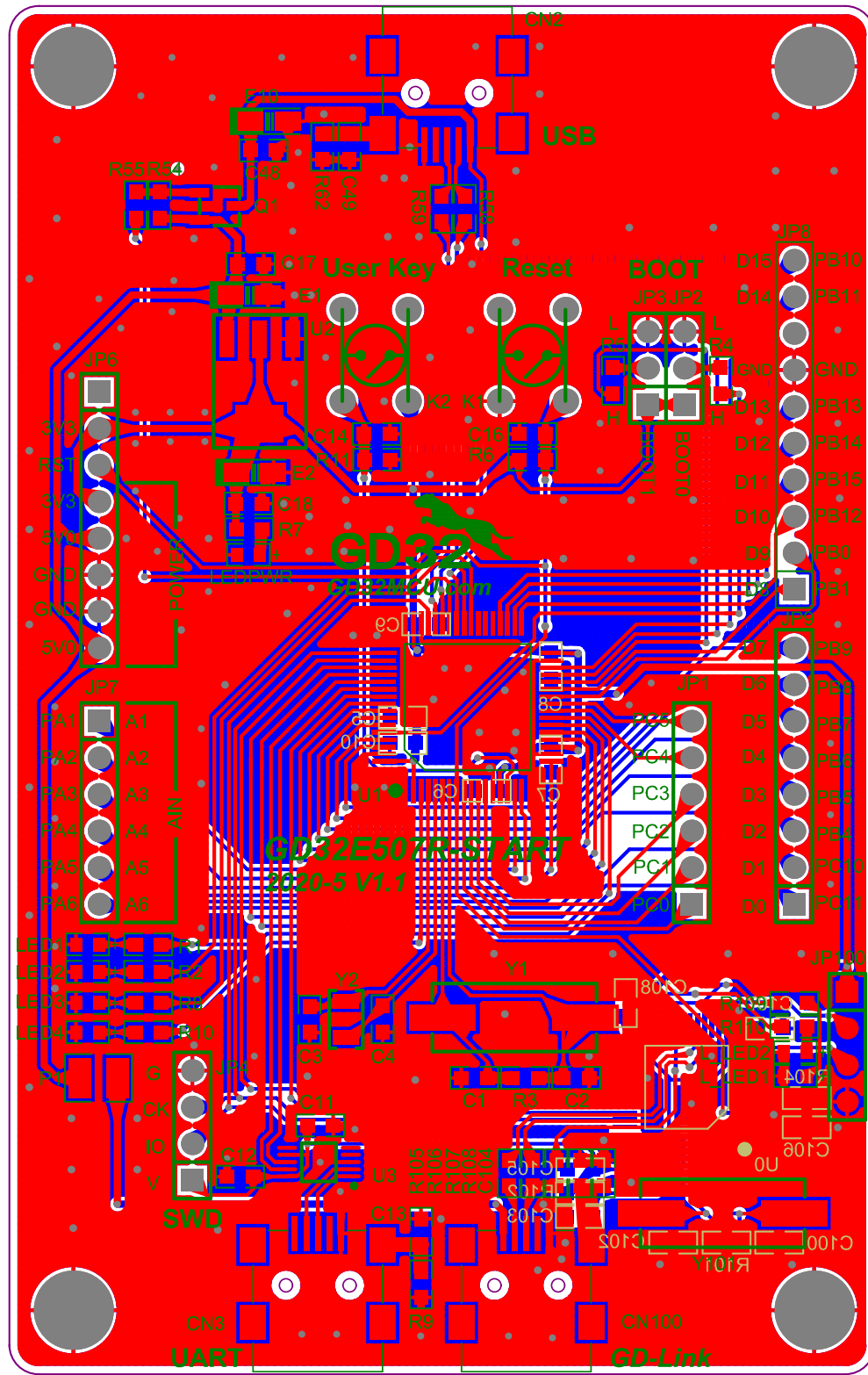
Revision: 1.0

Data: 2020-5

Author: XuFei



Company Name: GigaDevice		
File Name: USB		
Revision: 1.1	Data: 2020-5	Author: Xufei



GD32
GD32E507R-START

GD32E507R-START
2020-5 V1.1

USB

User Key

Reset

BOOT

SWD

UART

GD-Link

- D15 PB10
- D14 PB11
- GND GND
- D13 PB13
- D12 PB14
- D11 PB15
- D10 PB12
- D9 PB0
- D8 PB1
- D7 PB9
- D6 PB8
- D5 PB7
- D4 PE6
- D3 PE5
- D2 PE4
- D1 PC10
- D0 PC11

- LED4
- LED2
- LED3
- LED4

- LED2
- LED1

- PA1 A1
- PA2 A2
- PA3 A3
- PA4 A4
- PA5 A5
- PA6 A6

- PC5
- PC4
- PC3
- PC2
- PC1