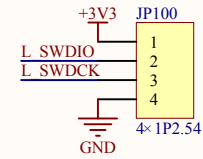
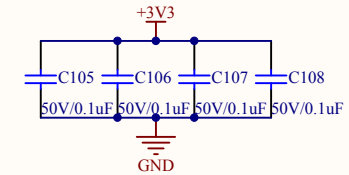
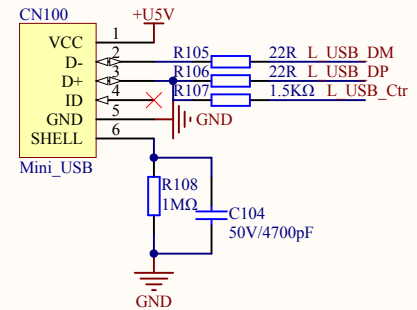
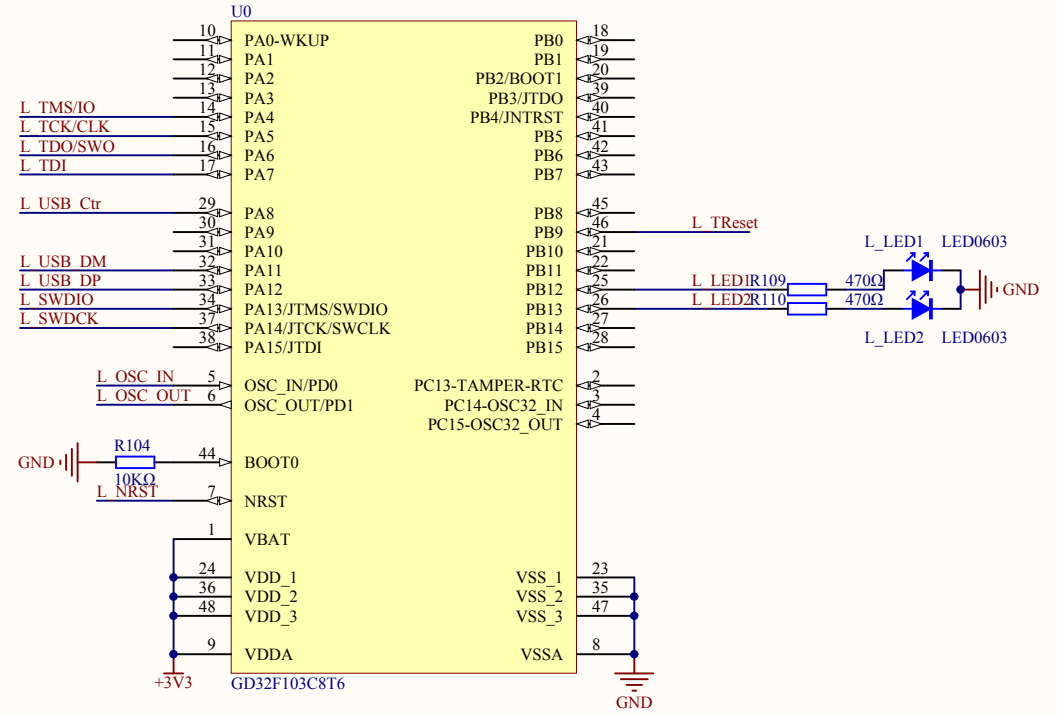
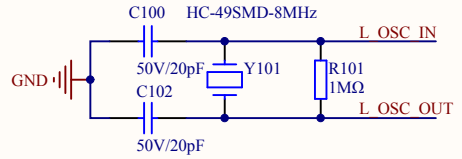
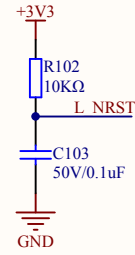


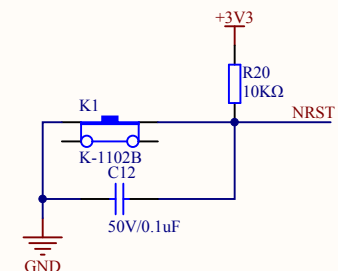
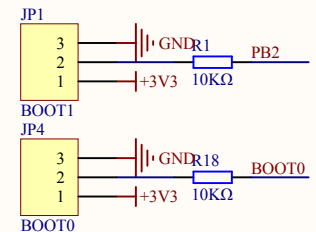
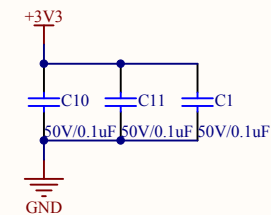
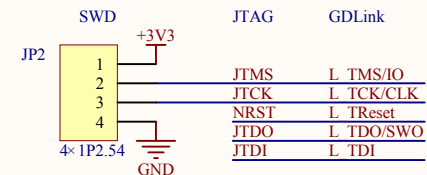
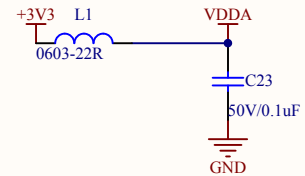
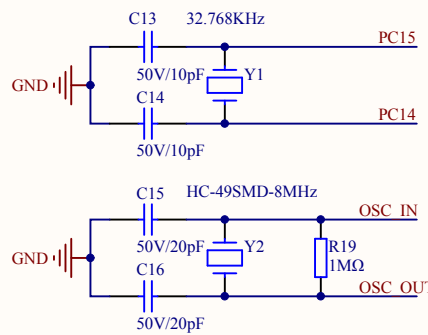
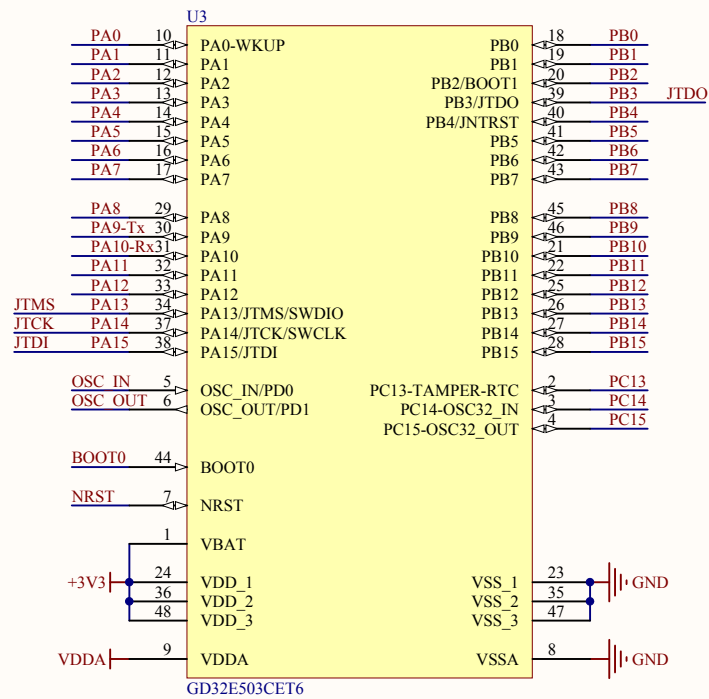
### MCU SWD



### Reset

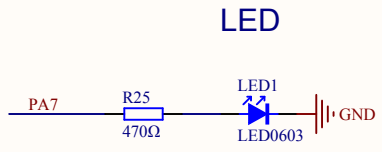


<b>Company Name: GigaDevice</b>		
<b>File Name: GDLink</b>		
Revision: 1.0	Data: 2020-3	Author: XuFei

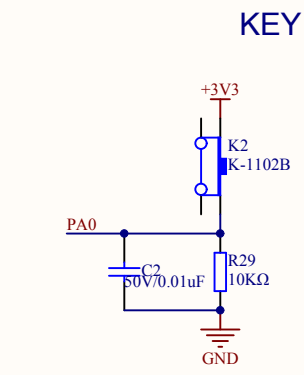


<b>Company Name: GigaDevice</b>		
<b>File Name: MCU</b>		
Revision: 1.0	Data: 2020-3	Author: Xufei

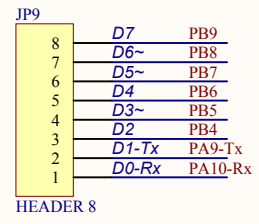
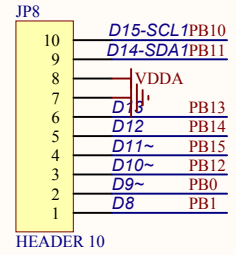
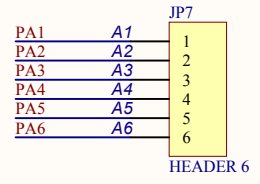
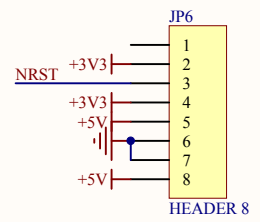
### Arduino



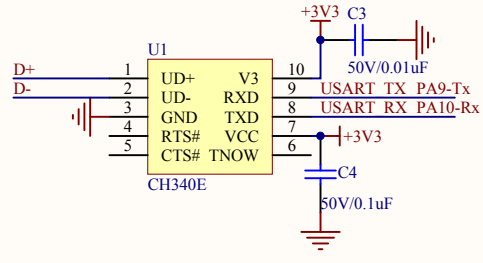
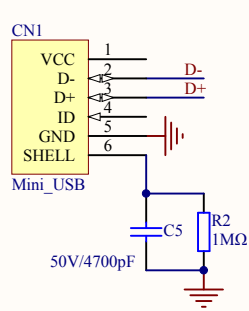
### LED



### KEY



### USART To USB



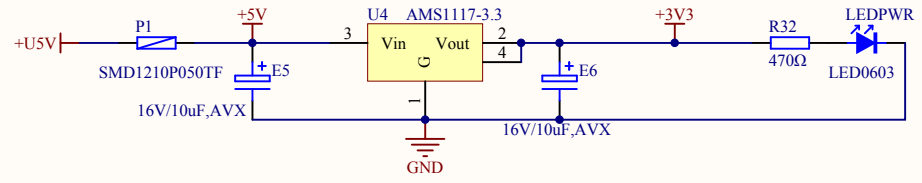
**Company Name: GigaDevice**

**File Name: Peripherals**

Revision: 1.0

Data: 2020-3

Author: Xufei



**Company Name: GigaDevice**

**File Name: Power**

Revision: 1.0

Data: 2020-3

Author: Xufei

1

2

3

4

A

A

B

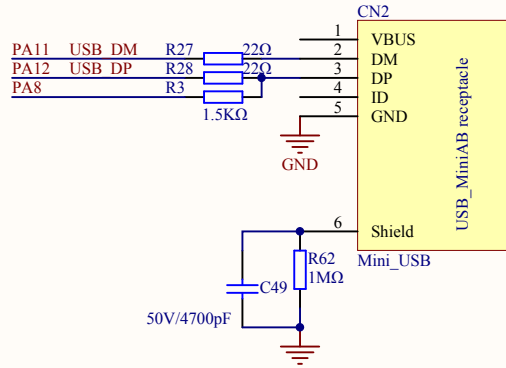
B

C

C

D

D



**Company Name: GigaDevice**

**File Name: USB**

Revision: 1.0

Data: 2020-3

Author: Xufei

1

2

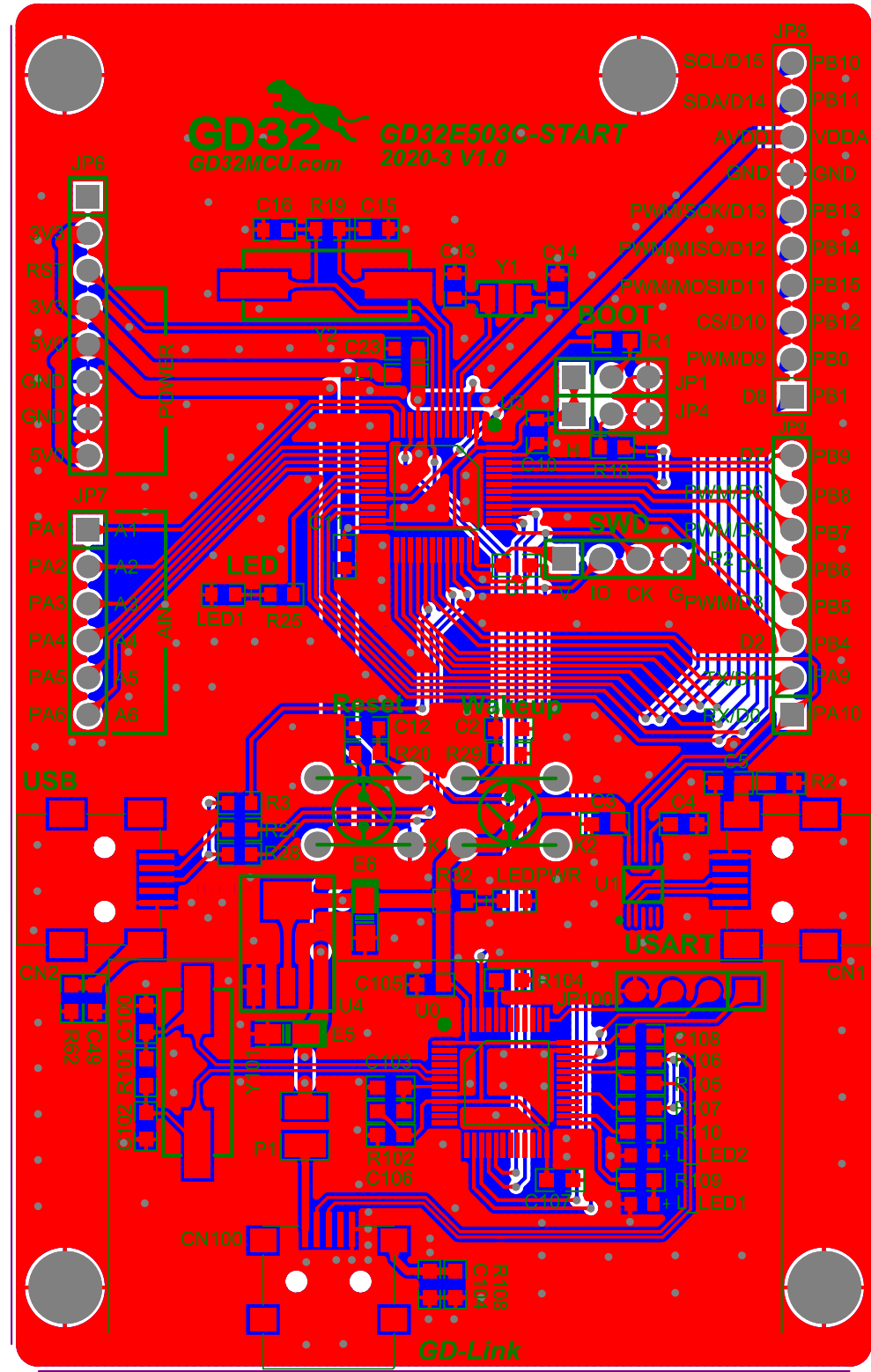
3

4



**GD32E503C-START**  
2020-3 V1.0

GD32MCU.com



- SCL/D15
- SDA/D14
- AVDD1
- BND
- PWM/SCK/D13
- PWM/MISO/D12
- PWM/MOSI/D11
- CS/D10
- PWM/D9
- D8
- JP9
- PB10
- PB11
- AVDDA
- GND
- PB13
- PB14
- PB15
- PB12
- PB0
- PB1
- PB9
- PB8
- PB7
- PB6
- PB5
- PB4
- PA9
- PA10

- JP6
- 3V2
- RS
- 3V3
- 5V0
- GND
- GND
- 5V0
- JP7
- PA1
- PA2
- PA3
- PA4
- PA5
- PA6

**USB**

**USART**

GD-Link