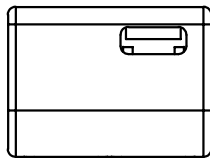
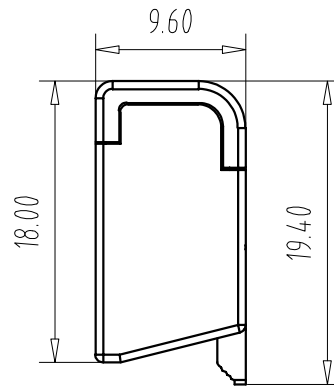
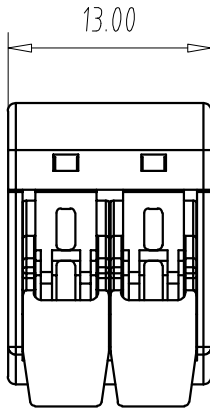
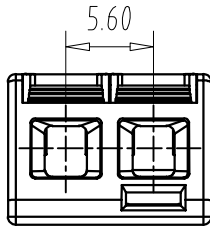


FILE: 2020-D01\ULO

REV	E.C.N NO.	CONTENT	CHK	DATE



NOTES1:

- 1.Rating voltage/current: 450V/32A
- 2.wire range: 0.14-2.5mm²,0.2-4.0mm²sol

NOTES2:

- 1.Housing: PA66
- 2.Conductor: Copper
- 3.Spring:Stainless Steel

NOTES3:

- 1.Stripping length: 10-12mm
- 2.Operating temperature: -20°C ~ +105°C

How to order
ULO - PCT-412

Certificate Factory
Series NO. Code

Total Pitch Tolerances in mm										Nominal dimension range in mm										⊥	≡	-	//		
over 0	over 30	over 53	over 70	over 90	over 115	over 150	over 200	over 250	over 320	over 0	over 30	over 53	over 70	over 90	over 115	over 150	over 200	over 250	over 320	over 0	over 10	all	over 0	over 100	over 150
±0.18	±0.20	±0.25	±0.3	±0.35	±0.44	±0.55	±0.70	±0.75	±0.20	±0.25	±0.30	±0.30	±0.35	±0.44	±0.55	±0.70	±0.80	±0.90	0.2	0.3	0.3	0.2	0.3	0.3	0.5

ITEM	NAME OF PART	NO. OF PART	Q'TY	MATERIAL	NOTE
DWG.	CKK	DATE	21.11.04	UNITS	MM
CHK.		DATE		SCALE	1:1
APP.		DATE			
				NAME	ULO-PCT-412
				DWGNO.	UL0Y000A