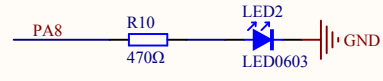
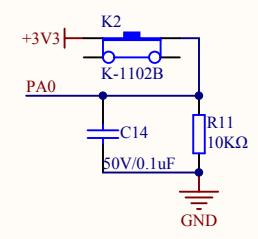


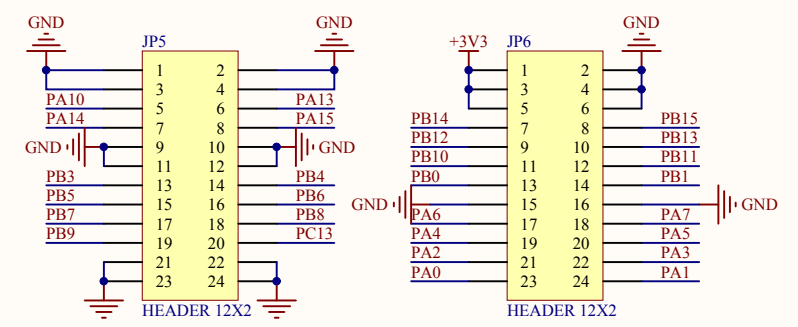
### LED



### KEY

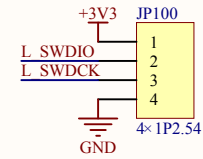


### Extension Pin

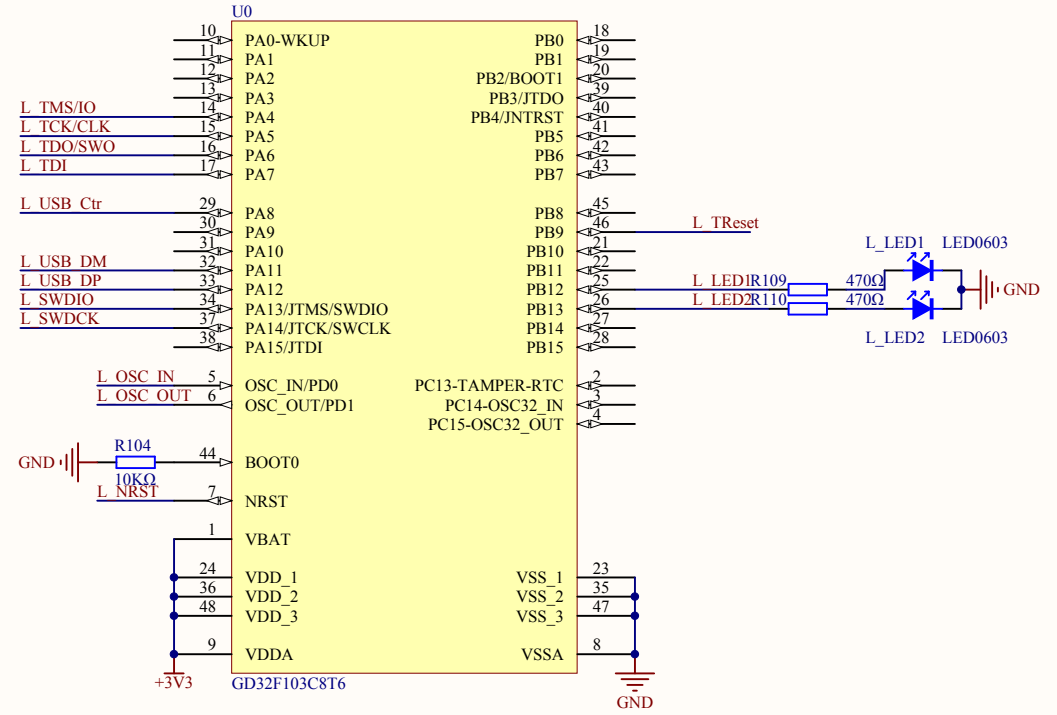
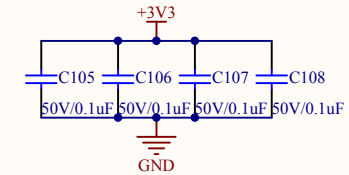
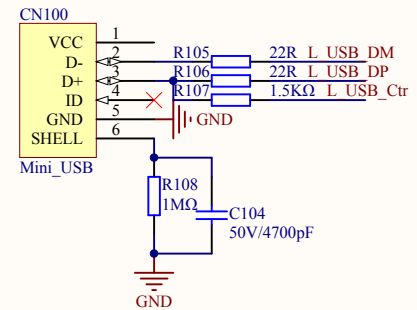
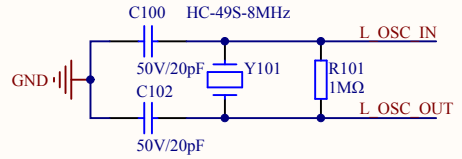
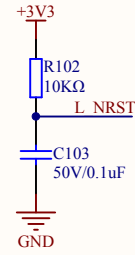


<b>Company Name: GigaDevice</b>		
<b>File Name: Extension</b>		
Revision: 1.0	Data: 2015-7	Author: XuFei

### MCU SWD

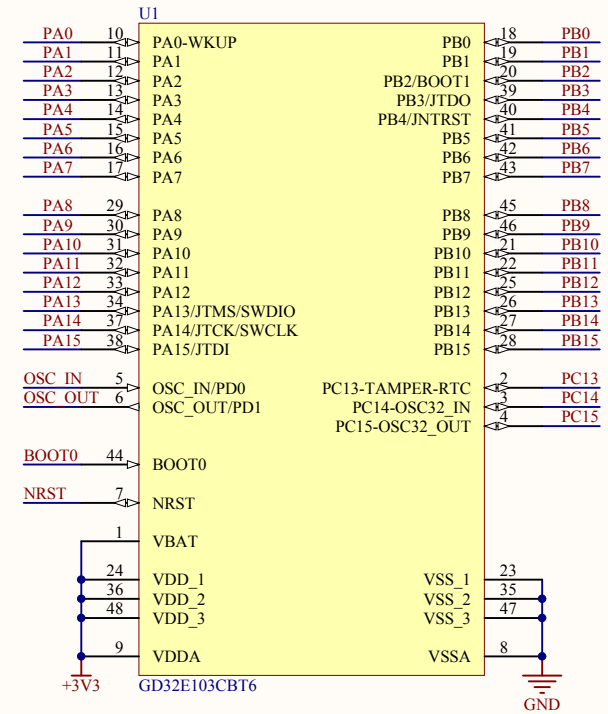
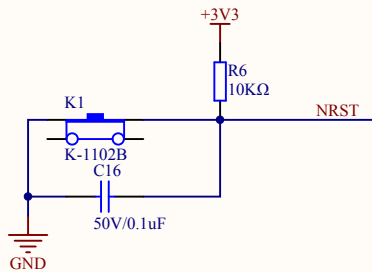
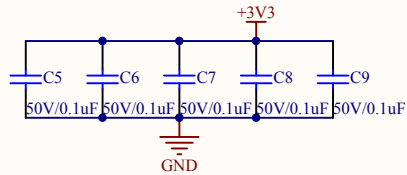
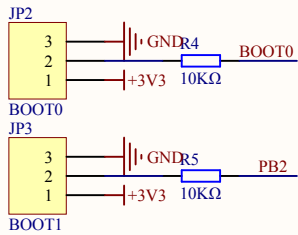
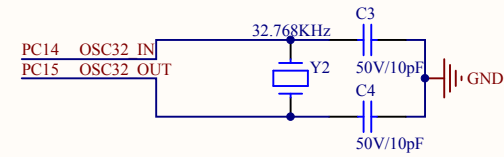
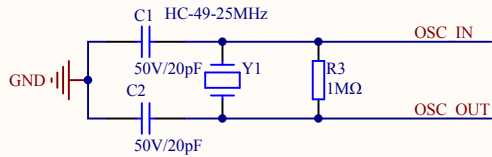


### Reset

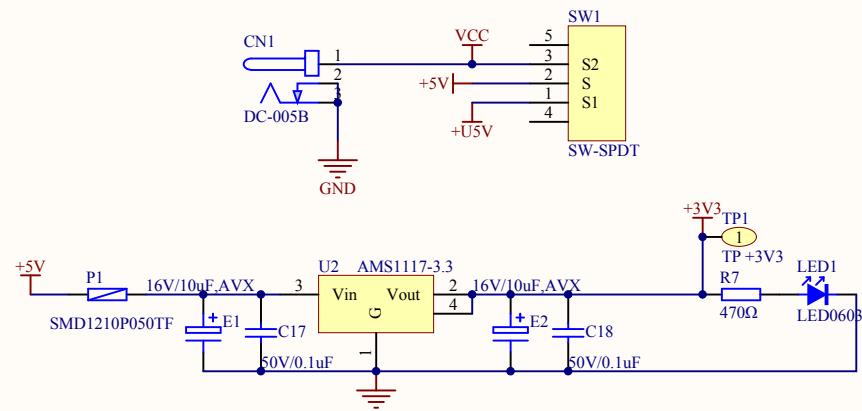


<b>Company Name: GigaDevice</b>		
<b>File Name: GDLink</b>		
Revision: 1.0	Data: 2015-01-09	Author: XuFei

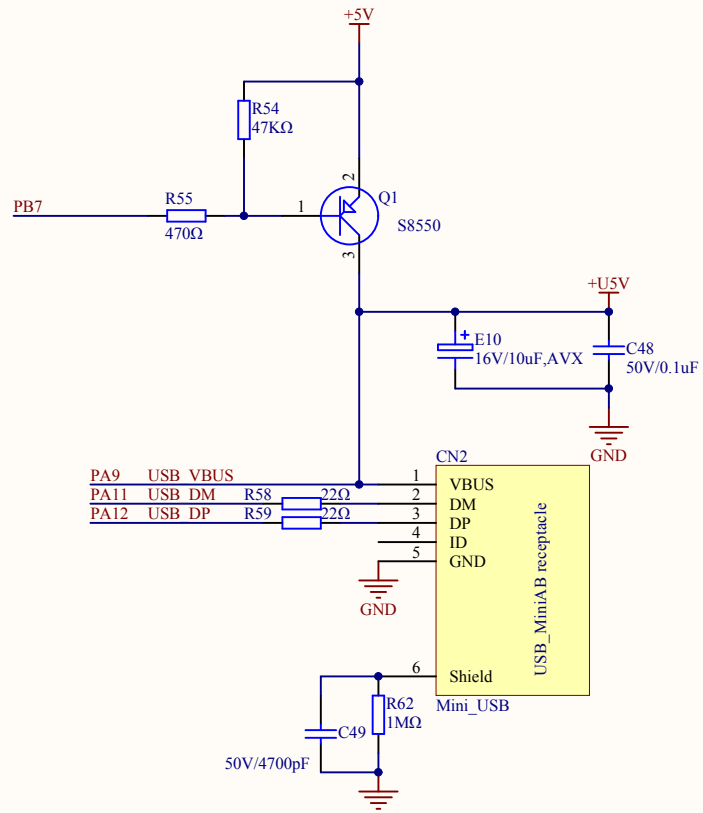
GDLink	JTAG	
L TDI	JTDI	PA15
L TMS/IO	JTMS/SWDIO	PA13
L TCK/CLK	JTCK/SWDCLK	PA14
L TDO/SWO	JTDO	PB3
L TRreset	NRST	
	JINTRST	PB4



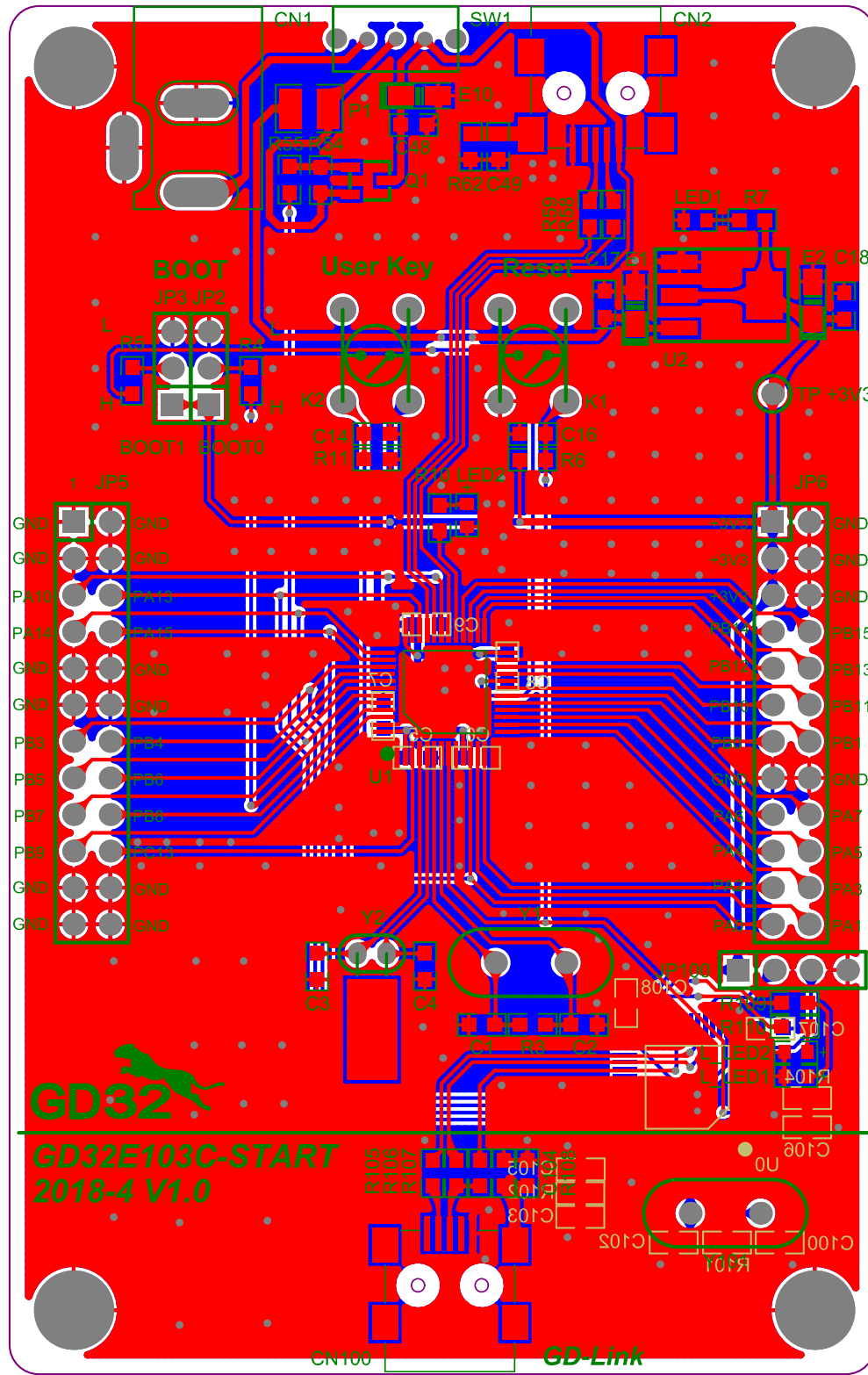
<b>Company Name: GigaDevice</b>		
<b>File Name: MCU</b>		
Revision: 1.0	Data: 2018-3	Author: XuFei



<b>Company Name: GigaDevice</b>		
<b>File Name: Power</b>		
Revision: 1.0	Data: 2018-3	Author: XuFei



<b>Company Name: GigaDevice</b>		
<b>File Name: USB</b>		
Revision: 1.0	Data: 2018-3	Author: Xufei



**GD32E103C-START**  
**2018-4 V1.0**

**GD-Link**