

General Specifications

Motor Protection:

Auto Restart/Polarity Protection

Insulation Resistance:

10M Ω or over with a DC500V Megger

Dielectric Withstand Voltage:

AC 700V 1s or AC 500V 1min

Allowable Ambient Temperature Range:

-10°C ~ +60°C (Operating)

-40°C ~ +70°C (Storage)

(non-condensing environment)

Expected Life

Failure Rate: 10%

25°C 100,000 Hours

Material

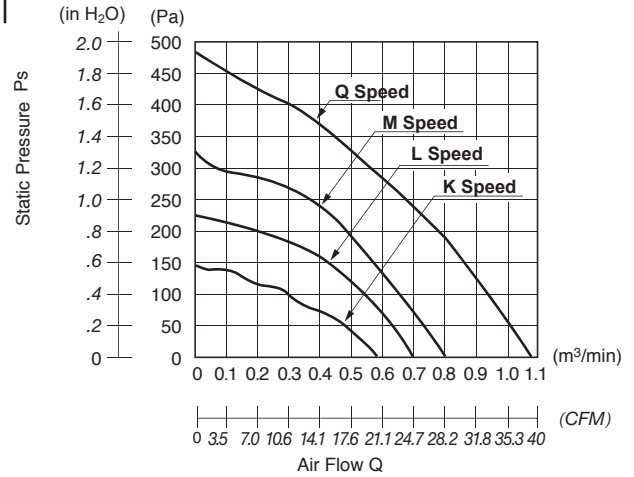
Casing : Plastic (Black) UL94V-0

Impeller : Plastic (Black) UL94V-0

Bearing : Ball Bearing

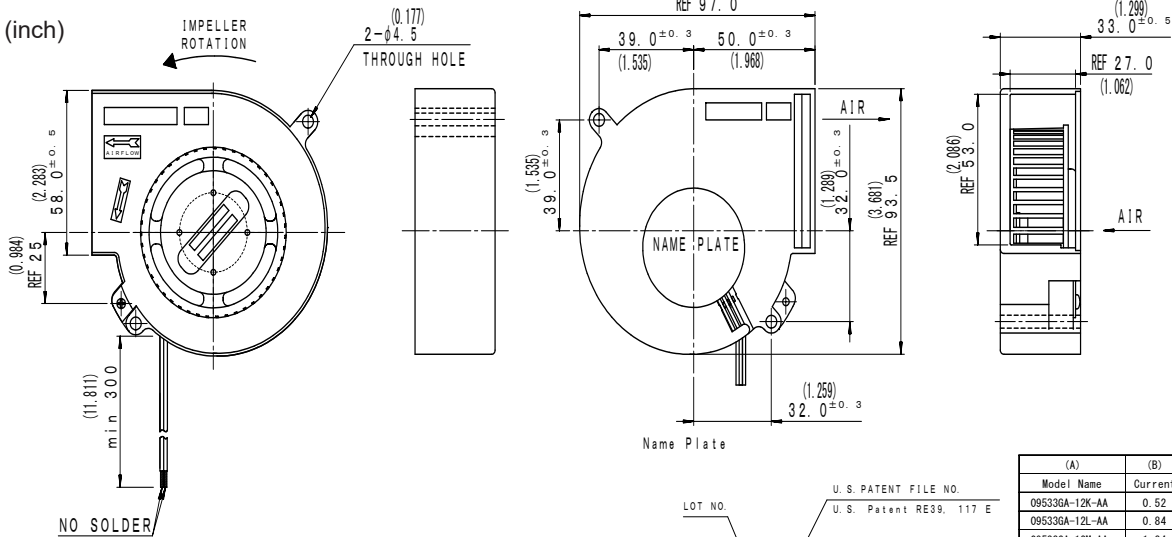
Lead Wire : UL1007, AWG26, +Red, -Black

Characteristic Curves



Outline

Unit: mm (inch)



U.S. PATENT FILE NO.
U.S. Patent RE39,117 E

FACTORY ID: 7-CHINA
C: JAPAN
U: CAMBODIA

	(A)	(B)
Model Name	Current	
09533GA-12K-AA	0.52	
09533GA-12L-AA	0.84	
09533GA-12M-AA	1.34	
09533GA-12Q-AA	2.10	

LOT NO. _____

MODEL (A) _____ (B) _____

MADE IN _____

CE MARK _____

VDE MARK _____

ULus MARK _____

Specifications

MODEL	Rated Voltage	Operating Voltage	Current	Input Power	Speed	Max. Air Flow		Max. Static Pressure		Noise	Mass
	(V)	(V)	(A) ^{*1}	(W) ^{*1}	(min ⁻¹) ^{*1}	(CFM)	(m ³ /min)	(in H ₂ O)	(Pa)	(dB) ^{*1}	(g)
09533GA-12K-AA-00	12	6.0 ~ 13.8	0.40	4.80	2700	20.48	0.58	0.61	152	47.5	210
09533GA-12L-AA-00	12	6.0 ~ 13.8	0.64	7.68	3200	24.72	0.70	0.90	225	51.5	210
09533GA-12M-AA-00	12	6.0 ~ 12.6	1.03	12.36	3700	28.60	0.81	1.37	342	54.5	210
09533GA-12Q-AA-00	12	9.5 ~ 13.2	1.40	16.80	5200	38.14	1.08	1.89	470	61.0	210

*1: Average Values in Free Air

Note: PWM/Locked Rotor/Tach Available