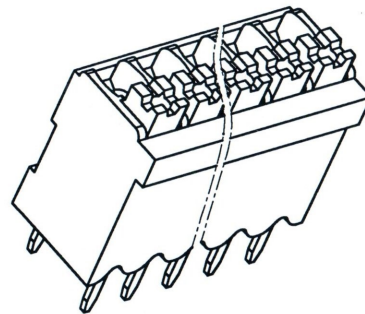
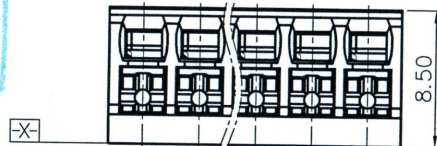


仅供参考图

签字:

日期:

[Handwritten signature]
7/15

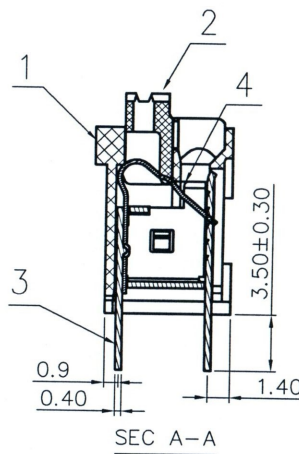
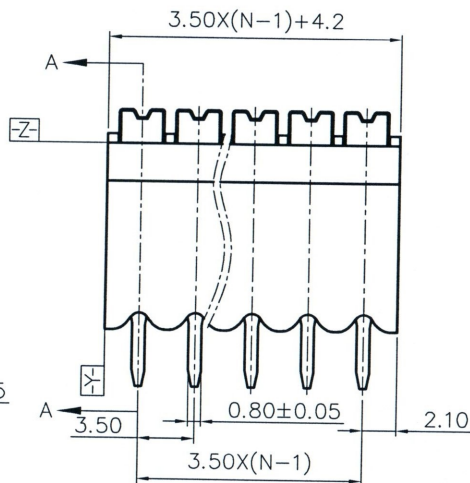
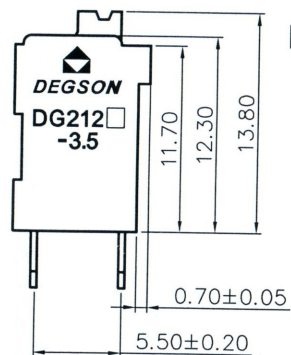


NOTES:

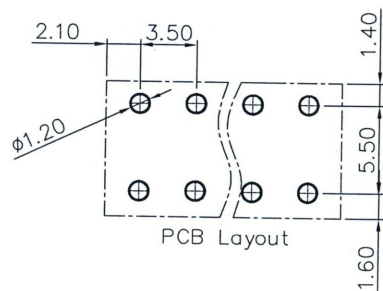
- 1.DIMENSION SHALL BE INTERPRETED PER ASME Y14.5-2009.
- 2.PITCH: 3.5 ,POLES: N=2-24P
- 3.UL1059: 300V/12A
- 4.IEC:

| | | | |
|---------------------------|-------|-------|-------|
| POLLUTION DEGREE | 2 | 2 | 3 |
| OVERVOLTAGE CATEGORY | II | III | III |
| RATED IMPULSE VOLTAGE(KV) | 2.5KV | 2.5KV | 2.5KV |
| RATED VOLTAGE(V) | 320V | 160V | 160V |
| RATED CURRENT(A) | 17.5A | 17.5A | 17.5A |

- 5.LOWER LIMIT TEMPERATURE: -40°C
- 6.UPPER LIMIT TEMPERATURE: +105°C
- 7.WIRE RANGE: 24AWG~16AWG,0.2MM²~1.5MM²
- 8.STRIPPING LENGTH: 8MM
- 9.UNDIMENSIONED TOLERANCES:



| PITCH RANGE IN MM | | NOMINAL DIMENSION RANGE IN MM | | | | | | - |
|-------------------|-------|-------------------------------|-------|-------|-------|-------|-------|---------|
| TO | OVER | TO | OVER | TO | OVER | TO | OVER | TO |
| 6 | 10 | 10 | 24 | 30 | 60 | 100 | 150 | 150 |
| ±0.10 | ±0.15 | ±0.25 | ±0.20 | ±0.30 | ±0.50 | ±0.70 | ±1.00 | 0.05/10 |



| | | | | | |
|---|--------------------------|---------------|----|-----------------|-----------|
| 4 | 15EDGKN-3.5-1000A-SPRING | X000006130(H) | XX | Stainless steel | |
| 3 | DG212V-Pin Header | 3134B00060(H) | XX | Brass | Sn-PLATED |
| 2 | 15EDGKN-3.5-1000A-KEY | 1103DYY01D(H) | XX | PA66 | UL94V-0 |

| | | | | | |
|---|-----------------------|---------------|---|-----|---------|
| 1 | DG212-THR-3.5-Housing | 3134AYYXXA(H) | 1 | LCP | UL94V-0 |
|---|-----------------------|---------------|---|-----|---------|

| | | | | | |
|----------------|----------------------------|-------------------------|-------------------------------------|------------------------------|-------------------------|
| DETACHED LISTS | MM (INCH) | MATERIAL: | 宁波高正电子有限公司 | | |
| | TOLERANCES EXCEPT AS NOTED | FINISH: | DEGSON® DEGSON ELECTRONICS CO., LTD | | |
| | .X ± | .X' ± | PART NO.: | NAME: | |
| | .XX ± | .XX' ± | | DG212V-THR-3.5-XXP-1Y-00A(H) | |
| | .XXX ± | .XXX' ± | | APPD: <i>Aaron 7/15</i> | TITLE: ASSEMBLY DRAWING |
| ANGLES ± 1° | THIRD ANGLE PROJECTION | CHKD: <i>Perry 7/15</i> | DRFT: RDM | DATE: 06/09/15" | TITLE: ASSEMBLY DRAWING |
| | | DRFT: RDM | DATE: 06/09/15" | DO NOT SCALE DRAWING | SCALE: N/A |
| | | | | | REV: TO-1 |
| | | | | | SHEET: 1/1 |