

SPECIFICATIONS

Version: V0

This module uses ROHS material

PRODUCT: TFT LCD MODULE

MODEL NO: HT0280BT01B

SUPPLIER: HTDisplay

ISSUED DATE: 2019-12-23

- Preliminary Specification**
 Final Product Specification

HTDisplay		Customer
Prepared by	Hongfei lan	Approved By
Reviewed by	Max zhang	
Quality Dept	Shipin peng	Date
Approved by	Ruxun wang	

Beijing HTDisplay Electronic Co.,Ltd

Address: 5F Bld. #5, 7 East Rongchang St., Yizhuang Dvpt. Zone,
Daxing District, Beijing 100176 CHINA

Tel: (86) 10 67806456 Fax: (86) 10 67805529

Email:sales@htdisplay.com www.htdisplay.com

Revision Record

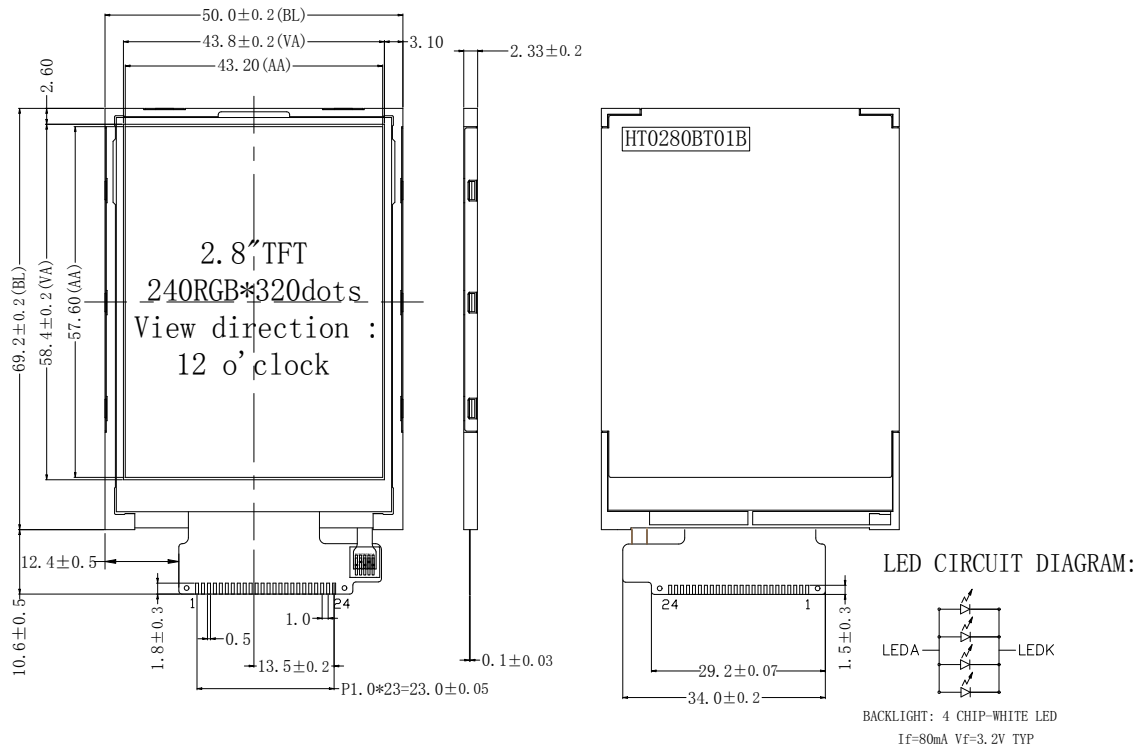
REV No.	REV Date	Contents	Editor	Remarks
V0	2019-12-23	First release	Hongfei lan	Preliminary

No.	Contents	Page
1	General Information	4
2	Mechanical Drawing	5
3	Absolute Maximum Ratings	5
4	Electrical Characteristics	6
5	Backlight Characteristics	6
6	Electro Optical Characteristics	7
7	Read/Write Timing	10
8	Interface Description	12
9	Reliability Test Conditions	13
10	Storage and use Precautions	14
11	Packing	15

1. General information

Feature	Spec	Unit
LCD size	2.8	inch
Resolution	240 RGB x 320 Dots	---
Pixel pitch (WxH)	0.18 x 0.18	mm
Active area	43.20 (W) x 57.60 (H)	mm
Viewing area	43.80 x 58.40	mm
Display Mode	TN,NW	---
LCM Outline(with TP) (WxHxT)	50.00 × 69.20 × 2.33	mm
With/Without TP	Without	---
Weight (g)	TBD	g
TFT Driver IC	ST7789V-G4-A	---
TFT Interface	MCU 8 Bit	---
TFT Input voltage	2.8	V
TFT Power consumption	TBD	mW
Backlight Power consumption	TBD	mW
LCM brightness	MIN 310	Cd/m ²

2. Mechanical drawing



3. Absolute maximum ratings

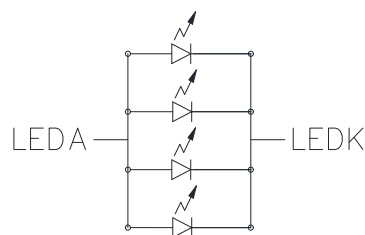
Item	Symbol	Min.	Max.	Unit
Supply voltage for logic	VDD	-0.3	3.3	V
Input voltage	VIN	-0.3	3.6	V
Operating temperature	TOP	-20	70	°C
Storage temperature	TST	-30	80	°C
Humidity	RH	--	90%(Max60 °C)	RH

4. Electrical characteristics

Item	Symbol	Min.	Typ.	Max.	Unit
Supply voltage for logic	VDD	2.7	2.8	3.3	V
Input Current	I _{dd}	--	TBD	TBD	mA
Input voltage 'H' level	V _{IH}	0.7VDD	--	VDD	V
Input voltage 'L' level	V _{IL}	VSS	--	0.3VDD	V
Output voltage 'H' level	V _{OH}	0.8VDD	--	VDD	V
Output voltage 'L' level	V _{OL}	VSS		0.2VDD	V

5. Backlight characteristics

Item	Symbol	Min.	Typ.	Max.	Unit	Condition
Forward Current	I _f	72	80	88	mA	
Forward Voltage	V _f	2.8	3.2	3.4	V	
LED Life Time	L _L	--	30000	--	Hrs	T _a =25°C



BACKLIGHT: 4 CHIP-WHITE LED
I_f=80mA V_f=3.2V TYP

Figure 2

Note1: Under LCM operating, the stable forward current should be inputted. And forward voltage is for reference only.

Note2: Optical performance should be evaluated at T_a=25°C. if LED is driven by high current, high ambient temperature & Humidity condition. The life time of LED will be reduced. Operating life means brightness goes down to 50% initial brightness. Typical operating life time is estimated data.

6. Electro-optical characteristics

Optical Specification

Item	Symbol	Condition	Min.	Typ.	Max.	Unit	Note
Transmittance	T(%)		—	6.4	—	%	(9)
NTSC			--	55	--	%	(3)
Contrast Ratio	CR	$\Theta=0$ Normal Viewing angle	—	500	—	—	(2)(6)
Response Time	TON+TOFF		—	16	—	msec	(5)
Color Gamut	(%)		—	TBD	—	%	
Color Chromaticity (CIE1931)	White		W_X	—	0.301	—	—
		W_Y	—	0.337	—	—	
	Red	R_X	—	0.621	—	—	
		R_Y	—	0.332	—	—	
	Green	G_X	—	0.294	—	—	
		G_Y	—	0.577	—	—	
Blue	B_X	—	0.141	—	—		
	B_Y	—	0.157	—	—		
Viewing Angle	Hor.	Θ_L	—	45	—	—	(2)(6)(7)
		Θ_R	—	45	—		
	Ver.	Θ_U	—	50	—		
		Θ_D	—	20	—		
Optimal View Direction	12 O' CLOCK						

Note 1: Ambient temperature = 25°C.

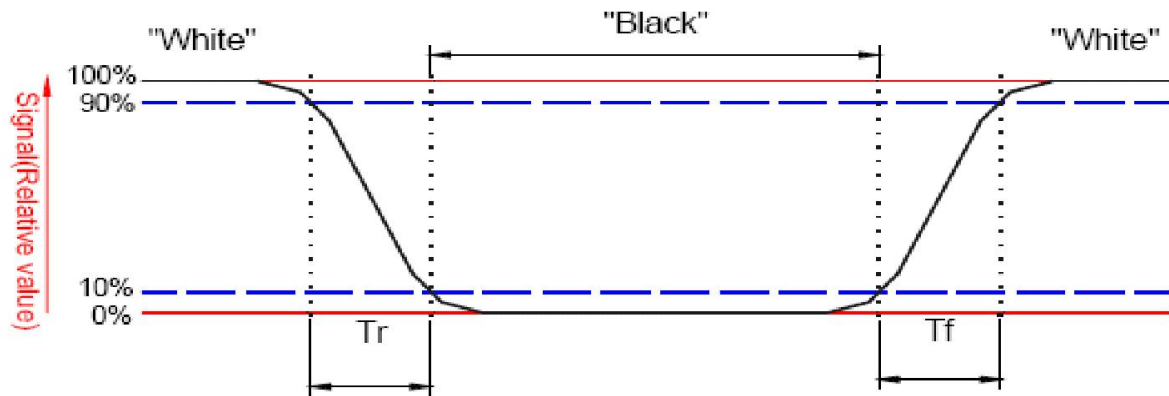
Note 2: To be measured with a viewing cone of 2by Top con luminance meter BM-5A.

Note 3: To be measured with Outstay chromaticity meter LCF-2100M, CF only measure under C light simulation.

Note 4: CTC shipping status is cell without polarizer. Transmittance of Specification is cell with polarizer

Note 5: Definition of response time:

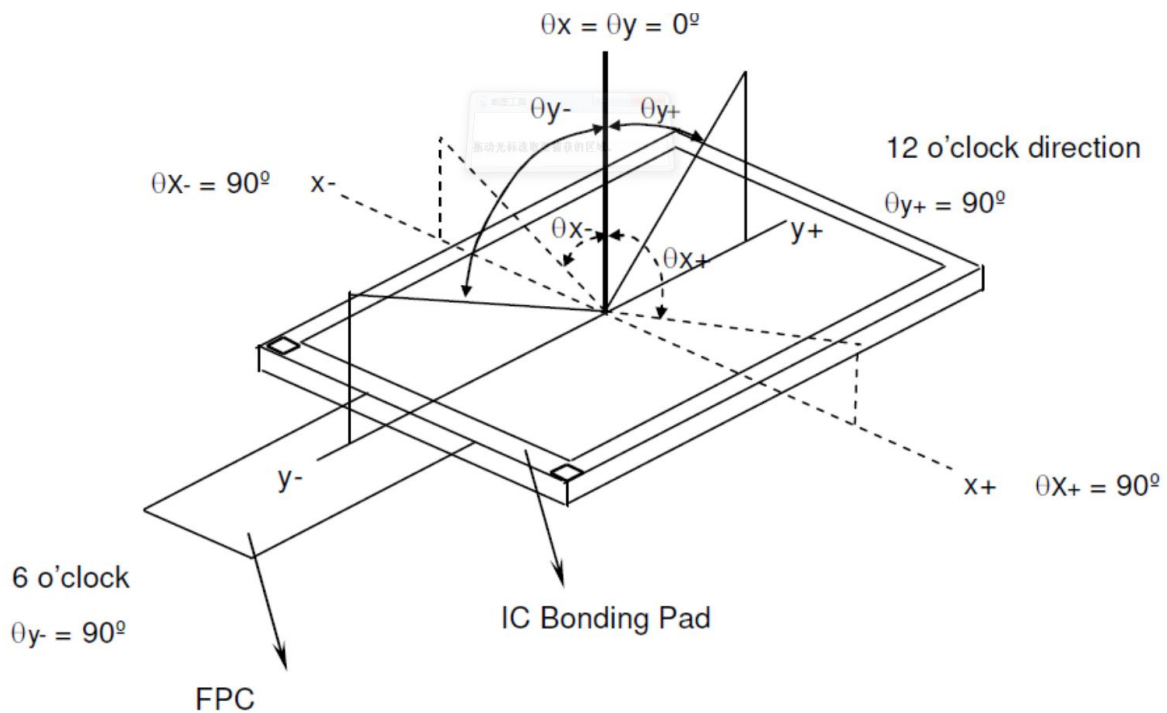
The output signals of TRD- 100 are measured when the input signals are changed to "White"(allying time) and from "White" to "Black" (rising time), respectively. The interval is between the 10% and 90% of amplitudes. Refer to figure as below.



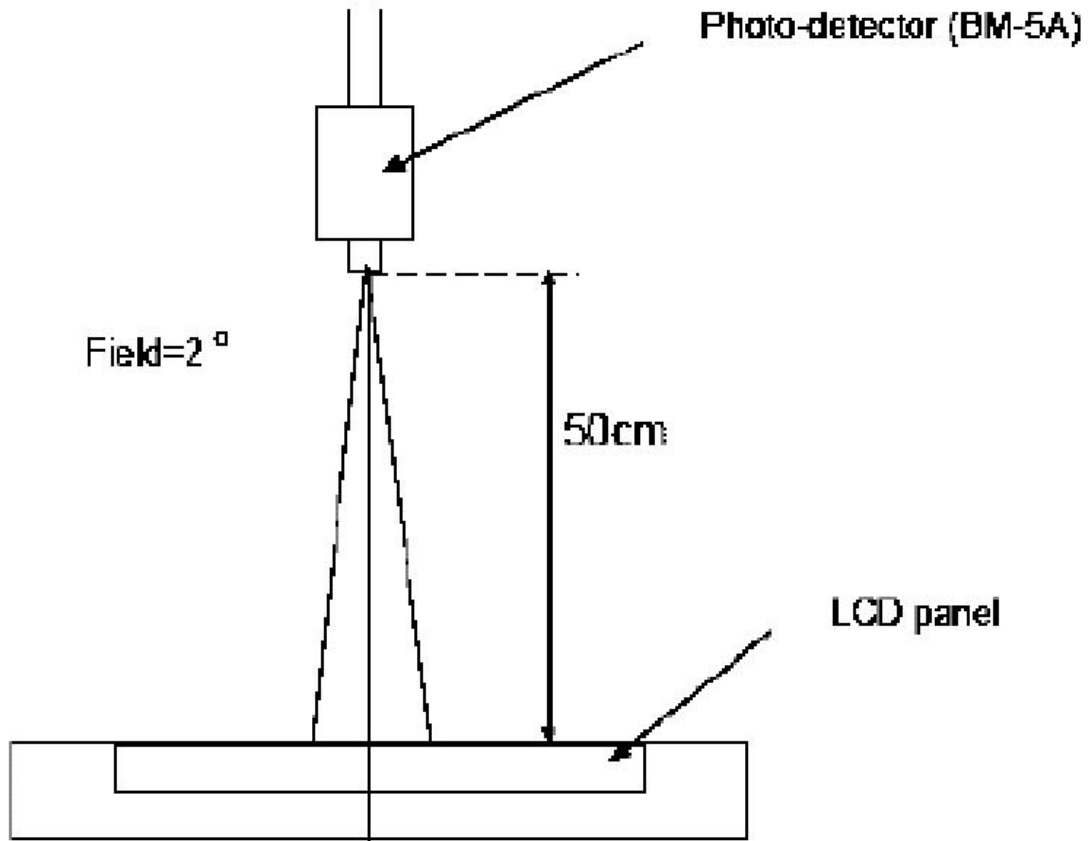
Note 6: Definition of contrast ratio:
 Contrast ratio is calculated by the following formula.

$$\text{Contrast ratio (CR)} = \frac{\text{Brightness on the "white" state}}{\text{Brightness on the "black" state}}$$

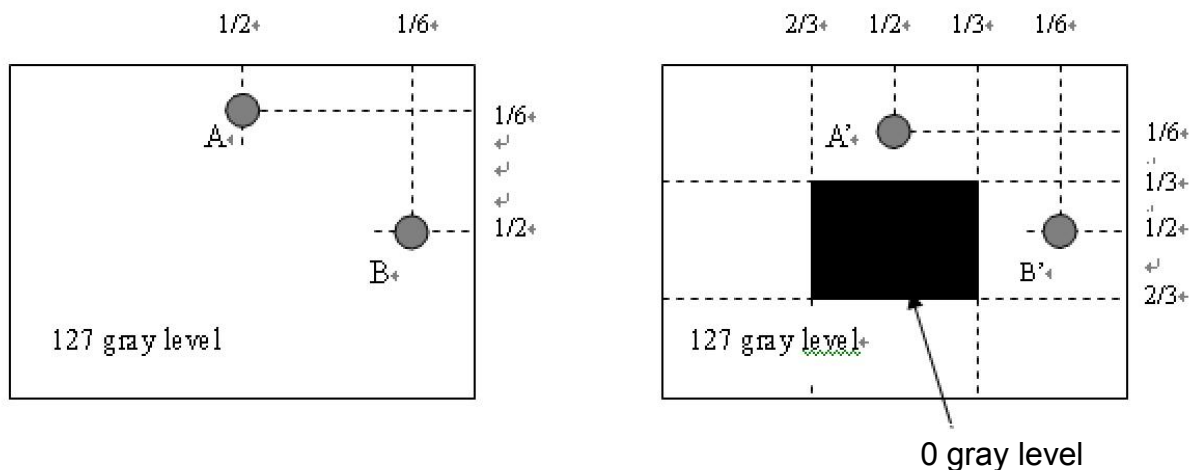
Note 7: Definition of viewing angle



Note 8: Optical characteristic measurement setup.



Note9:Crosstalk



$ILA-L_A'/LA \times 100\% = 2\% \text{ max.}$, LA and LA' are brightness at location A and A'

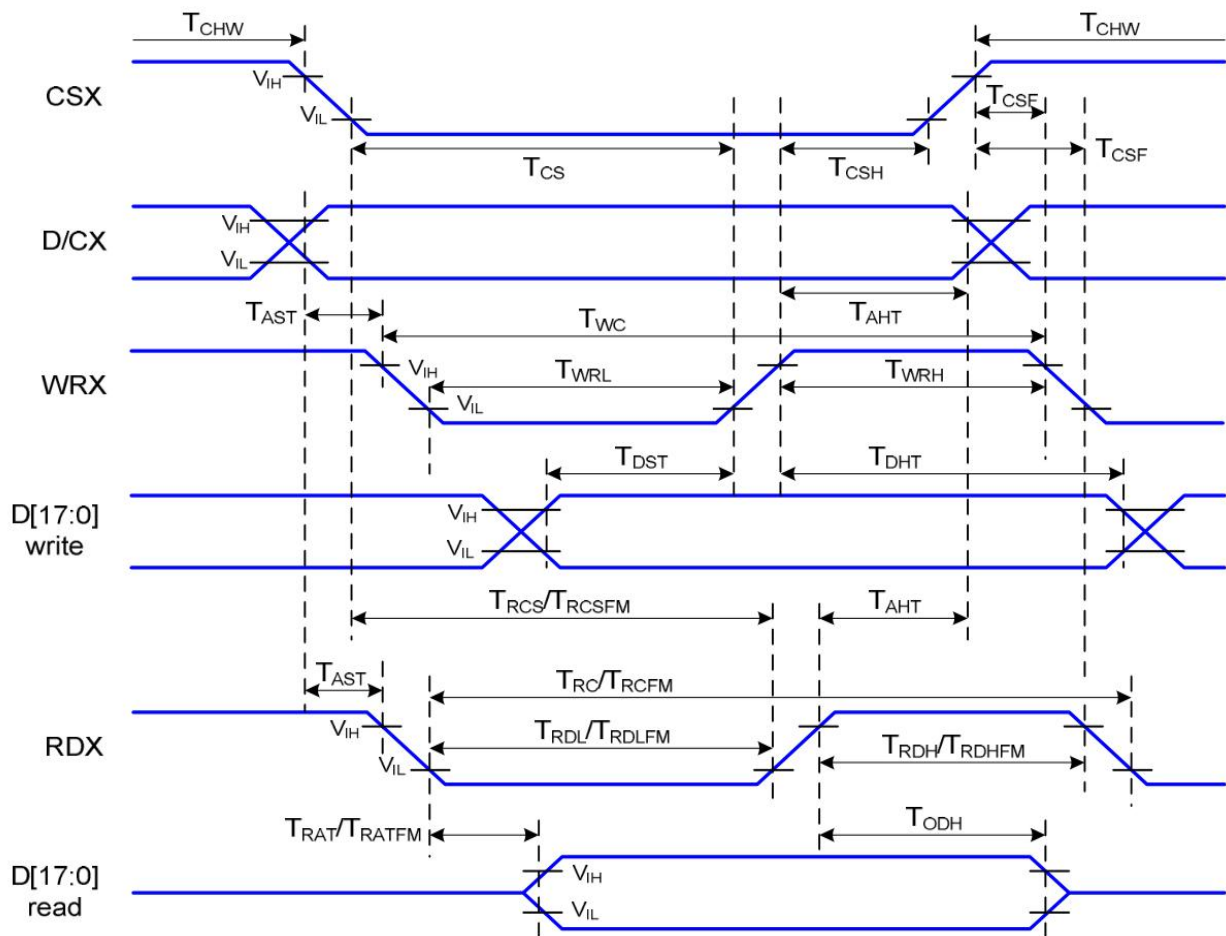
$ILB-LB'/LB \times 100\% = 2\% \text{ max.}$, LB and LB' are brightness at location B and B'

7. Read/Write timing

8080 Series MCU Parallel Interface Characteristics :18/16/9/8-bit Bus

Item	Symbol	Parameter	Min.	Typ.	Max.	Unit	Description
D/CX	TAST	Address setup time	0	--	--	ns	
	TAHT	Address hold time(write/read)	10	--	--	ns	
CSX	TCHW	Chip select "H" pulse width)	0	--	--	ns	
	TCS	Chip select setup time(write)	15	--	--	ns	
	TRCS	Chip select setup time (read ID)	45	--	--	ns	
	TRCSFM	Chip select setup time (read ID)	355	--	--	ns	
	TCSF	Chip select wait time (write/read)	10	--	--	ns	
	TCSH	Chip select hold time	10	--	--	ns	
WRX	TWC	Write cycle	66	--	--	ns	
	TWRH	Control pulse"H" duration	15	--	--	ns	
	TWRL	Control pulse"L" duration	15	--	--	ns	
RDX (ID)	TRC	Read cycle(ID)	160	--	--	ns	When read id date
	TRDH	Control pulse"H" duration(ID)	90	--	--	ns	
	TRDL	Control pulse"L" duration(ID)	45	--	--	ns	

Item	Symbol	Parameter	Min.	Typ.	Max.	Unit	Description
RDX (FM)	T_{RCFM}	Read Cycle(FM)	450			ns	
	T_{RDHFM}	Control Pulse"H"Duration(FM)	90			ns	
	T_{RDLFM}	Control Pulse"L"Duration(FM)	355			ns	
D[17:0]	T_{DST}	Data Setup Time	10			ns	
	T_{DHT}	Data Hold Time	10			ns	
	T_{RAT}	Read Access Time(ID)			40	ns	
	T_{RATFM}	Read Access Time(FM)			340	ns	
	T_{ODH}	Output Disable Time	20		80	ns	



Note: This section is only for reference, Details please refer to the IC specification.

8. Interface description

TFT interface

No.	SYMBOL	Description
1	LEDK	LED power cathode.
2	LEDA	LED power anode.
3	GND	System ground.
4	VDD	Power Supply for Logic.
5	VDDI	Power Supply for I/O(VDDI=1.8/2.8V).
6	TE	Tearing effect output pin to synchronize MCU to frame rate, activated by S/W command.
7	CS	Chip selection pin.
8	RES	This signal will reset the device and must be applied to properly initialize the chip. Signal is active low.
9	RS	Display data/command Selection Pin in MCU Interface.
10	WR	Write Enable in MCU Parallel Interface.
11	RD	Read Enable in MCU Parallel Interface.
12-19	D[7:0]	D[7:0] are used as MCU parallel interface data bus.
20	GND	System ground.
21-24	NC	-

9. Reliability test conditions

No.	Test Item	Test condition	Remark
1	High Temperature Storage	80°C±2°C 96H	IEC60068-2-1:2007 GB2423.2-2008
2	Low Temperature Storage	-30°C±2°C 96H	IEC60068-2-1:2007 GB2423.1-2008
3	High Temperature Operation	70°C±3°C 96H	IEC60068-2-1:2007 GB2423.2-2008
4	Low Temperature Operation	-20°C±3°C 96H	IEC60068-2-1:2007 GB2423.1-2008
5	High Temperature /Humidity Storage	60°C±3°C 90%RH 96H	IEC60068-2-78:2007 GB2423.3-2006
6	Temperature Cycle	-30°C←→25°C←→80°C 5min 30min ←→25°C , 5min after 10cycle, Restore 4H at 25°C	IEC60068-2-14:1984 GB2423.22-2002
7	Vibration Test	10Hz~150Hz, 100m/s ² , 120min	IEC60068-2-6:1982 GB/T2423.10-1995
8	Mechanical shock	100G ±X,±Y,±Z 3times for each direction	IEC60068-2-27:1987 GB/T2423.5-1995
9	Packing vibration test	0.015G ² /Hz from 50~200Hz 6dB/Octave from 200~500Hz 2hours for each direction of X,Y,Z	IEC60068-2-34 GB/T2423.11
10	Dropping test	Drop to the ground from 0.5m height, one time, every side of carton. (Packing condition)	IEC60068-2-32:1990 GB/T2423.8-1995
11	ESD test	Voltage:±10KV R: 330Ω C: 150pF Air discharge, 10time	IEC61000-4-2:2001 GB/T17626.2-2006

Note1:

The component placed on a vibrating platform as it is assembled in the machine, wires included, is subjected to sinusoidal vibration in all directions XYZ

Note2:

After completing the reliability test, leave the samples under the room temperature and for the following inspection items:

1. No clearly visible defects or deterioration of display quality allowed.
2. No function-related abnormalities.
3. Connected parts still connecting tightly.
4. Display characteristics fulfill initial value contrast ratio should be at least 30% of initial value.

10. Storage and use precautions

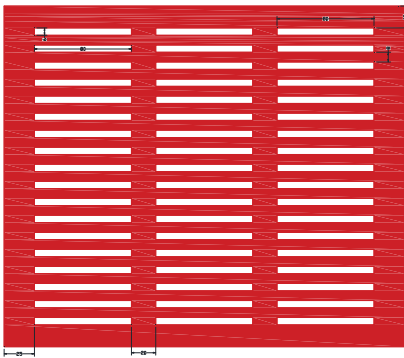
When storing and using the LCD modules, the following precaution are necessary:

- 10.1 Store them in a sealed polyethylene bag. If properly sealed, there is no need for the desiccant.
- 10.2 Store them in a dark place. Do not expose to sunlight or fluorescent light, keep the temperature between 0°C and 35°C, and keep the relative humidity between 40%RH and 60%RH.
- 10.3 The LCD modules should be stored in the room without acid, alkali and harmful gas.
- 10.4 The polarizer surface should not come in contact with any other objects (We advise you to store them in the anti-static electricity container in which they were shipped).
- 10.5 The LCD modules should be no falling and violent shocking during transportation, and also should avoid excessive press, water, damp and sunshine.
- 10.6 Liquid crystals solidify under low temperature (below the storage temperature range) leading to defective orientation or the generation of air bubbles (black or white). Air bubbles may also be generated if the module is subject to a low temperature.
- 10.7 If the LCD modules have been operating for a long time showing the same display patterns, the display patterns may remain on the screen as ghost images and a slight contrast irregularity may also appear. A normal operating status can be gained by suspending use for some time. It should be noted that this phenomenon does not adversely affect performance reliability.
- 10.8 The display panel is made of glass. Do not subject it to a mechanical shock by dropping it from a high place, etc.
- 10.9 If the display panel is damaged and the liquid crystal substance inside it leaks out, be sure not to get any in your mouth, if the substance comes into contact with your skin or clothes, promptly wash it off using soap and water.
- 10.10 Do not apply excessive force to the display surface or the adjoining areas since this may cause the color tone to vary.
- 10.11 The polarizer covering the display surface of the LCD module is soft and easily scratched. Handle this polarizer carefully.
- 10.12 If the display surface is contaminated, gently wipe it with a soft dry cloth. If still not completely clear, moisten cloth with one of the following solvents:
 - Isopropyl alcohol
 - Ethyl alcoholSolvents other than those mentioned above may damage the polarizer. Especially, do not use the following:
 - Water
 - Ketone
 - Aromatic solvents
- 10.13 Do not attempt to disassemble the LCD Module.
- 10.14 If the logic circuit power is off, do not apply the input signals.

10.15 To prevent destruction of the elements by static electricity, be careful to maintain an optimum work environment.

- Be sure to ground the body when handling the LCD Modules.
- Tools required for assembly, such as soldering irons, must be properly ground.
- To reduce the amount of static electricity generated, do not conduct assembly and other work under dry conditions
- The LCD Module is coated with a film to protect the display surface. -
- Be care when peeling off this protective film since static electricity may be generated.
- Exposed area of the printed circuit board.
- Terminal electrode sections

11. Packing

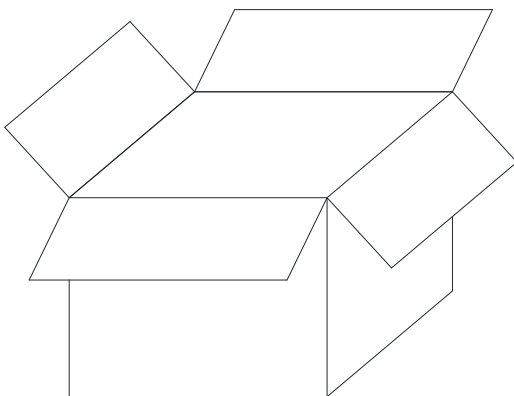


(1)

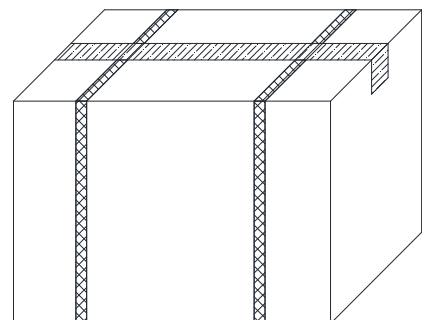
(1) Place the module into the pearl cotton tray.

(2) Place the pear cotton tray into the carton.

(3) Wrap the carton well.



(2)



(3)