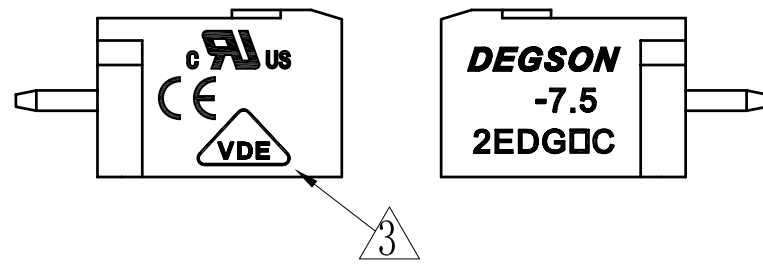
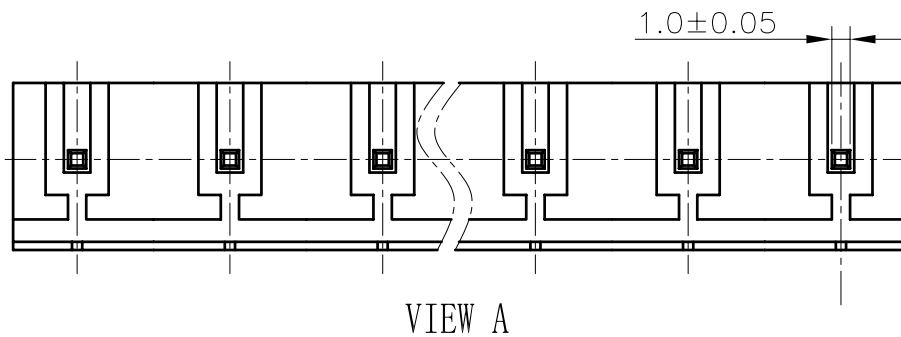
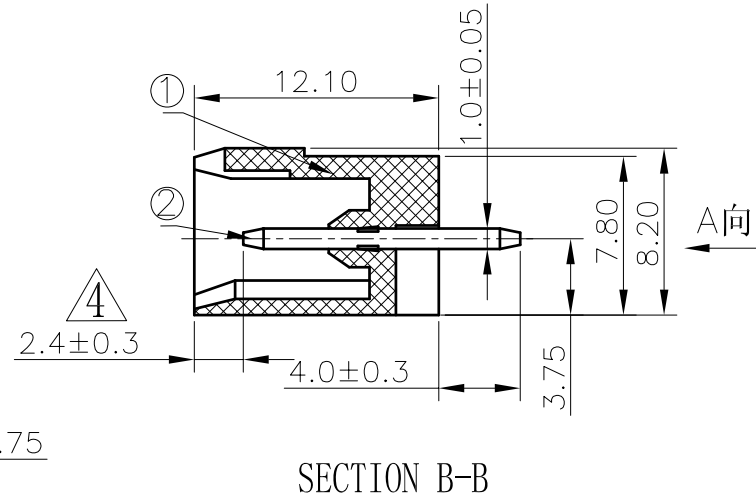
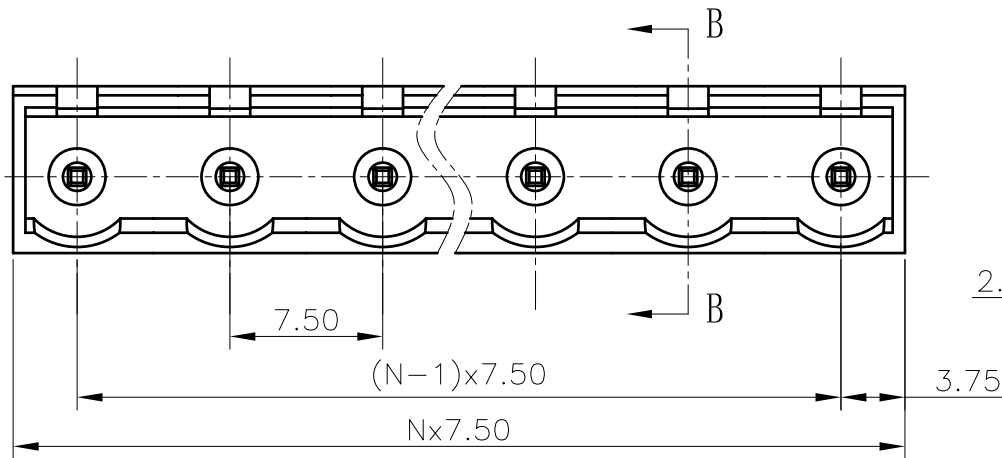


REVISION RECORD					
REV	ECO	DESCRIPTION	DRFT	DATE	
△		Drawing emend	WF	02/22/06*	
△		Drawing emend	csx	04/24/06*	
△		增加VDE、CE刻字	YeJ	02/28/08*	
△	10-0329	增加标注尺寸	COCO	10/07/10*	



Notes:

- Pitch: 7.5mm
- Rated voltage/current:UL 300V/15A
VDE 400V/20A
- Withstanding voltage: AC2000V/1Min
- Insulation resistance:5000MΩ/DC1000V
- Operation temperatures:-40° C~+105° C
- Undimensioned Tolerances:

Pitch range in mm		Nominal dimension range in mm						
to	over	over	to	over	over	over	over	
6	6 to 10	10 to 24	30	30 to 60	60 to 100	100 to 150	150	
±0.10	±0.15	±0.25	±0.2	±0.3	±0.5	±0.7	±1.0	0.05/10

2	2EDGV Pin header	1007B00030 (H)	XX	Brass	SnCe												
1	2EDGVC-7.5-Housing	1022A0YXXA (H)	1	PA66	UL94V-0												
ITEM	NAME OF PART	NO. OF PART	Q"TY	MATERIAL	NOTES												
<table border="1"> <thead> <tr> <th>MM (INCH)</th> <th>DFTO HAOYH</th> <th>DATE</th> </tr> </thead> <tbody> <tr> <td>CHKD</td> <td></td> <td>10/07/05</td> </tr> <tr> <td>MFO</td> <td></td> <td></td> </tr> <tr> <td>APPVL</td> <td></td> <td></td> </tr> </tbody> </table>		MM (INCH)	DFTO HAOYH	DATE	CHKD		10/07/05	MFO			APPVL			宁波高正电子有限公司 DEGSON® DEGSON ELECTRONICS CO., LTD			
MM (INCH)	DFTO HAOYH	DATE															
CHKD		10/07/05															
MFO																	
APPVL																	
<table border="1"> <thead> <tr> <th>MM</th> <th></th> </tr> </thead> <tbody> <tr> <td>.0 ±</td> <td>±</td> </tr> <tr> <td>.00 ±</td> <td>±</td> </tr> <tr> <td>.000 ±</td> <td>±</td> </tr> </tbody> </table>		MM		.0 ±	±	.00 ±	±	.000 ±	±	NAME 2EDGVC-7.5-XXP-1Y-00A(H)		DRAWING NO. 2EDGVC-7.5-E02 /PART NO.	SIZE A3	REV T4 10/07/10*			
MM																	
.0 ±	±																
.00 ±	±																
.000 ±	±																
ANGLES ± 1'		G.E :		DO NOT SCALE DRAWING													
THIRD ANGLE PROJECTION		FINISH :		SHEET 1 OF 1													
		SCALE : 1:1															