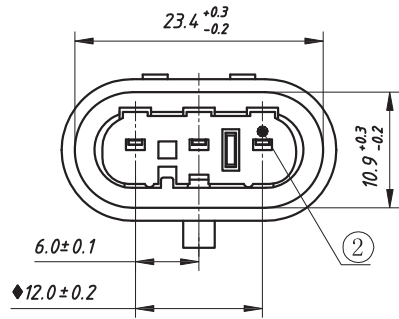
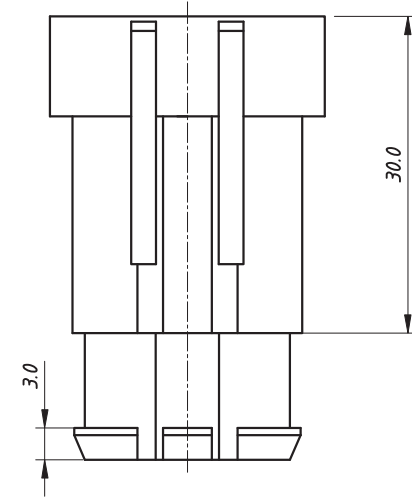
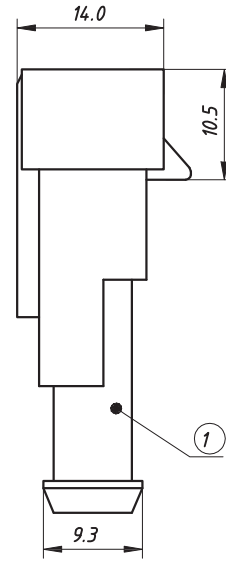
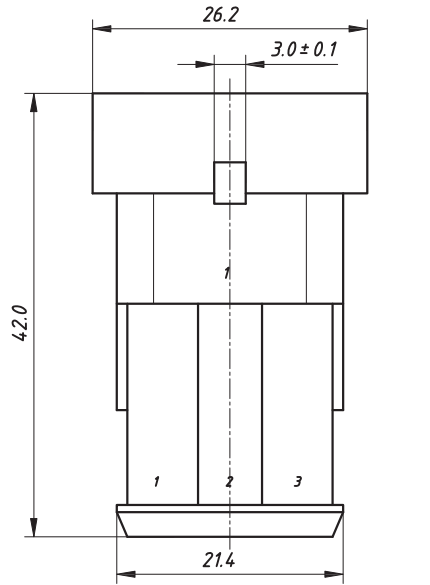


1
RoHS Compliance



Note:

1.Parts shall not have any flash or injection defects that may affect the using, no obvious solution mark etc

3."♦" Special Characteristics

4.NO. TOLERANCES GB/T14486-2008-MT6

Material:
1.Housing:PA66,Black,UL94V-0
2.Lock:PA66+GF,RED

ANGLE TOLERANCE	PROJECTION	Description:	3Holes Housing
±3°			
GENERAL TOLERANCE	UNITS	mm	CONN THERM
x.x ±0.30	SHEET SIZE	A4	
x.xx ±0.20	Draw:	Daniel 2018-07-10	
x.xxx ±0.10	Check:	Daniel 2018-07-10	