

PPC-Z10CPW-B6A1

Arestech

10.1" Fanless Multi-touch IP66/69K Full Waterproof Panel PC with ARM Cortex-A8



Features

- ARM Cortex-A8 1.0G Embedded CPU
- 10.1 LCD " 1280 x 800 resolution with Capacitive touch display
- M12 Connectors 1LAN, 2 USB2.0, 2 COM
- VESA and Yoke mounting
- -20~60° C Operating Temperature

Applications

- Food & Beverage Processing Industrial
- Pharmaceutical and Biopharmaceutical Equipment
- Embedded HMI Display System
- Factory Manufacturing Automation

→ Packing List

| Description |
|---------------------|
| 1 x PPC-Z10CPW-B6A1 |

→ Optional Items

| Part No. | Description |
|---------------|--|
| APW-60M24V-01 | 24V, 60W, 5A, 5-pin M12 Connector (US) |
| APW-60M24V-02 | 24V, 60W, 5A, 5-pin M12 Connector (EU) |
| AKT-USB2M12 | M12 Connector to USB Cable, 2m |
| AKT-COM2M12 | M12 Connector to DB9 Cable, 2m |
| AKT-LAN2M12 | M12 Connector to LAN Cable, 2m |

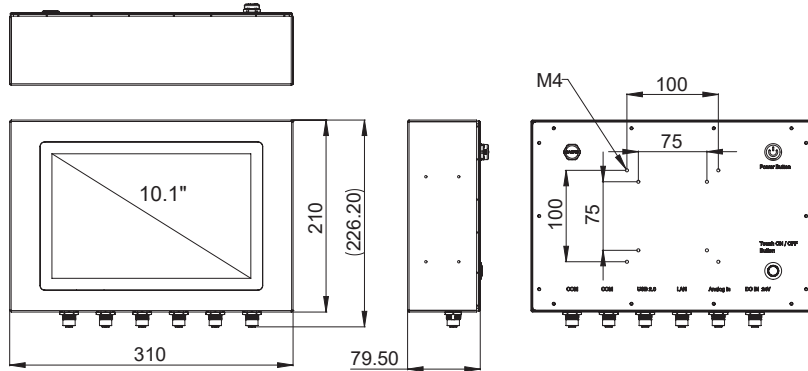
→ Ordering Information

| Part No. | Description |
|-----------------|--|
| PPC-Z10CPW-B6A1 | 10.1" 16:9 (1280 x 800), 500nits, Stainless Steel 316 Full IP66/69K Protection, Fanless Panel PC with ARM Cortex-A8 CPU, Projected Capacitive Touch, 2 USB 2.0, 2 RS-232/422/485, 1 LAN, 1 DC in, DC 24V (M12 Connector) |

PPC-Z10CPW-B6A1

Arestech

→ Dimensions



→ Specifications

| Model | | PPC-Z10CPW-B6A1 |
|------------------|---------------------------------|---|
| Processor System | CPU | ARM Cortex-A8 |
| | Frequency | 1 GHZ |
| | L2 Cache | 512 KiB |
| | System Chipset | N/A |
| Memory | BIOS | UEFI |
| | Technology | N/A |
| | Max. Capacity | 4 GB, 8 bit eMMC |
| Display | Socket/ (On Board) | N/A |
| | Panel Size | 10.1" LCD Panel |
| | Aspect Ratio | 16:9 |
| | Resolution | 1280 X 800 |
| | Viewing Angle | 85 x 85 (H) x 85 x 85 (V) |
| | Brightness | 500 (cd/m2) |
| | Contrast Ratio | 800:1 |
| | VGA / HDMI / DP / DVI | N/A |
| Touchscreen | Multi Display | N/A |
| | Touchscreen Type | Projected Capacitive |
| | Surface Hardness | 7 Mohs |
| | Durability | N/A |
| I/O Interface | Transparency | 90% (±3%) |
| | USB | 2, USB 2.0 (M12 Connector) |
| | Serial Port | 2, COM (RS232/422/485) (M12 Connector) |
| | Digital I/O | N/A |
| | Ethernet | Single GbE, 10/100 Mbps (M12 Connector) |
| Expansion | Others | 1 Touch BT, 1 DC in |
| | miniPCIe/ M.2 Slot | N/A |
| Audio | PCI/ PCIe Slot | N/A |
| | Connector | N/A |
| Storage | SD Card | SD |
| | mSATA/ M.2 / eMMC | N/A |
| Power | Power On Model | AT/ATX |
| | Power Supply Voltage | 24 V DC input |
| | Connector Type | M12 Connector |
| | Power Consumption(Typical/Max.) | Typical:1A@12V(12W), Max:1.8A@12V(21.6W) |
| | Battery | CR2032;3.3V |
| Mounting | VESA Mount | 75mmx 75mm; 100mm x 100mm |
| | Panel Mount | N/A |
| | Others | Yoke Mount |
| Environment | Operating Temperature | -20 ~60° C (-4~ 158° F) w/ 2.5" HDD (Operational humidity: 60° C @ 95% RH Non-Condensing) |
| | Storage Temperature | -40~85° C (-40~185° F) |
| | Humidity | 5~95% @ 40° C, non-condensing |
| | Vibration | 1 Grms, IEC 60068-2-64, random, 5~500 Hz, 1 Oct/min., 1hr/axis, x, y, z 3 axes |
| | Shock | 20 G, IEC 60068-2-27, half sine, 11 ms duration |
| General | Certification | TBD |
| | Thermal Dissipation | Fanless |
| | Material, Surface Finish | Stainless steel 316, Brush polish |
| | Ingress Protection | Full IP66/IP69K Protection |
| | Dimensions (L x W x H) | 310 x 79.5 x 210 mm (12.2"x 3.13"x 8.26") |
| | Net Weight | 3.145 kg (7.51lb) |