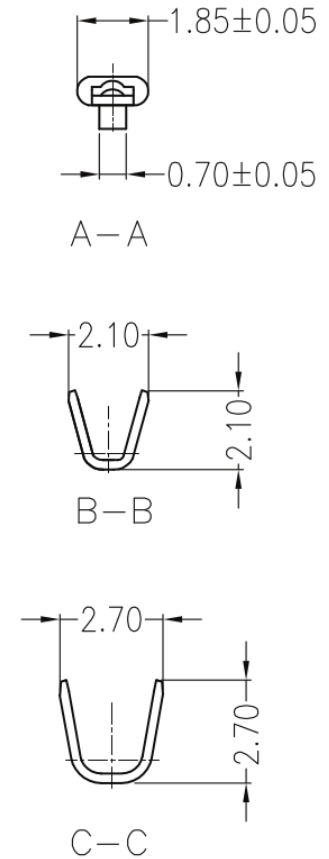
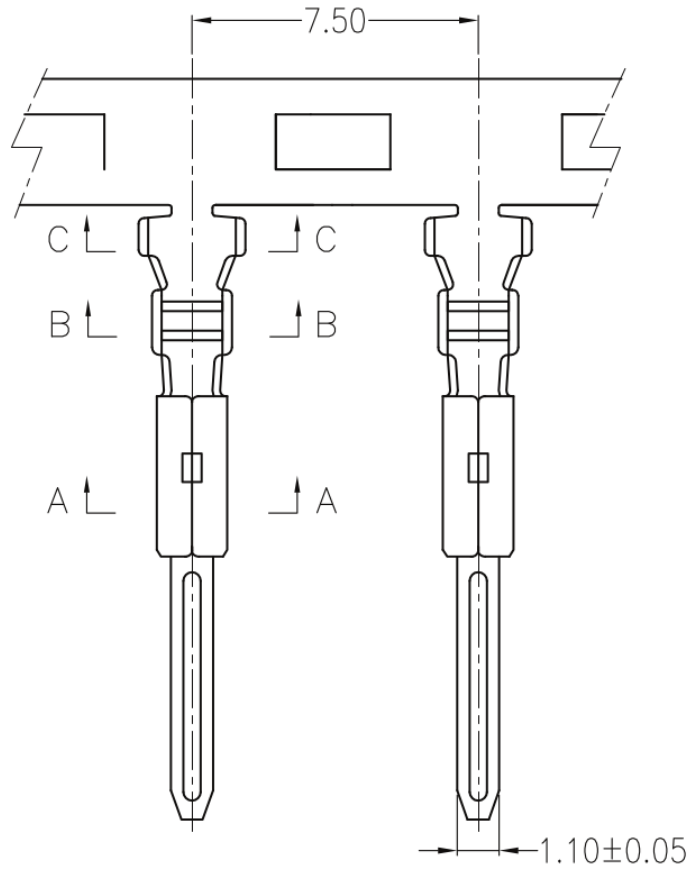
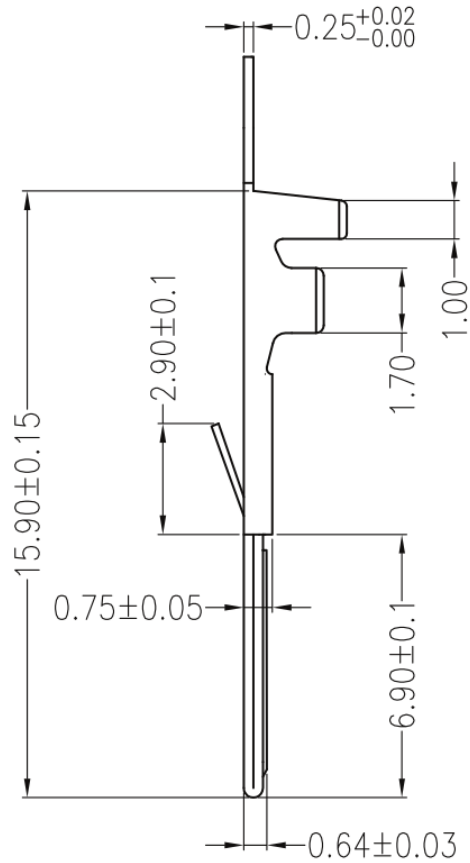


REV	DESCRIPTION	DESIGN	DATE
A0	Release		



Ordering Information & Specification:

Part No	Wire Range	Insulation O.D.	Material	Finish	Qty/Reel
	AWG #22~#28	1.0~1.80mm	Phosphor bronze	Sn-plated	10,000 pcs

LEDsconn			TITLE:	
X±0.5	X±5'	USE: CUSTOMER	PART NO.:	
.X±0.3	.X±2'		APPD:	
.XX±0.25	.XX±1'	CHKD:	DWG NO.:	
--	--	DR:	SCALE 1 : 1	SHEET 1 / 1
UNITS: mm				