

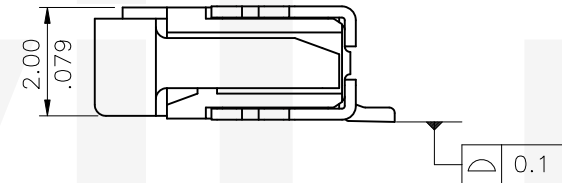
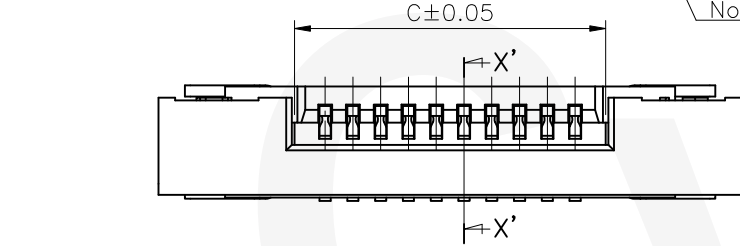
Ordering Code

CF20 ** 2 U 0 *0 -NH
 ① ② ③ ④ ⑤ ⑥ ⑦

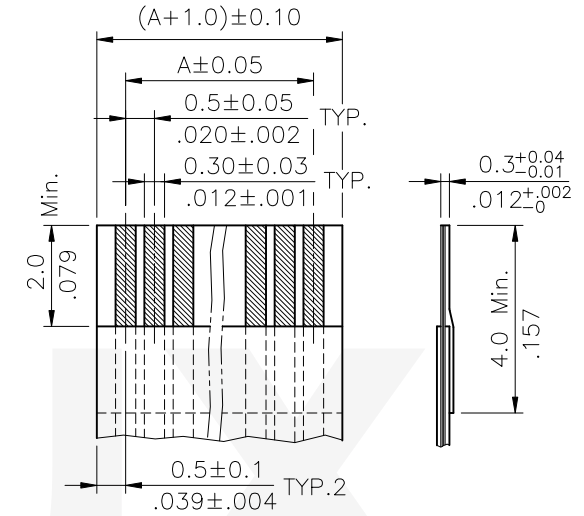
- ① Series No.
- ② No. of Circuits
- ③ Plating code:
2 = Gold flash plated over
1.27μm(50μ") Nickel
- ④ Contact style: U = Upside contact
- ⑤ Color: 0 = Nature
- ⑥ Other option: R0 = Tape & Reel
T0 = Tube Packing
- ⑦ Other option:
NH = For Lead Free IR Processes
and Halogen-Free

Material :

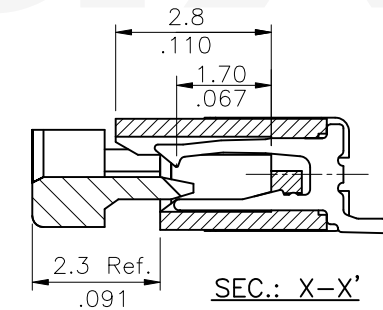
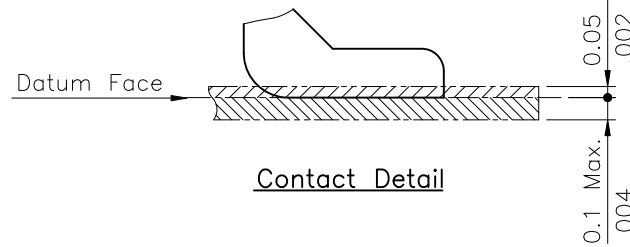
- * Body : High temperature plastic UL 94V-0
Color Nature
- * Slider : High temperature plastic UL 94V-0
Color Black
- * Contact : Copper alloy with Matte Tin plated
- * Fixed tab : Copper alloy with Matte Tin plated



A = 0.50 * No. of Spaces
 B = A + 6.0
 C = A + 1.1
 * Available in 4 through 55 circuits



Accommodated FFC/FPC

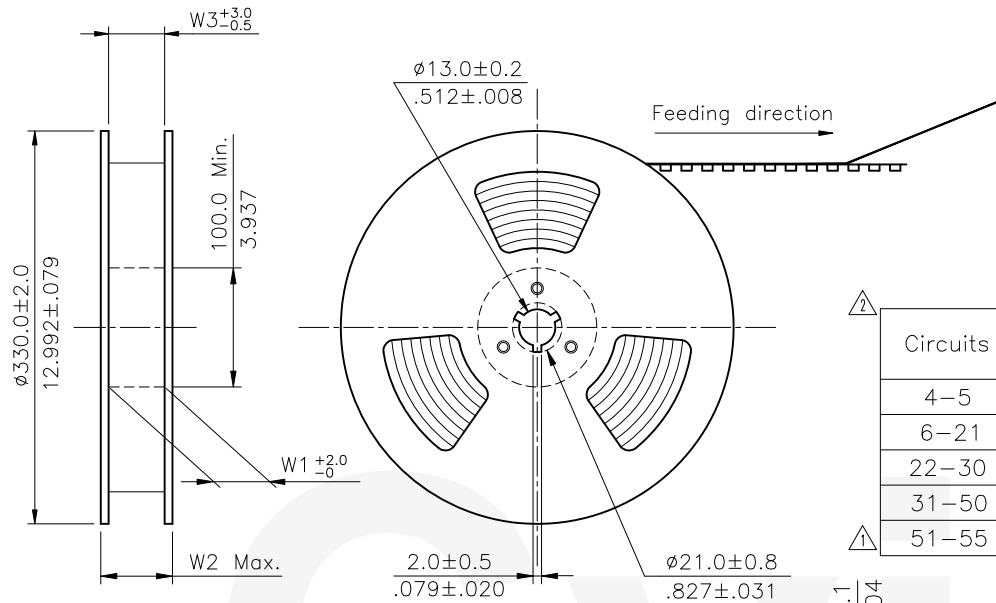


Halogen-Free
 Lead Free Process
 RoHS Compliant

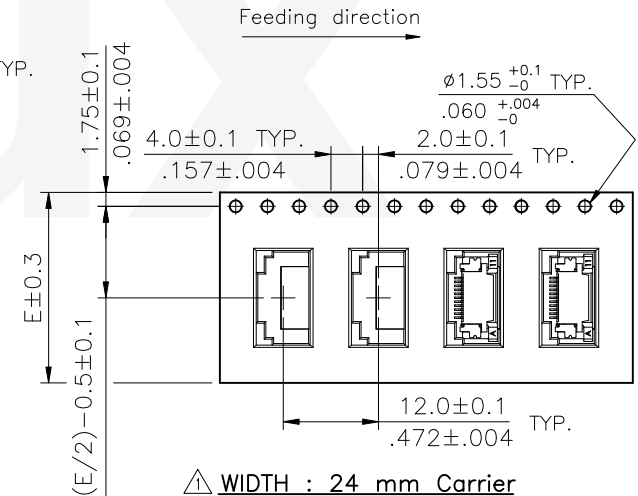
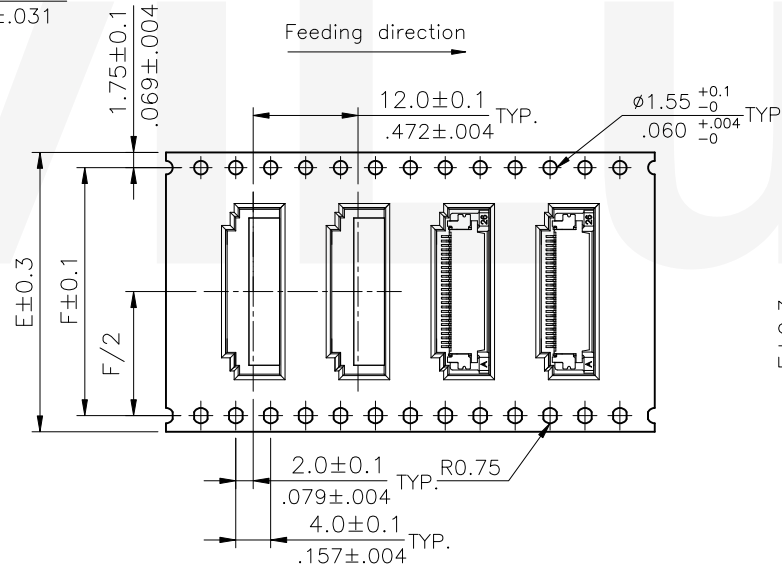
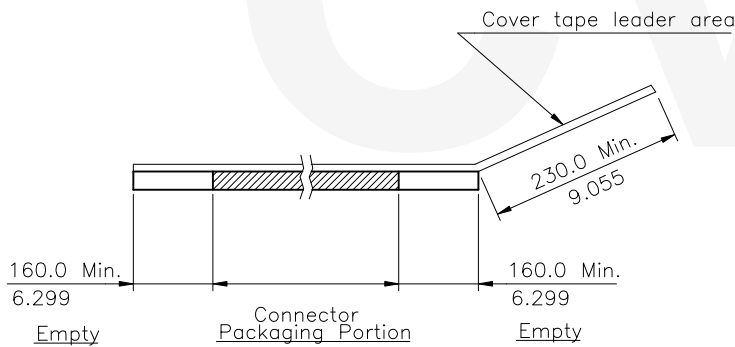
④					DATE	UNIT: mm / inch	TITLE: 0.50mm(.031") ZIF FFC/FPC UPSIDE CONTACT SURFACE MOUNT CONNECTOR	 瀚荃股份有限公司 CviLux Corporation
③					DRAWN BY: Yushu	TOLERANCE UNLESS OTHERWISE SPECIFIED	MATERIAL:	
②	Yushu	7/04-19'	ECRB119036/ECNT119159	2019.07.18 ISSUED	ENGINEER: Sun	.X ± 0.15/.006 X' ± 1'	FINISH:	
①	Karen	7/14-12'	ECR11040-1/ECN11179/ECN11192/ECN12157-0		CHECKED BY: Eisley	.XX ± 0.10/.004 X' ±	DRAWING NO. CF2097SC PART NO. CF20**2U0*0-NH	
SYM	NAME	DATE	REVISIONS		APPROVED BY: Eisley	7/12-19'	.XXX ± 0.05/.002 X' ±	SCALE 7 / 1 SHEET 1 OF 2

NOTE :

- △ * Reel Material : Corrugated Paper
- * Carrier Material : Clear, Conductive Polystyrene Alloy
- * Cover Tape Material : Polyester
- * Cover Tape Peel Strength : 0.1N - 1.3N
- * Carrier camber is within 1mm in 100mm
- * All dimensions meet EIA-481-2 & EIA-481-3 requirements.
- * Quantity : 2000 PCS/Reel



Circuits	Dimension					Packing (Reel/Carton)
	E	F	W1	W2	W3	
4-5	16.0(.630)	-	16.5(.650)	22.5(.885)	16.5(.650)	11
6-21	24.0(.945)	-	24.5(.965)	30.5(1.200)	24.5(.965)	9
22-30	32.0(1.260)	28.40(1.118)	32.5(1.280)	38.5(1.516)	32.5(1.280)	7
31-50	44.0(1.732)	40.40(1.596)	44.5(1.752)	50.5(1.988)	44.5(1.752)	5
51-55	56.0(2.205)	52.40(2.063)	56.5(2.224)	62.5(2.461)	56.5(2.224)	4



△ WIDTH : 32,44,56 mm Carrier

△ WIDTH : 24 mm Carrier

RoHS Compliant

CIVILUX CORP
2019.07.18
ISSUED

SYM	NAME	DATE	REVISIONS	APPROVED BY:	DATE	UNIT: mm / inch	TOLERANCE UNLESS OTHERWISE SPECIFIED	MATERIAL:	FINISH:	DRAWING NO.	PART NO.	SHEET	OF	2
4														
3														
2														
1	Karen	7/14-12'	ECR11040-1/ECN11179/ECN11192/ECN12157-0	CHECKED BY:	Eisley	7/12-19'	.X ± .XX ± .XXX ±	X' ± 1' .X' ± .XX' ±			CF2097SC	CF20**2U0*0-NH	2	2
				APPROVED BY:	Eisley	7/12-19'				SCALE				

TITLE: 0.50mm(.031") ZIF FFC/FPC
UPSIDE CONTACT SURFACE
MOUNT CONNECTOR

瀚荃股份有限公司
CviLux Corporation