

# CONNTERM

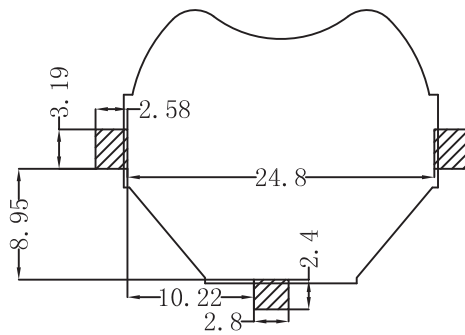
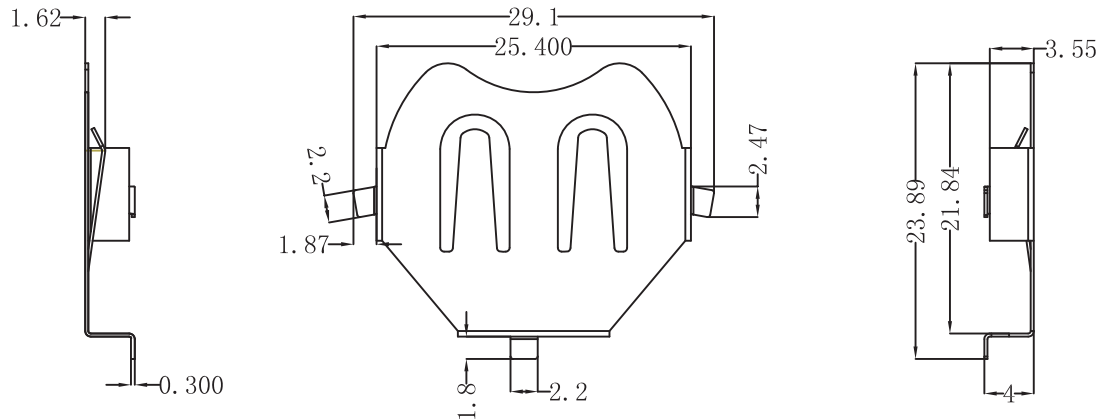
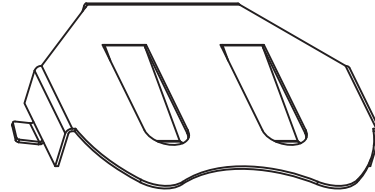
## CR2430 Battery button

**Material:**

Contacts: Steel; Nickel plated

**Package:**

R=Tape;P=Blister



PCB Layout Diagram  
Top View

