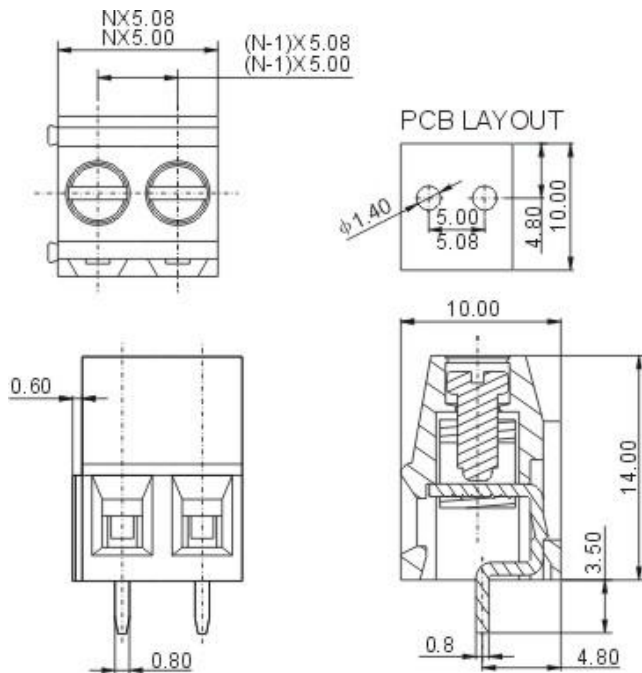




DG500-5.0
DG500-5.08



APPROVAL		
Electrical		
Standard	UL	IEC
Rated voltage	300V	250V
Rated current	15A	18A
Wire range	24-12AWG	2.5mm ²
Withstanding voltage	AC2000V/1Min	

Mechanical	
Torque	0.4Nm(3.5Lb-In)
Ambient temperature	-40°C ~ +105°C
Strip length	7mm
Dimensions	
pitch	5.0mm(.197") 5.08mm(.200")
Poles	2P,3P-24P

Material	
Housing	PA66,UL94V-0
Screws	M2.5,Steel, Cr ³⁺ Znplated
Pin header	Brass,Tin plated
Cage	Brass,Ni plated

HOW TO ORDER :

- **P** - -

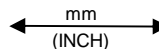

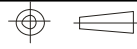
X	X	X
---	---	---

Customer Request

Series number **No. of pole** **Color**

1	Single pitch
2	Double pitch

1	Grey	4	Green	7	Trans Parent
2	Blue	5	Orange	8	Yellow
3	Black	6	Red	9	White

 mm (INCH)	 DEGSON ELECTRONICS CO., LTD.
 THROANGLE PROJECTION	NAME DG500-5.0 DG500-5.08