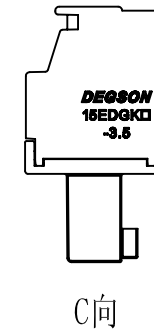
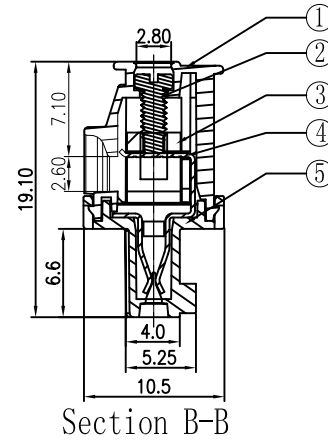
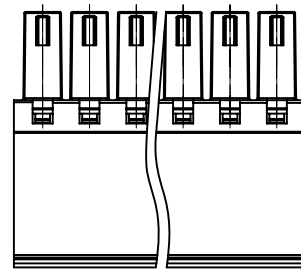
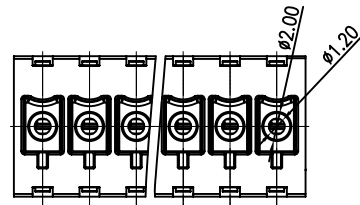
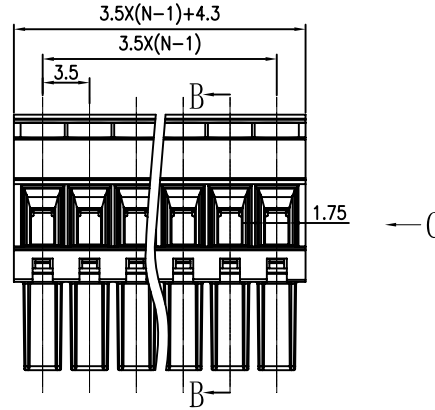
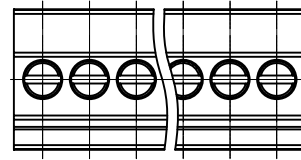
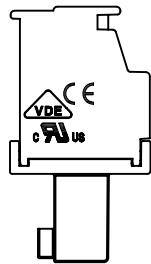


| REVISION RECORD | | | | |
|-----------------|-----|-------------|------|------|
| REV | ECO | DESCRIPTION | DRFT | DATE |
| | | | | |

Notes:

1. Pitch: 3.5mm , Poles: 2-24P
2. Rated voltage/current: UL 300V/8A
VDE 250V/7A
3. Operation temperatures: -40°C ~ +105°C
4. Withstanding Voltage: AC2000V/1Min
5. Insulation Resistance: 5000MΩ / DC1000V
6. Wire Range: 28~16AWG, 0.5-1.5mm²
7. Max. Torque Value: M2, 2.04kgf.cm (1.77Lb. in)
8. Undimensioned Tolerances:

| Pitch range in mm | | Nominal dimension range in mm | | | | | — |
|-------------------|--------------|-------------------------------|-------|---------------|----------------|-----------------|---------|
| to 6 | over 6 to 10 | over 10 to 24 | to 30 | over 30 to 60 | over 60 to 100 | over 100 to 150 | ∩ |
| ±0.10 | ±0.15 | ±0.25 | ±0.2 | ±0.3 | ±0.5 | ±0.7 | ±1 |
| | | | | | | | 0.05/10 |



| 5 | 15EDGKA/B-3.5-100A-Cover | 1033COYXXE (H) | 1 | PA66 | UL94V-0 |
|------|----------------------------|----------------|------|-----------------|---------------------|
| 4 | 15EDGKA/B-100A-Clamp | 1033B00020 (H) | XX | Phosphor bronze | SnCe |
| 3 | 15EDGK Cage | X00000010 (H) | XX | Brass | Ni Plated |
| 2 | 15EDG Screw-M2.0 | S000001360 (H) | XX | Steel | Cr ³⁺ Zn |
| 1 | 15EDGKA/B-3.5-100A-Housing | 1033A0YXXE (H) | 1 | PA66 | UL94V-0 |
| ITEM | NAME OF PART | NO. OF PART | Q"TY | MATERIAL | NOTES |

| | | | | |
|----------------|----------------------------|------------|----------------------|--|
| DETACHED LISTS | MM (INCH) | DFTO Apple | DATE 04/11/09* | 宁波高正电子有限公司 DEGSON ELECTRONICS CO., LTD |
| | TOLERANCES EXCEPT AS NOTED | CHKD | DATE | |
| | | MFO | DATE | |
| | | APPVL | DATE | |
| | | MATERIAL : | | |
| | ANGLES ± 1° | | G.E : | |
| | THIRD ANGLE PROJECTION | | FINISH : | |
| | | | SCALE : 1:1 | NAME 15EDGKB-3.5-XXP-1Y-100A (H) |
| | | | DO NOT SCALE DRAWING | |
| | | | SHEET 1 | DRAWING NO. 15EDGKB-3.5-E100 /PART NO. SIZE A3 REV TO 09/10/10* |
| | | | OF 1 | |