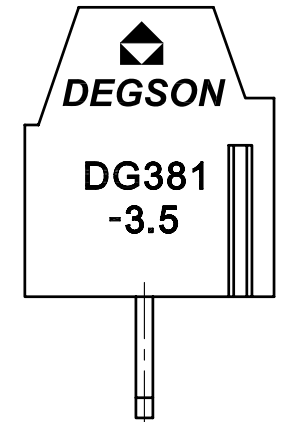
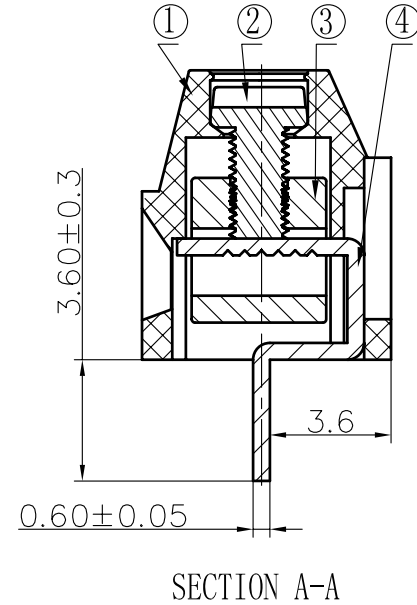
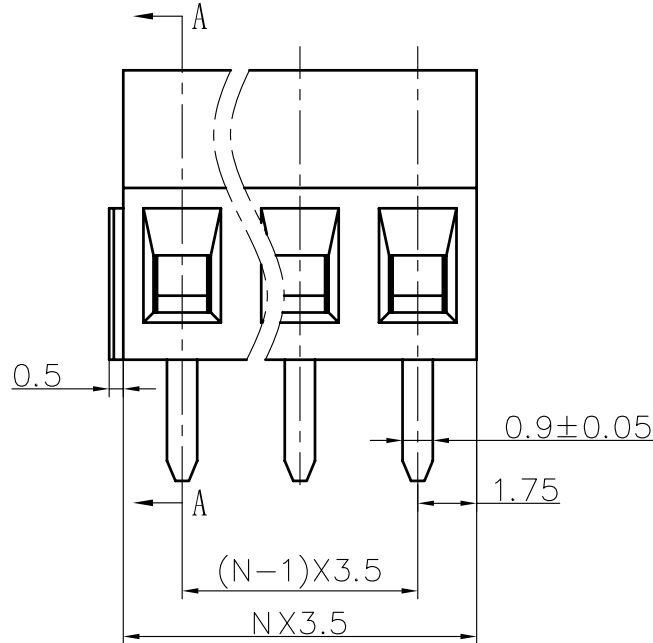
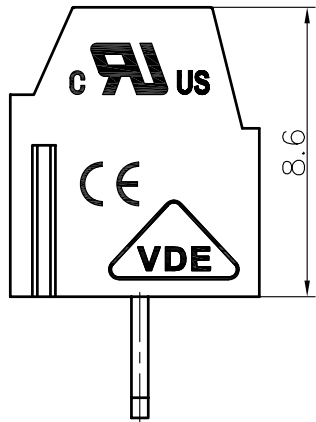
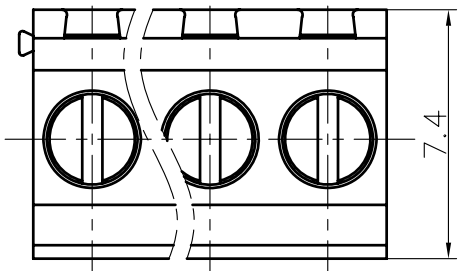


REVISION RECORD				
REV	ECN	DESCRIPTION	DRFT	DATE

- NOTES:
- 1.DIMENSION SHALL BE INTERPRETED PER ASME Y14.5-2009.
 - 2.PITCH: 3.5MM ,POLES: 2-24P
 - 3.RATED VOLTAGE/CURRENT: UL 150V/10A
VDE 130V/10A
 - 4.OPERATION TEMPERATURES: -40°C~+105°C
 - 5.WITHSTANDING VOLTAGE: AC2000V/1MIN
 - 6.INSULATION RESISTANCE: 5000MΩ/DC1000V
 - 7.WIRE RANGE: 26~16AWG,1.0MM²
 - 8.MAX.TORQUE VALUE:M2,2.04KGF.CM
 - 9.UNDIMENSIONED TOLERANCES:

Pitch range in mm		Nominal dimension range in mm						
to 6	over 6 to 10	over 10 to 24	to 30	over 30 to 60	over 60 to 100	over 100 to 150	over 150	∩
±0.10	±0.15	±0.25	±0.2	±0.3	±0.5	±0.7	±1.0	∇



4	DG381 Pin header	4047B00010(H)	XX	Phosphor bronze	SnCe
3	DG381 Cage	X000000300(H)	XX	Brass	Ni plated
2	DG381 Screws	S000001440(H)	XX	Steel	Cr ³⁺ Zn

ITEM	NAME OF PART	NO. OF PART	Q"TY	MATERIAL	NOTES
1	DG381-3.5-Housing	4032A0YXXA(H)	1	PA66	UL94V-0

MM (INCH)		MATERIAL:	DEGSON®		
TOLERANCES EXCEPT AS NOTED		FINISH:	NAME: DG381-3.5-XXP-1Y-00A(H)		
.X ±	.X' ±	PART NO.:			
.XX ±	.XX' ±	APPD:			
.XXX ±	.XXX' ±	CHKD:	TITLE: ASSEMBLY DRAWING	REV	T4
ANGLES ± 1°		DRFT: Haoyh. 05/16/05"	DRAWING NO.: DG381-3.5-E02	DO NOT SCALE DRAWING	
THIRD ANGLE PROJECTION		SCALE	N/A	SHEET 1/1	