

100W Constant Voltage Slim-US Series



Features

- Class II, SELV, independent
- Input Voltage 220-240VAC
- Protections: SCP/OLP/OTP
- Power Factor > 0.95
- Efficiency ≥88%
- 5 years warranty

Applications

- LED strips

■ Approve

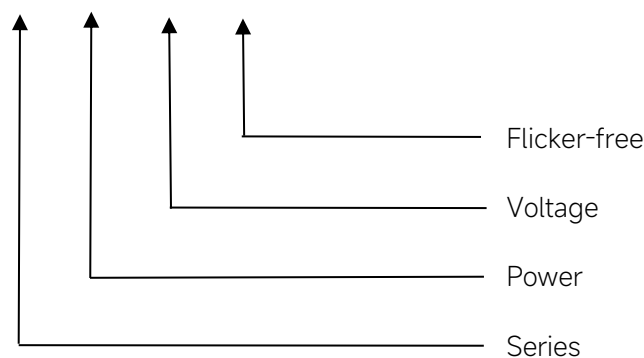


◆ Description

US-100-XX LI1 is a 100W constant voltage LED driver that operates from 198-264Vac input with 12V, 24V or 48V output voltage. With it's slim dimensions from 365 x 30 x 18mm. it is easy to integrate in LED strips product. To ensure trouble-free operation, protection is provided against output short circuit, over Load and over temperature.

◆ Model code

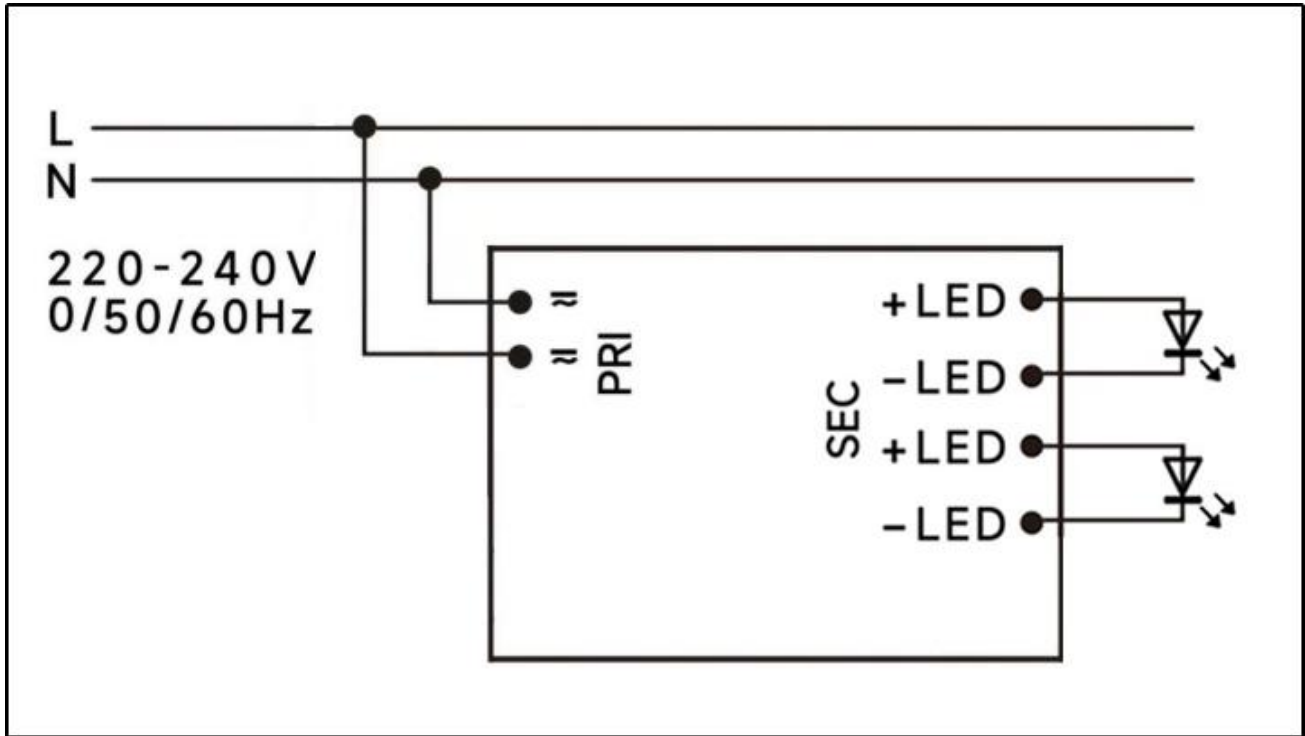
US-100-XX LI1



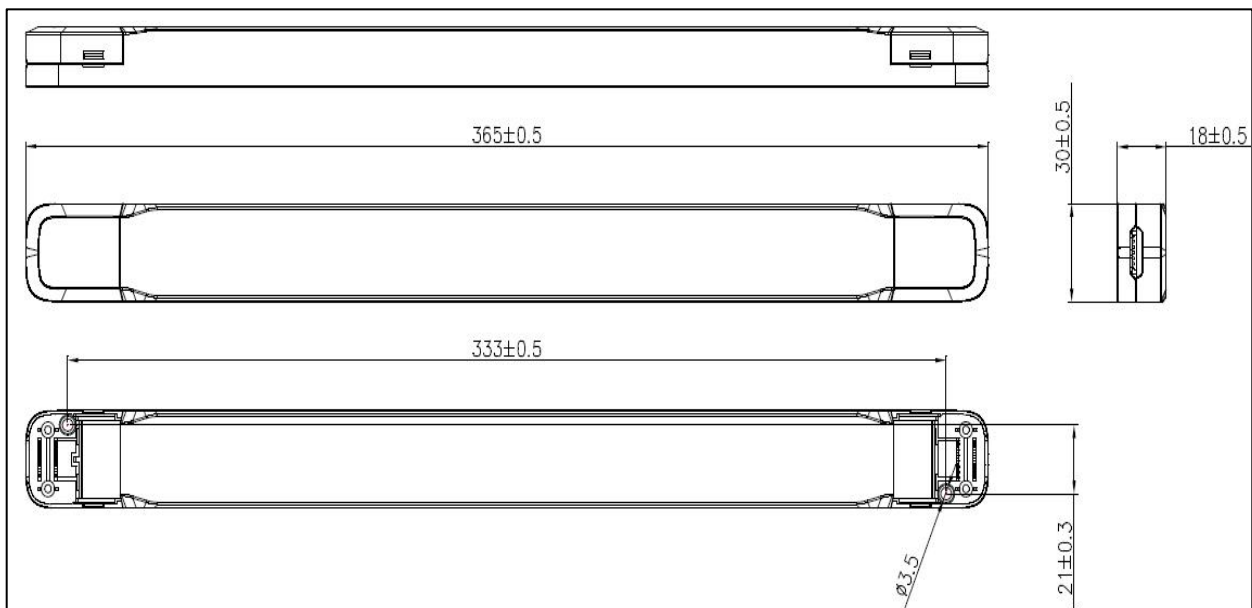
◆ Specification

	Constant Voltage	12VDC	24VDC	48VDC
Output	Current Range	0.833-8.33A	0.417-4.17A	0.208-2.08A
	Voltage Accuracy	±5%		
	Output HF current ripple(≥1KHz)	±1%		
	Output LF current ripple(≤120Hz)	±1%		
	SVM	≤0.4@Full Load		
	Pst	≤1@Full Load		
	Efficiency(Typ.)	≥88%	≥91%	
	Input	Rated input voltage	220-240VAC	
Range of input voltage		198-264VAC		
Rated input voltage(DC)		176-250VDC		
Frequency(Hz)		0/50/60 Hz		
Power Factor		≥0.95		
Input Current max		0.78A		
Start-up time		< 0.5S		
No Load Power		≤0.5W		
THD (Typ.)		< 15%		
Protection	Over Load Protection	105-150%		
	Short circuit Protection	YES/Auto Resume		
	Over Temperature Protection	YES/Auto Resume		
Environment	Operating Temperature	-20°C~+45°C		
	Humidity	20%-90%RH		
	Tc	90°C	85°C	
	Storage Temperature	-20°C~+45°C		
	Life time	> 50000h@Tc=75°C		
Surface	Dimension	365X30X18LXWXH)mm		
standards	EN 61347-1; EN61347-2-13; EN62384; EN55015; EN61000-3-2 ; EN61000-3-3; EN 61547;			
Others	ErP	EU 2019/2020		
	RoHS	RoHS (2011/65/EU) (EU)2015/863		
Note	1.All parameters NOT specially mentioned are measured at 230VAC input , full load and 25°C of ambient temperature. 2.Ripple & Noise are measured at 20MHz of bandwidth by using a 300mm twisted pair-wire terminated with a 0.1uF & 47 uF parallel capacitor. 3.Data are typical values obtained from test samples. 4.Dimmable via external PWM LED dimmers attached on output side.			

◆ Wiring diagram

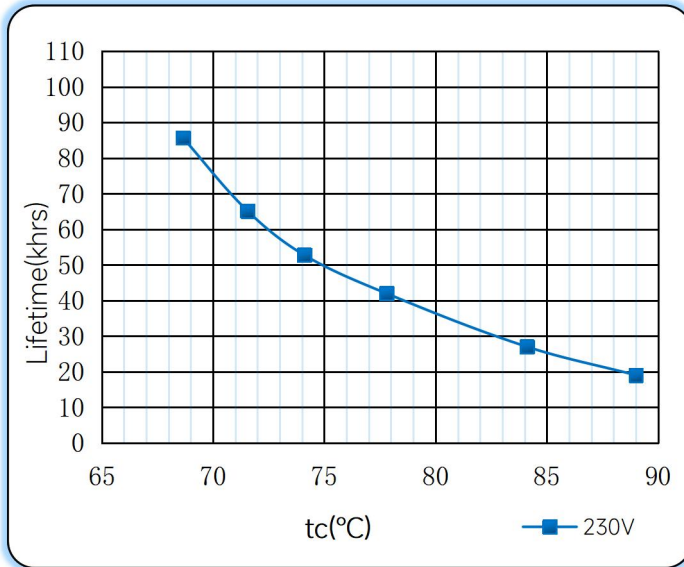


◆ 2D diagram

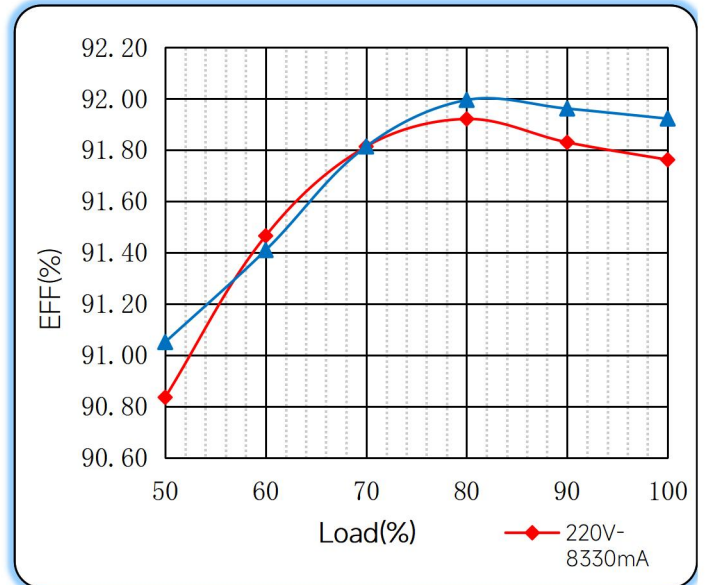


◆ Curve for US-100-12 LI1

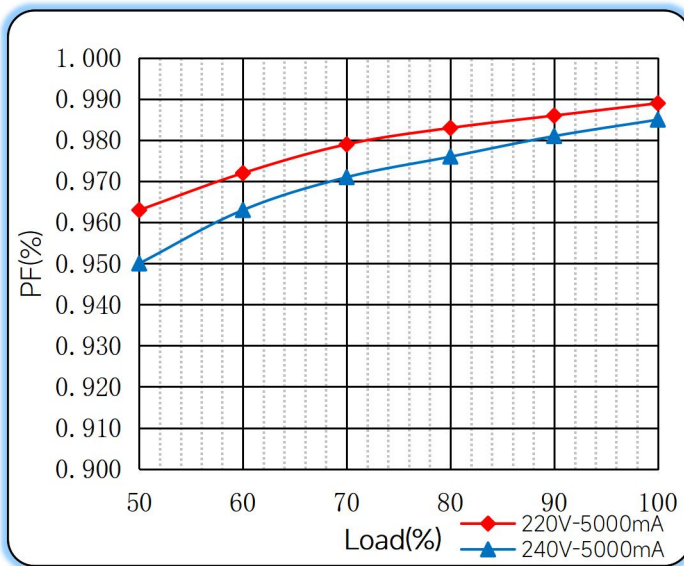
Lifetime vs. Temperature Curve



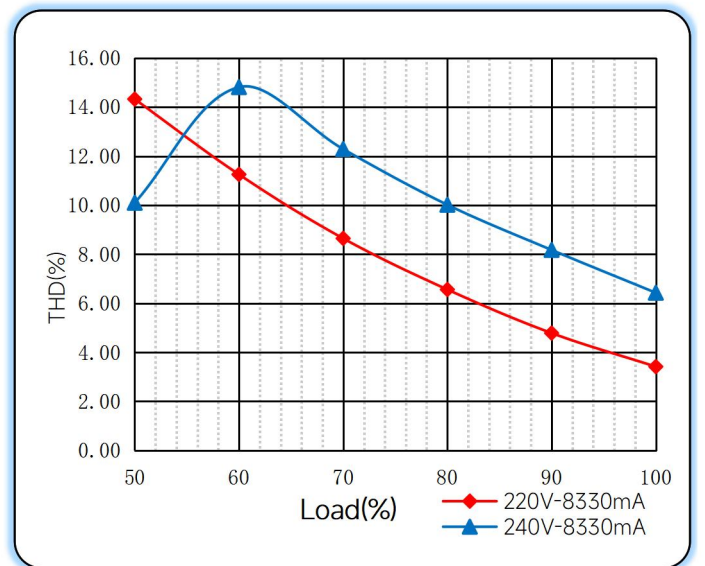
Efficiency vs. Load



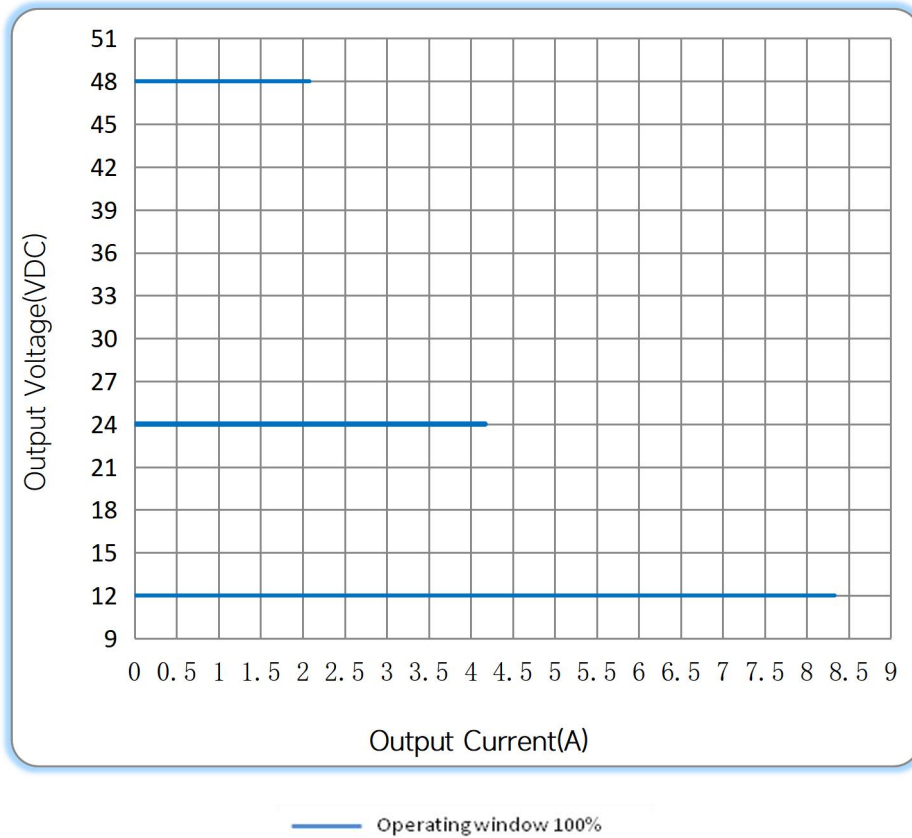
Power Factor Characteristics



THD vs. Load



◆ Operating window



◆ Revision Updates

ITEM	BEFORE	AFTER	VERSION	DATE
Initial			A	2022/05/15

Tel: +86-0757-86256822, +86-0757-86256831

E-mail: sales@eaglerise.com

Website : <https://lighting.eaglerise.com>



EAGLERISE



Manual