

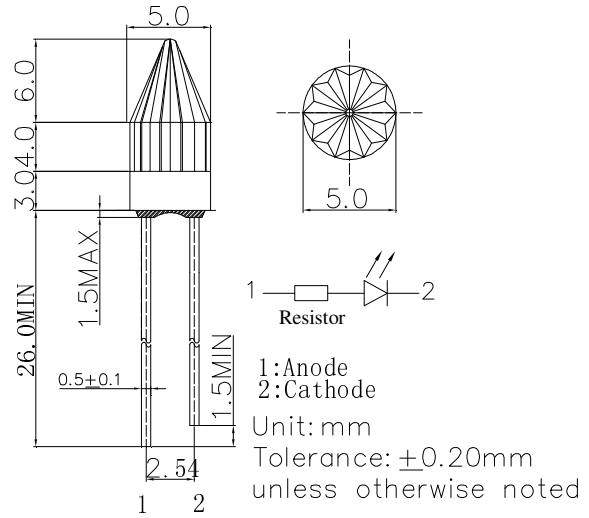
■ **Features**

- High Luminous LEDs
- 5mm Rocket Standard Directivity
- UV Resistant Epoxy
- Integral Current Limiting Resistor
- TTL Compatible (Requires No External Current Limiter With 12 Volt Supply)
- Cost Effective (Saves Space and Resistor Cost)
- Water Clear Type

■ **Applications**

- Status Indicators
- Other Lighting

■ **Outline Dimension**

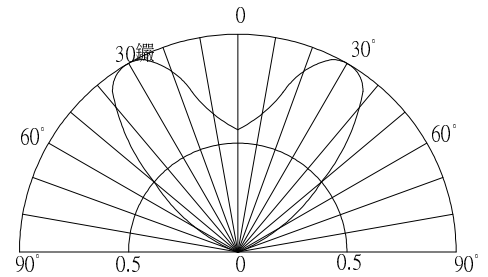


■ **Absolute Maximum Rating**

(Ta=25°C)

Item	Symbol	Value	Unit
DC Forward Voltage	V _F	15	V
Reverse Voltage	V _R	5	V
Power Dissipation	P _D	225	mW
Operating Temperature	Topr	-30 ~ +85	°C
Storage Temperature	Tstg	-30 ~ +85	°C
Lead Soldering Temperature	Tsol	260°C/5sec	-

■ **Directivity**



*Pulse width Max.10ms Duty ratio max 1/10

■ **Electrical -Optical Characteristics**

(Ta=25°C)

Part Number	Color		I _F (mA)			I _v (mcd)			λD(nm)			2θ1/2(deg)
			Min	Typ.	Max.	Min.	Typ.	Max.	Min.	Typ.	Max.	Typ.
			V _F = 12V			I _F = 20mA						
OSW5DK58A1B-12V	White	W	-	10	15	750	1120	-	X=0.27, Y=0.28(8500-18000K)			100
OSM5DK58A1B-12V	Warm White	M	-	10	15	500	750	-	X=0.44, Y=0.41(2700-3200K)			100
OSK5DK58A1B-12V	Pink	K	-	10	15	330	500	-	X:0.45 Y:0.17			100
OSB5SA58A1B-12V	Blue	B	-	10	15	500	750	-	465	465	475	100
OSG5DA58A1B-12V	Pure Green	PG	-	10	15	750	1120	-	520	525	530	100
OSY5PA58A1B-12V	Yellow	Y	-	10	15	500	750	-	585	590	595	100
OSO5PA58A1B-12V	Orange	O	-	10	15	500	750	-	600	605	610	100
OSR5PA58A1B-12V	Red	R	-	10	15	500	750	-	620	625	630	100

*1 Tolerance of measurements of chromaticity coordinates is ±10%

*2 Tolerance of measurements of dominant wavelength is ±1nm

*3 Tolerance of measurements of luminous intensity is ±15%

*4 Tolerance of measurements of forward voltage is ±0.1V