

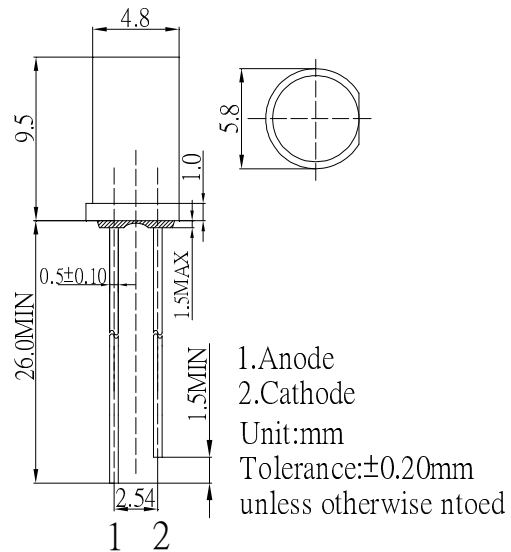
### ■ Features

- High Luminous LEDs
- 5mm Flat Standard Directivity
- UV Resistant Epoxy
- Water Clear Type

### ■ Applications

- Electronic Signs And Signals
- Small Area Illuminations
- Back Lighting
- Other Lighting

### ■ Outline Dimension



### ■ Absolute Maximum Rating

(Ta=25°C)

| Item                       | Symbol           | Value      | Unit |
|----------------------------|------------------|------------|------|
| DC Forward Current         | I <sub>F</sub>   | 30         | mA   |
| Pulse Forward Current#     | I <sub>FP</sub>  | 100        | mA   |
| Reverse Voltage            | V <sub>R</sub>   | 5          | V    |
| Power Dissipation          | P <sub>D</sub>   | 78         | mW   |
| Operating Temperature      | T <sub>opr</sub> | -30 ~ +85  | °C   |
| Storage Temperature        | T <sub>stg</sub> | -40 ~ +100 | °C   |
| Lead Soldering Temperature | T <sub>sol</sub> | 260°C/5sec | -    |

#Pulse width Max 10ms , Duty ratio max 1/10

### ■ Electrical -Optical Characteristics

(Ta=25°C)

| Item                 | Symbol            | Condition            | Min. | Typ. | Max. | Unit |
|----------------------|-------------------|----------------------|------|------|------|------|
| DC Forward Voltage*1 | V <sub>F</sub>    | I <sub>F</sub> =20mA | -    | 2.1  | 2.6  | V    |
| DC Reverse Current   | I <sub>R</sub>    | V <sub>R</sub> =5V   | -    | -    | 10   | μA   |
| Peak Wavelength*2    | λ <sub>p</sub>    | I <sub>F</sub> =20mA | 565  | 570  | 575  | nm   |
| Luminous Intensity*3 | I <sub>v</sub>    | I <sub>F</sub> =20mA | 150  | 220  | -    | mcd  |
| 50% Power Angle      | 2θ <sub>1/2</sub> | I <sub>F</sub> =20mA | -    | 50   | -    | deg  |

\*1 Tolerance of measurements of forward voltage is ±0.1V

\*2 Tolerance of measurements of peak wavelength is ±1nm

\*3 Tolerance of measurements of luminous intensity is ±15%

### ■ Directivity

