

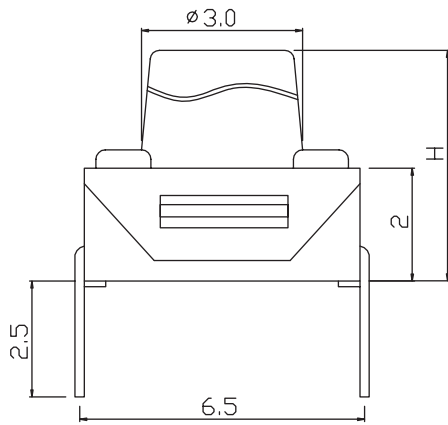
CONNTHERM

Switch

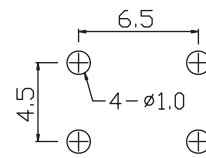
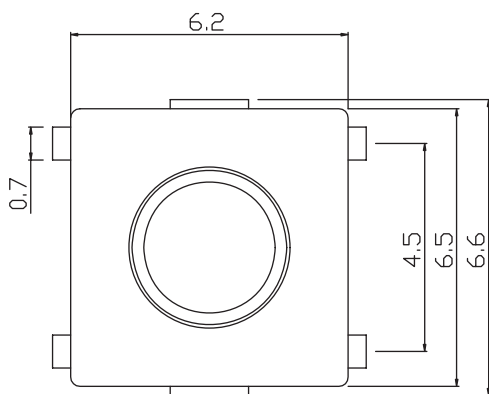
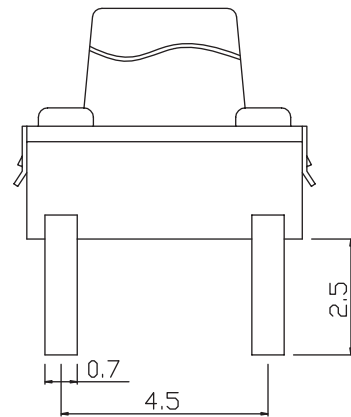
6x6mm Tact Switch Series

ELECTRICAL

1. Rating: 50mA 12VDC
2. Contact Resistance : 50mΩ max(initial)
3. Insulation Resistance: 100MΩ(minDC 250V)
4. Dielectric Strength : AC250V(50/60Hz for 1minute)
5. Electrically Life: 100000cycles
6. Environment temperature: -20°C~+70°C
7. Operating Force: 180/250(±30gf)
8. Seal temperature: 260°C~ 280°C



H
2.5
2.7
3.1
3.4
3.8
5.1



PCB LAYOUT