

# CONN THERM

## Switch

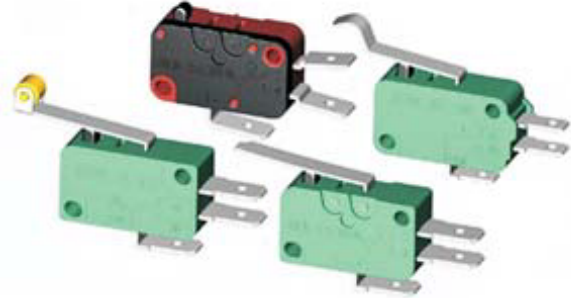
### Micro Switch Series

#### Features

Small contact clearance, high sensitivity  
 Snap action, high precision and high repeat accuracy  
 Flexible operating travel, wide range of operating force  
 Wide variety of terminal types  
 Wide variety of actuator forms  
 Adopt flame-retarded and fiber enhanced thermoplastics  
 Long life cycles, high reliability  
 Various approvals

#### Application

Widely applied in home appliances, medical devices, office facility, instrument and apparatus, electric motion tools, packing machinery, auto electronics etc.  
 Examples: vending machines, gaming machines, coffee machines, dishwashers, dryers, washing machines, microwave ovens, Central water heating, vacuum cleaners, water pump, projecting apparatus, industrial automations etc.



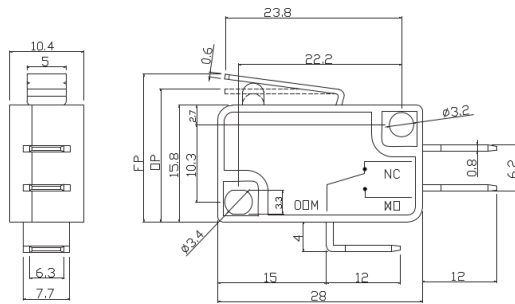
#### Specifications

Items		Value
Operating speed		0.1mm - 1m/s
Operating Frequency		Mechanical 60cycles/min Electrical 25cycles/min
Insulation resistance		Min 100MOhm (DC500V)
Contact resistance		Max 30mOhm (Initial value)
Test voltage	Between terminals of same polarity	AC1500V 50/60Hz
	Between current-carrying metal parts and ground (case)	AC3750V 50/60Hz
Vibration resistance		10 - 55Hz 1.5mm Double amplitude
Shock resistance		Destruction: 0F>0.5N: 1000m/S <sup>2</sup> (approx. 100G) Max 0F=0.5N Max: 400m/S <sup>2</sup> (approx. 40G) Max Malfunction: 0F>0.5N: 200m/S <sup>2</sup> (approx. 20G) Max 0F=0.5N Max: 100m/S <sup>2</sup> (approx. 10G) Max
Life expectancy		Mechanical: Min 2000000cycles Electrical: Min 50000cycles
Degree of protection against electric		Class I/Class II
PTI		175
Approvals		UL CUL VDE TUV CE DEMKO CQC

# CONNTHERM



3OZ12L4



Model	3OZ12L4
□F (N)	0.3~4.5
MD Max(mm)	0.3
PT Max(mm)	19.8
□P Min(mm)	17.0