

# CONN THERM

## Switch

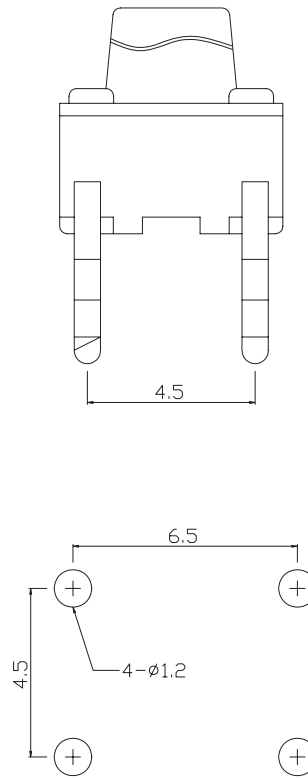
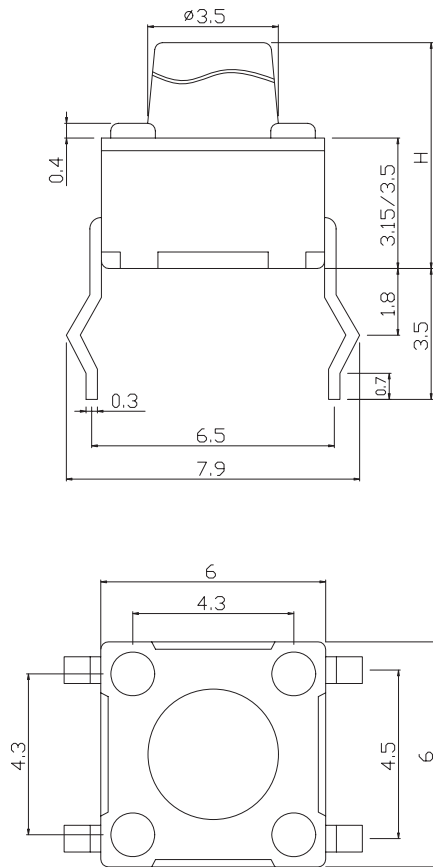
### 6x6 Tact Switch Series

#### ELECTRICAL

1. Rating: 50mA 12VDC
2. Contact Resistance : 50mΩ max(initial)
3. Insulation Resistance: 100MΩ(minDC 250V)
4. Dielectric Strength : AC250V(50/60Hz for 1minute)
5. Electrically Life: 100000cycles
6. Environment temperature: -20°C~+70°C
7. Operating Force: 180/250(±30gf)
8. Seal temperature: 260°C~ 280°C
9. operating temperature: -40°C~+85 °C



#### Dimension (unit: mm)



PCB LAYOUT

H
4.3
5.0
7.0
7.3
7.5
8.0
9.5
11.0
12.0
13.0
15.0
17.0
18.0
20.0
22.0
26.0