

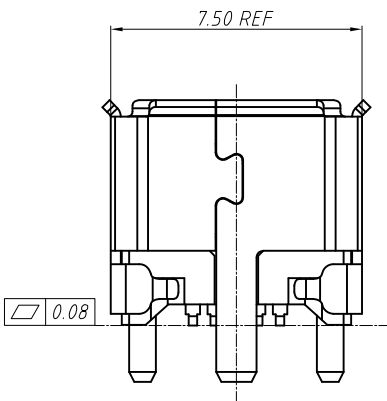
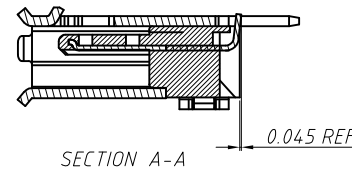
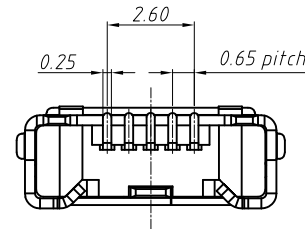
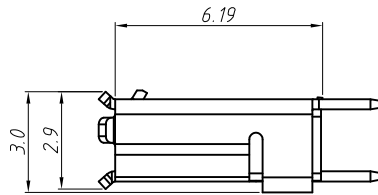
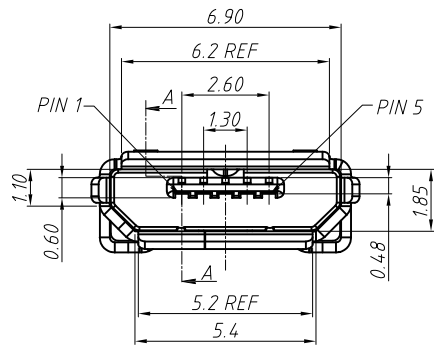
RECOMMEND PCB LAYOUT (TOP VIEW)
THK=1.6mm TOLERANCE:±0.05mm

Material:
Insulator:LCP-E130i,UL 94 V-0
Color:Black
CAP:LCP-E130i,UL 94 V-0,Color:Black
Contact:Brass C2680 R/H,T=0.15mm
Shell:Stainless Steel,SUS304 T=0.30mm

Plating:
Contact:Selective Gold Plated On Contact Area Gold Flash On Solder Tails,50u" min.
Nickel Under-plated Overall.
Shell:Nickel 50u" Min Plated Overall.Matte Tin 100u"-150u" Plating on surface overall

Electrical:
Contact Resistance:30mΩ Max
Insulation resistance:100MΩ min
Contact Current:1.8A
Dielectric Withstanding Voltage:100V AC RMS

Mechanical
Mating Force:35N.Max
Unmating Force:8n Min
Operating Temperature:-40°C TO +80°C.



Pin Assignment

Pin No.	Signal Name
1	VBUS
2	D-
3	D+
4	ID
5	GND
Shell	Shield

GENERAL TOLERANCE	ANGLE TOLERANCE	PROJECTION	Description:
X. ±0.60	X. ±5°	UNITS	mm
.X ±0.38	.X ±3°	SHEET SIZE	A4
.XX ±0.25	.XX ±2°		

Draw by: Date	2018-03-01
Check by: Date	2018-03-01
SCALE	SHEET OF

CONN THERM

Micro USB
B Type Receptacle V/T SMT