

# TPM-3310P-B6A1

Arestech

IP65 Protected 10.4" Stainless Steel Flat Panel  
Industrial Touch Monitor



## Features

- IP65 Protected Stainless Flat Panel Design
- 10.4" LCD, Capacitive touch display, Resolution 1024 x 768 (XGA)
- 4-point Multi-touch Display (Default: 2)
- 7 Mohs Screen Hardness

## Applications

- CNC Machines
- Embedded HMI Display System
- Factory / Manufacturing Automation
- Vending / Ticketing Machines

## → Packing List

Description
TPM-3310P
1 x USB Cable
1 x VGA Cable
1 x Power Adapter
12 x Panel Mounting Screws

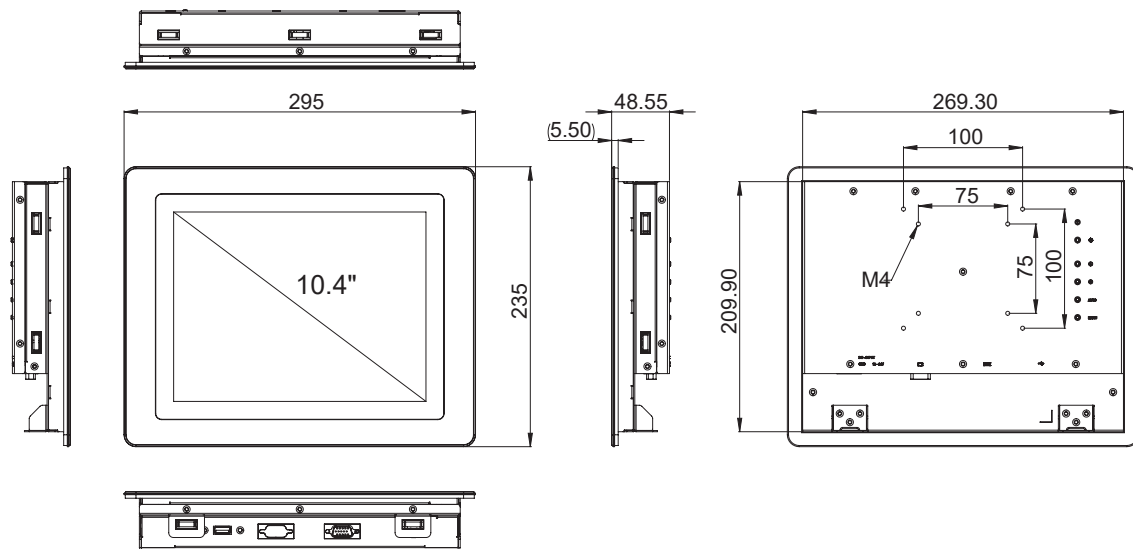
## → Optional Items

Part No.	Description
ACS-100-STD	VESA Table Stand

## → Ordering Information

Part No.	Description
TPM-3310P-B6A1	10.4" 4:3 (1024 x 768), 350nits, IP65 Stainless Steel Flat Panel, Projected Capacitive Industrial Touch Monitor, USB interface, 1 VGA, DC 12~24V

## → Dimensions



## → Specifications

Model		TPM-3310P-B6A1
LCD Panel	Panel Size	10.4"
	Aspect Ratio	4:3
	Resolution	1024 x 768 (XGA)
	Viewing Angle	88 x 88 (H) x 88 x 88 (V)
	Brightness	350 (cd/m2)
	Contrast Ratio	1000:1
Touchscreen	Life Time	50,000 hrs
	Type	Projected Capacitive
	Surface Hardness	7 Mohs
	Transparency	90% (±3%)
I/O Interface	On/Off Button	Yes
	Video Interface	1 VGA
	Touch Interface	1, USB
	Audio	NA
	Speaker	NA
OSD Control	Others	NA
	Function Key	5 Keys: Menu, Up, Down, Auto Adjust, Monitor Power on/off Menu Functions: Brightness, Contrast, Color Adjust, Color Temp, Auto Color, Language
Power	Power Input	12-24 V DC power input, single power source
	Power Connector	Phoenix Terminal Block, 2 pins
	Power Consumption	3.5 W
Mounting	VESA Mount	75mmx 75mm; 100mm x 100mm
	Panel Mount	Cut out 271.3 x 211.9 mm, Thickness range under 3~12mm
	Others	Yoke mount
Environment	Operating Temperature	-20~60° C (-4~140° F)
	Storage Temperature	-30~70° C (-22~158° F)
	Humidity	5~95% @ 40° C, non-condensing
	Vibration	5-500 Hz, 0.026 G <sup>2</sup> /Hz, 2.16 Grms, X, Y, Z, 1 hour per axis
	Shock	20 G, IEC 60068-2-27, half sine, 11 ms duration
General	Certification	TBD
	Material, Surface Finish	Stainless Steel 316 Brush Finished front panel
	True Flat	Yes
	Ingress Protection	Stainless Steel IP65 Front Bezel Protection
	Dimensions (W x H x D)	295 X 235mm X 48.55 (11.61" X 9.25" X 1.91" )
	Net Weight	5.08 kg (11.2 lb)
	Operating System	Windows 7/8.1/10, WES7, WE8S, Linux Fedora, Ubuntu