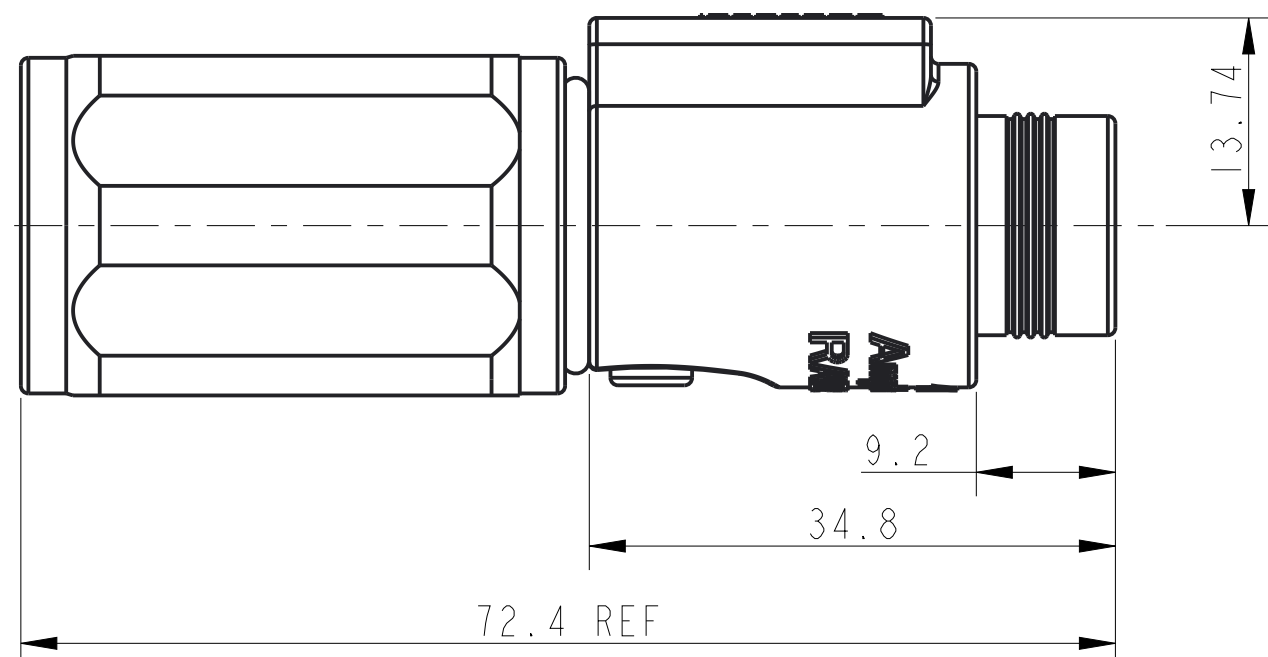


REV. I	SHEET 1 OF 1	DOCUMENT NO. C10-731951-()
REVISIONS		
REV	DESCRIPTION	DATE
F	UPDATE CODE NUMBER	2015-04-15
G	ADD 25MM2 CABLE APPLY	2016-08-19
H	CORRECTION LOCATION OF MASTER KEYWAY	2016-09-02
I	UPDATE CURRENT & TEMP. RATING	2016-11-13

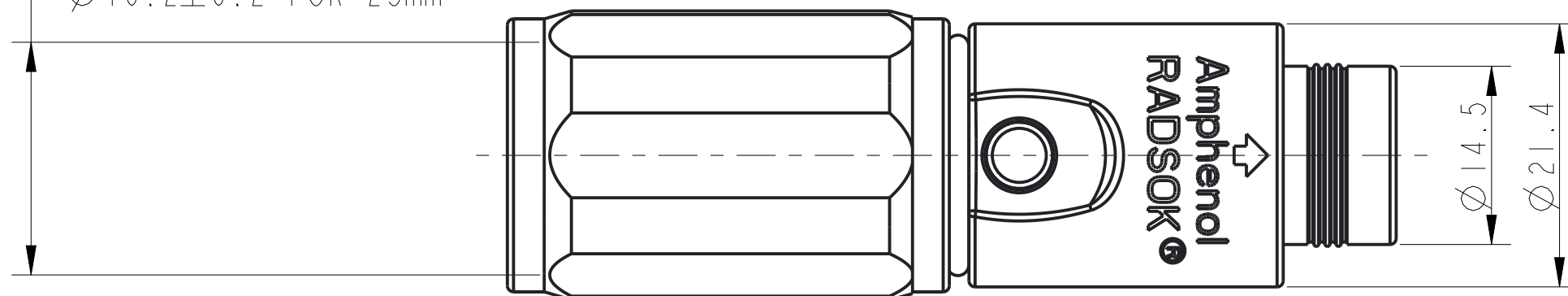


CUSTOMER DRAWING

GENERAL TOLERANCE					
DIM. RANGE	0.5 ~ 3	> 3 ~ 6	> 6 ~ 30	> 30 ~ 120	> 120 ~ 400
TOLERANCE	±0.1	±0.1	±0.2	±0.3	±0.5



RECOMMENDED CABLE RANGE:
 Ø13.6±0.3 FOR 50mm²
 Ø11.5±0.3 FOR 35mm²
 Ø10.2±0.2 FOR 25mm²



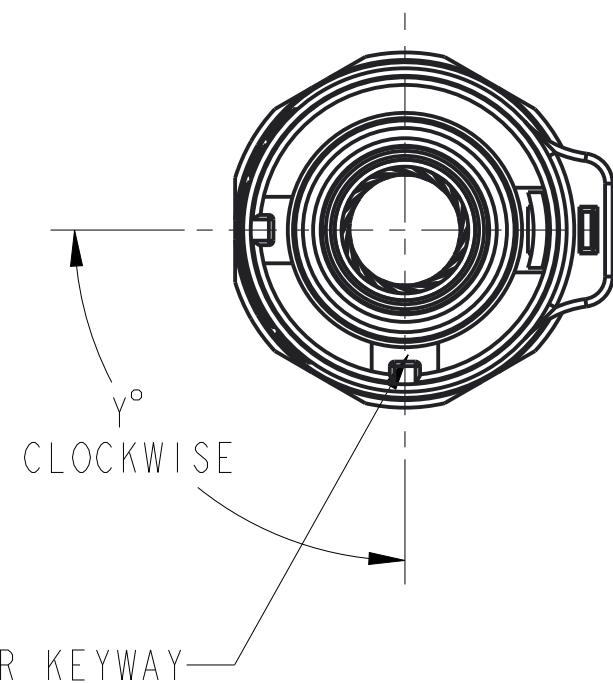
MFG PART NUMBER: C10-731951-() () ()

BASE NUMBER
COLOR, SEE TABLE
PIN TYPE, SEE TABLE
KEYWAY, SEE TABLE
SEALING, SEE TABLE

CODE NUMBER REFERENCE: SLPIPB()B() () ()

BASE NUMBER
PIN TYPE, SEE TABLE
WITH BACKSHELL
SEALING, SEE TABLE
COLOR, SEE TABLE
KEYWAY, SEE TABLE

ITEM	DESCRIPTION	CODE NUMBER	MFG NUMBER
PIN TYPE	35mm ² CRIMPING	35	0
	50mm ² CRIMPING	50	1
	25mm ² CRIMPING	25	2
COLOR	ORANGE	O	0
	BLACK	B	1
	RED	R	2
SEALING	IP67(MATED)	S	BLANK
	NON-SEALING	N	1
KEYWAY (Y°)	90°	0	0
	180°	1	1
	60°	2	2
	120°	3	3
	150°	4	4



SPECIFICATIONS

CURRENT RATING	120A MAX FOR 25MM2 150A MAX FOR 35MM2 200A MAX FOR 50MM2
OPERATING VOLTAGE	1000V DC
OPERATING TEMPERATURE	-40°C-125°C
CONTACT RESISTANCE	0.3 mΩ
PROTECTION CLASS	IP67 (MATED)

1. THE REFERENCED PRODUCT IS IN COMPLIANCE WITH THE MAXIMUM CONCENTRATION VALUES (MCVS) AS SET BY RoHS 2.0 DIRECTIVE 2011/65/EU AND ANNEX II AMENDMENT DIRECTIVE (EU) 2015/863.

NOTES:

THIS DOCUMENT CONTAINS PROPRIETARY INFORMATION AND SUCH INFORMATION MAY NOT BE DISCLOSED TO OTHERS FOR ANY PURPOSE OR USED FOR MANUFACTURING PURPOSES WITHOUT WRITTEN PERMISSION FROM THE AMPHENOL CORP.

N/A	PRO/ENGINEER INFORMATION
NEXT ASSEMBLY	Pro/e Model Used:
METRIC DOCUMENT	Drawing Name:
	C10-731951.CUS

UNLESS OTHERWISE SPECIFIED	SPECIFICATIONS	POS	QTY	PART NUMBER	DESCRIPTION	NOTE
LINEAR DIMENSIONS ARE IN: MILLIMETERS	MATERIAL SPEC. N/A	PARTS LIST				
TOLERANCES: ANGLES= ±2° DEFAULT LINEAR TOLERANCES SEE TABLE	PROCESS SPEC. N/A	AMPHENOL INDUSTRIAL OPERATIONS Amphenol Technology(Zhuhai)Co.,Ltd No.63, Xingnan Road, Sanzao Town, Jinwan, Zhuhai, PRC				
DIM. & TOL. PER ASME Y14.5M-1994; DRM PER MIL-DTL-31000; OTHER AMPHENOL STANDARDS: 9-9318	LEGENDS: △=FLAG NOTE CALL OUT REFERENCE ONLY	8.0MM SURLOK PLUS INLINE PLUG APPROVALS: ALAN ZHANG, SEVEN XIE, ROB WENG DATE: Nov-13-16 THIRD ANGLE PROJECTION				
		SIZE C	CAGE CODE 77820	DOCUMENT NO. C10-731951-()	REV. I	
		SCALE: 2.0	REF.	SHEET 1 OF 1		