



# Product Specifications

<b>Customer</b>	
<b>Model</b>	<b>NTSM170-3 V400</b>



Records of Revision			
Vision	Modifying	Old Description	New Description
v1812.1	Preliminary Specifications		
v1812.2	Format Updated		
v1812.3	Format Updated		
v1812.4	Revise the resolution of "Features"	1024x768	1280x1024
<b>v1812.5</b>	<b>1. Add Antibacterial Film Option 2. Add Color Options</b>		

## Features

- ★ 17" 1280x1024(XGA 4:3/5:4) Resolution
- ★ Wide Operating Temperature (-30~85°C)
- ★ Resistive/Capacitive Touch Options
- ★ Metal Cabinet with Diverse Combine Options
- ★ Made in Taiwan, 3 Years Warranty
- ★ Designed for Harsh Environments
- ★ Optional Video Input Connectors (VGA/DVI/HDMI/DP)
- ★ Optional High Brightness/Sunlight Readable
- ★ Optional 9~36VDC Power Input Options
- ★ Optional Software Remote Control by RS232
- ★ Optional Auto Dimming Function (with Light Sensor)
- ★ Optional AG/AR/AF/AS Film
- ★ **Optional Antibacterial Film Option, disinfects 99.99% of Harmful Bacteria**



Side Brackets



Desktop Stand



Wall Mounting



PSE



BSMI



FCC



CE



RoHS



ISO9001

## Display Specifications

Model Name	NTSM170XX-3XXXXXX-400*	Display Mode	Normally White
Screen Diagonal	432 mm (17.0 inch)	Response Time	30 msec.
Display Area	337.92x270.34 mm	Backlight Unit	LED (white LED)
Resolution	1280x1024 (SXGA)	Viewing Angle (L/R/U/D)	80°/80°/60°/80°
Contrast Ratio	800:1	Backlight Lifetime	50000 HRS
Display Ratio	4:3(5:4)	Operating Temp.	-30~85°C
Support Color	16.7M Colors	Storage Temp.	-30~85°C
Pixel Pitch	0.264x0.264 mm	Surface Treatment	Anti-glare, Hardness 3H

\* X = A~Z, 0~9 (Depends on options)

## Audio System

	Description	Connector
Audio Input	Stereo	TRS Connector $\Phi$ 3.5mm (Earphone Jack)
Speakers	2W x2	



## Supported OS

Windows	Win10, Win8, Win7, Vista, XP, Embedded XP, Win2000, CE.NET 4.x ↑
Linux	Kernel 2.6.24 ↑
Android	3.0 ↑
Mac	10.5.x ↑ (Intel CPU)

## General Options

Brightness			
	Brightness	Environment	Model Name
<b>Standard</b>	<b>350nits</b>	<b>General (Indoor Environment)</b>	<b>NTSM170<u>N</u>X-3XXXXXX-400</b>
Option 1	1000nits	Outdoor Environment	NTSM170 <u>A</u> X-3XXXXXX-400
Option 2	1500nits	Sunlight Readable	NTSM170 <u>F</u> X-3XXXXXX-400

Video Input		
	Connectors	Model Name
<b>Standard</b>	<b>VGA+DVI</b>	<b>NTSM170XX-3XXXX<u>1</u>X-400</b>
Option 1	VGA+HDMI	NTSM170XX-3XXXX <u>2</u> X-400
Option 2	VGA+HDMI+DP	NTSM170XX-3XXXX <u>3</u> X-400



Standard / VGA+DVI



Option 1 / VGA+HDMI



Option 2 / VGA+HDMI+DP

Power Input		
	Description	Model Number
<b>Standard</b>	<b>12VDC, DC Power Jack <math>\Phi</math>2.1mm</b>	<b>NTSM170XX-3XXXX<u>1</u>-400</b>
Option 1	12VDC, DC Lockable Power Jack $\Phi$ 2.1mm *	NTSM170XX-3XXXX <u>2</u> -400
Option 2	9~36VDC, Phoenix Terminal Block **	NTSM170XX-3XXXX <u>P</u> -400



Option 1 / Lockable Power Jack



Option 2 / Phoenix Terminal Block

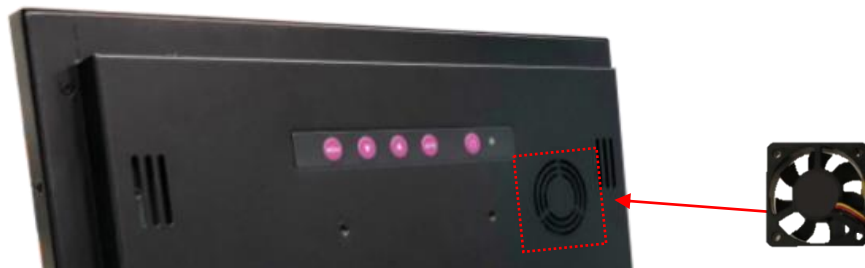
## General Options (Continued)

Cabinet		
	Description	Model Name
<b>Standard</b>	<b>Galvanized steel (SECC)</b>	<b>NTSM170XX-3XX<b>S</b>XXX-400</b>
Option 1	Stainless Steel	NTSM170XX-3XX <b>L</b> XXX-400
Option 2	Aluminum	NTSM170XX-3XX <b>A</b> XXX-400

Color of Cabinet		
	Description	Model Name
<b>Standard</b>	<b>Black</b>	<b>NTSM170XX-3<b>B</b>XXXXXX-400</b>
Option 1	White	NTSM170XX-3 <b>W</b> XXXXXX-400
Option 2	Sliver	NTSM170XX-3 <b>S</b> XXXXXX-400
Options	Other Color	NTSM170XX-3 <b>X</b> XXXXXX-400

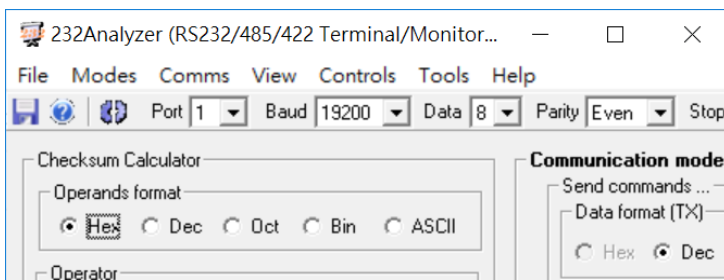
\* X = A~Z, 0~9 (Depends on Color)

Cooling Fan		
	Description	Model Number
<b>Standard</b>	<b>Fanless</b>	<b>NTSM170XX-3XXX<b>0</b>XX-400</b>
Option	7 Blades/1.2W/4000r.p.m/Max.10.96CFM/28.3dB	NTSM170XX-3XXX <b>F</b> XX-400



## General Options (Continued)

OSD Control		
	Item	Description
<b>Standard</b>	<b>Button</b>	<b>Rear Physical Button</b>
Option 1	Software Remote Control	Software Remote Control by RS232/Serial Port
Option 2	Auto Dimming	Auto Brightness Adjusting by Built-in Light Sensor



\* Software Remote Control



## Accessories

Item	Description	Quantity
VGA Cable	D-Sub 15Pin Male to Male, 1.2 Meter	1
Audio cable	3.5mm Headset Jack, Male to Male, 1.2 Meter	1
AC-DC Adapter	4.16A/12V with CE/FCC/CCC/UL/RoHS/PSE/JET Certification	1
Power cord	*Country Specific	1
USB Cable	A type, Male to Male, 1.5 Meter *(only for touch monitor)	1

## Touch Options

Non-Touch			
Model No.	NTSM170X0-3XXXXXX-400		

Resistive Touch			
Model No.	NTSM170X5-3XXXXXX-400	Transparency	80%±5%
Touch Screen	5 Wire Resistive Touch	Precision	98.50%
Allowed touch points	1 point	Surface Treatment	Anti-glare <15%
Interface	USB/RS232	Hardness	≥3H

Projected Capacitive Touch			
Model No.	NTSM170XP-3XXXXXX-400	Transparency	≥90%±3%
Touch Screen	Projected Capacitive	Accuracy	99.00%
Allowed touch points	10 points	Surface Treatment	Anti-glare
Interface	USB	Hardness	≥7H

Active Stylus Option	
Technology	Active Capacitive Coupled
Working Frequencies	90~250 KHZ
Pressure Level	256~1024 Levels
Side Buttons	2 Side Buttons (Eraser, Barrel)
Active Tip Force	5~25g
Max. Tip Force	400g

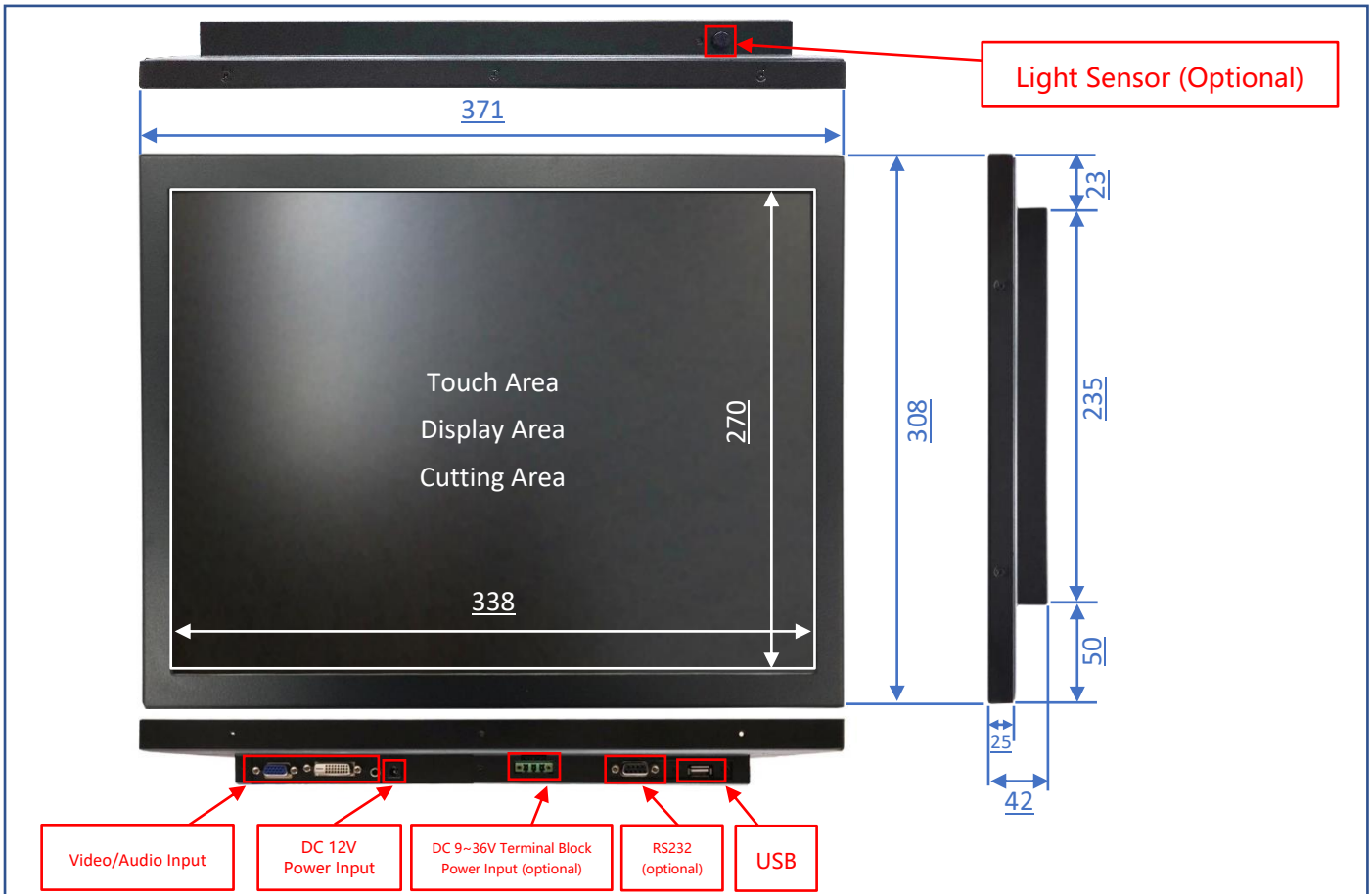


Surface Film Options	
<b>Standard</b>	<b>(none)</b>
Option	Antibacterial (AB Film)
Option	Anti-Glare (AG Film)
Option	Anti-Reflective (AR Film)
Option	Anti-Fouling/Fingerprint (AFP Film)
Option	Anti-Spy (AS Film)
Option	UV-Cut (UV Film)



## Physical Specifications

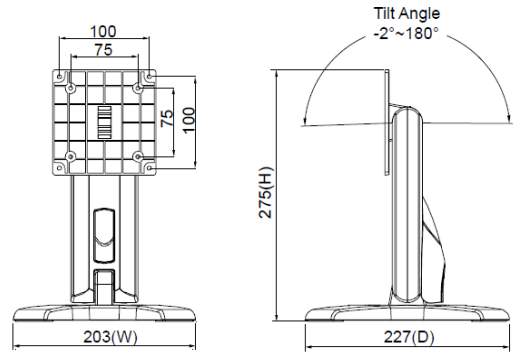
Dimension (Max)	<b>371x308x42(±1)mm</b>	Net Weight	<b>3.7 KG</b>
VESA Mounting	<b>100x100 mm</b>	Gross Weight	<b>5.4 KG</b>



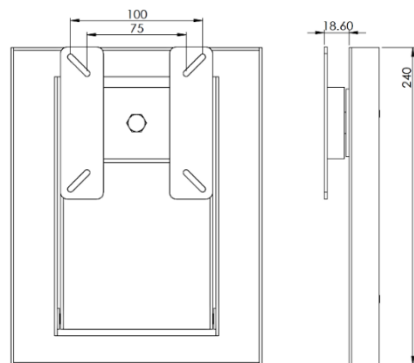


### Optional Accessories (Desktop Stand)

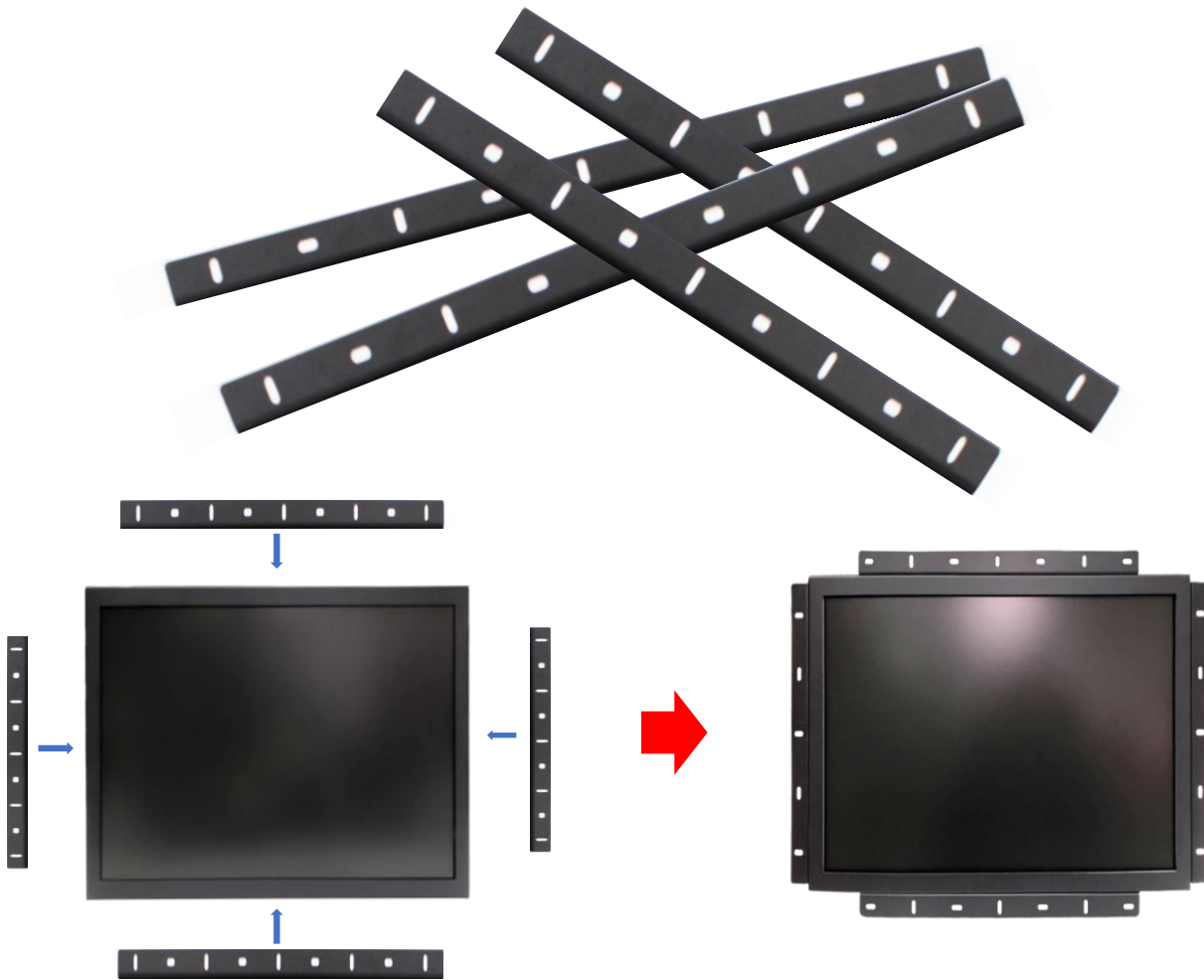
Item	B Stand	Part No.	DST-0B002/DST-1B002
Mounting Pattern	100x100 / 75x75 mm	Dimension (WxHxD)	203x275x227 mm
Material	Steel/Plastic/Aluminum	Net Weight	1.8 KG
Tile (Hinge)	-2° ~ +180°	Support Max. Weight	15 KG



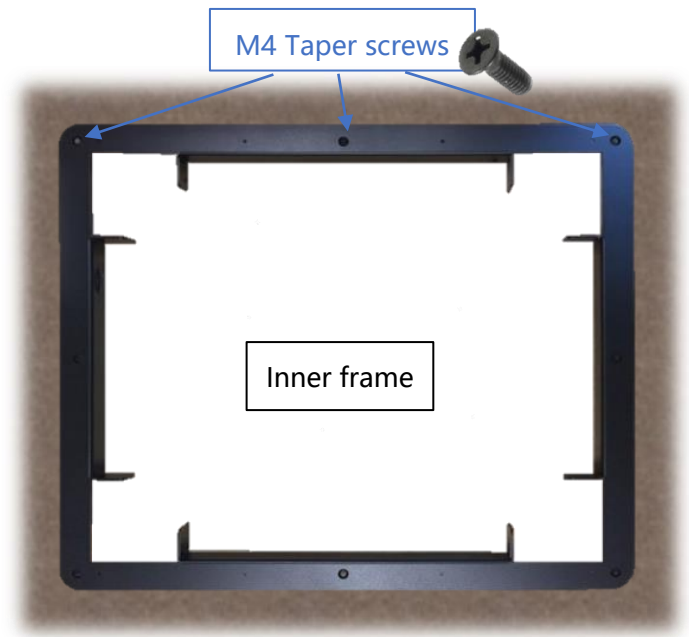
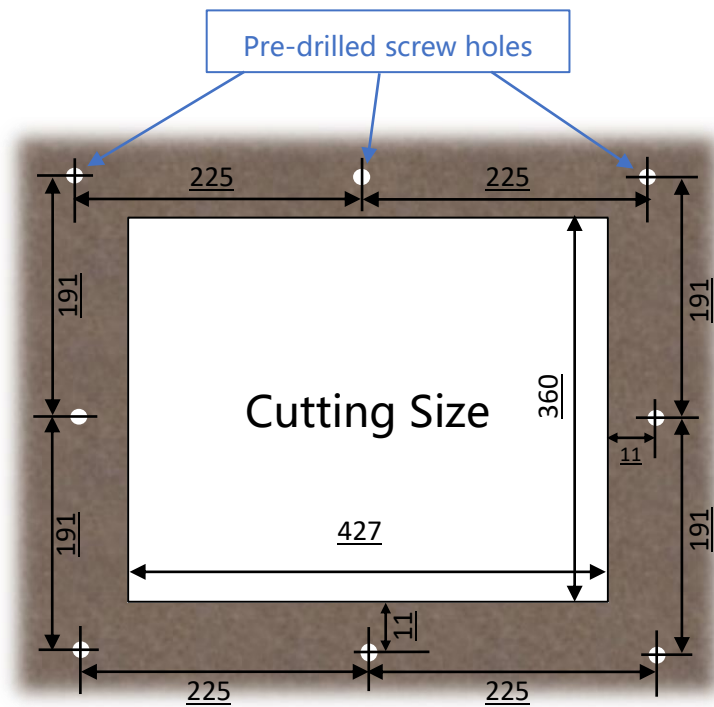
Item	Z Stand	Part No.	DST-0BZ01/DST-1BZ01
Mounting Pattern	100x100 / 75x75 mm	Dimension (WxHxD)	190x240x41.6
Material	SECC	Net Weight	2.6 KG
Tile (Hinge)	±360°	Support Max. Weight	15 KG



### Optional Accessories (Open-frame Brackets)

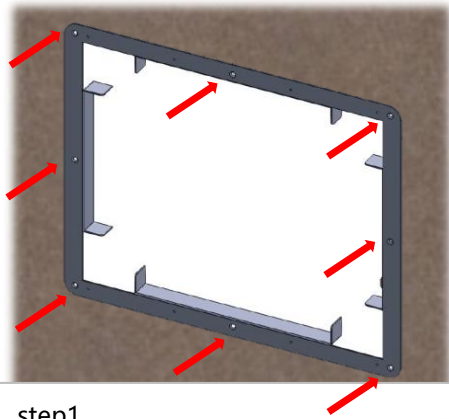


Optional Accessories (Panel Mount Kits)

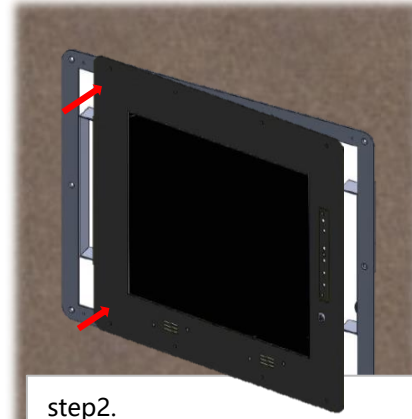


## Optional Accessories (Panel Mount Kits)

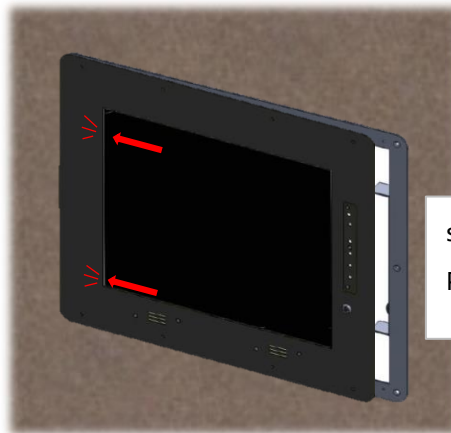
### Installation Guide



step1.  
Mount the inner frame to wall/door/KIOSK ,and screw it.  
(Use M4 taper screws)



step2.  
Mount the display from front and slightly keep right (insert aslant)



step3.  
Push the display to the left, stuck up.

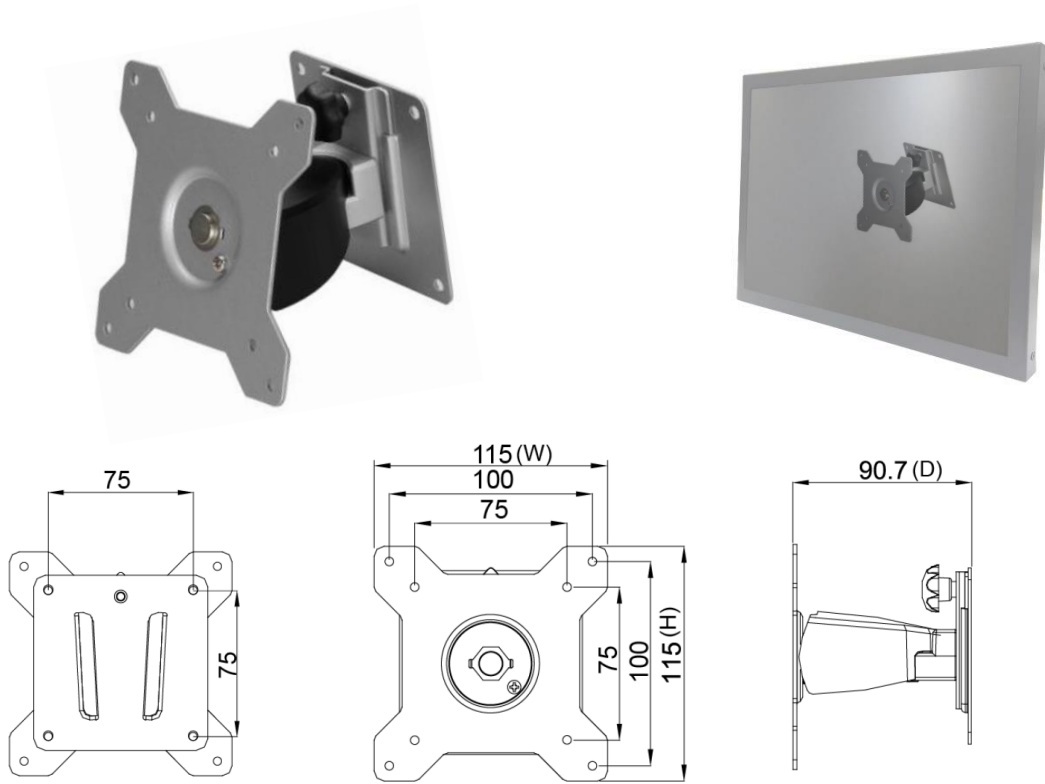


step4.  
Push the display to insert completely



step5.  
Lock it !

### Optional Accessories (Wall Mount Bracket)

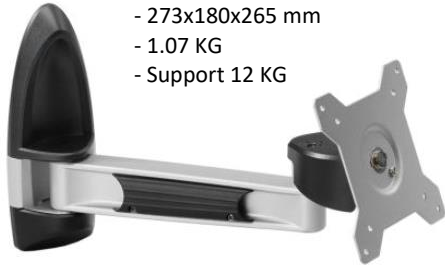


### Packing Information



Dimensions of Carton	<b>500x500x150 mm</b>
Net Weight	<b>≤3.7 KG</b>
Gross Weight	<b>≤5.4 KG</b>

## Optional Accessories (Desktop Stand or Arm)



- 273x180x265 mm  
- 1.07 KG  
- Support 12 KG



- 620x556x123 mm  
- 3 KG  
- Support 10 KG



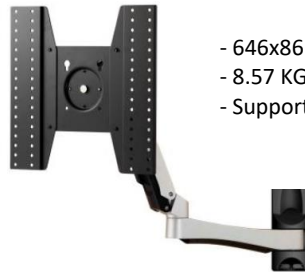
- 250x192x445 mm  
- 1.4 KG  
- Support 12 KG



- 655x858.5x563 mm  
- 7.56 KG  
- Support 30 KG



- 158x403x144 mm  
- 2.12 KG  
- Support 12 KG



- 646x861x953.5 mm  
- 8.57 KG  
- Support 30 KG



- 423x403x240 mm  
- 1.91 KG  
- Support 12 KG



- 1300x403x307 mm  
- 5.3 KG  
- Support 8 KG (2.7 KG Each)



- 715x393x144 mm  
- 3.68 KG  
- Support 12 KG (6 KG Each)

