

Connector

I.D.C SOCKET 2.00mm (0.079")

Electrical Characteristics:

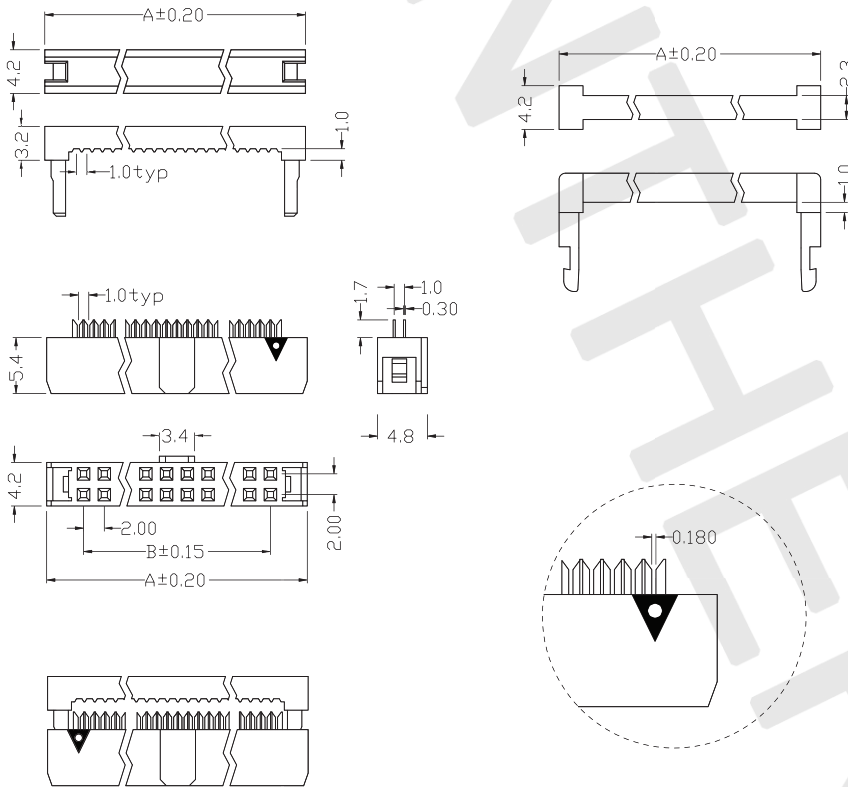
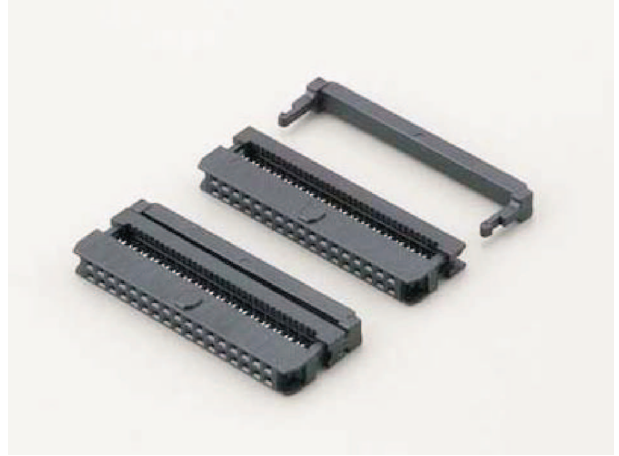
Current Rating: 1 AMP
 Insulator Resistance: 5000M Ohm min. at DC 500V
 Contact Resistance: 20m Ohm max. at DC 100mA
 Operating Temperature: -45°C~+105°C

Material:

Housing: 30% Glass filled PBT UL94V-0
 Contacts: Brass or Phosphor Bronze
 Plating: Selective gold plated: gold plated on mating area and Nickel plated on wire cutting area
 Gold plated: 3u" over 50u" nickel
 Cable: 1.00mm (0.039") pitch flat cable

Features:

- * Optional polarizing key, polarizing bump.
- * Optional strain relief.



Position	Dimension	
	A	B
10	15.10	8.00
14	19.10	12.00
16	21.10	14.00
18	23.10	16.00
20	25.10	18.00
22	27.10	20.00
24	29.10	22.00
26	31.10	24.00
30	35.10	28.00
34	39.10	32.00
40	45.10	38.00
44	49.10	42.00
50	55.10	48.00