

# Connector

## Electrical Characteristics:

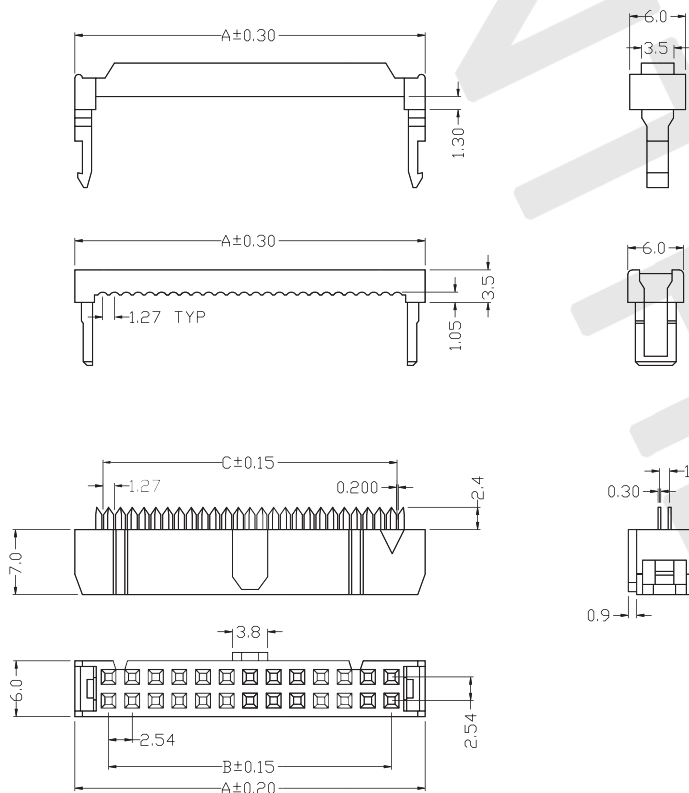
Current Rating: 1 AMP  
 Insulator Resistance: 5000M Ohm min. at DC 500V  
 Contact Resistance: 20m Ohm max. at DC 100mA  
 Operating Temperature: -45°C~+105°C

## Material:

Housing: 30% Glass filled PBT UL94V-0  
 Contacts: Brass or Phosphor Bronze  
 Plating: Selective gold plated: gold plated on mating area and nickel plated on wire cutting area  
 Gold plated: 3u" over 50u" nickel  
 Cable: 1.27mm (0.050") pitch flat cable

## Features:

- \* Optional polarizing key, polarizing bump.
- \* Optional strain relief.



Dimension

Position	A	B	C
06	12.22	5.08	6.35
08	14.76	7.62	8.89
10	17.30	10.16	11.43
14	22.38	15.24	16.51
16	24.92	17.78	19.05
20	30.00	22.86	24.13
24	35.08	27.94	29.21
26	37.62	30.48	31.75
30	42.70	35.56	36.83
34	47.78	40.64	41.91
40	55.40	48.26	49.53
50	68.10	60.96	62.23
60	80.80	73.66	74.93
64	85.88	78.74	80.01