

A

B

C

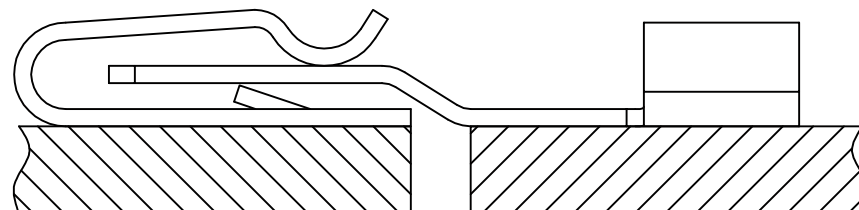
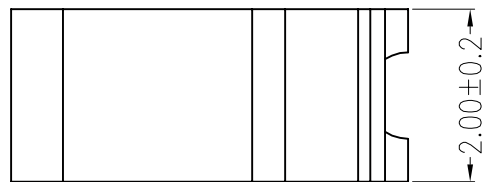
D

E

F

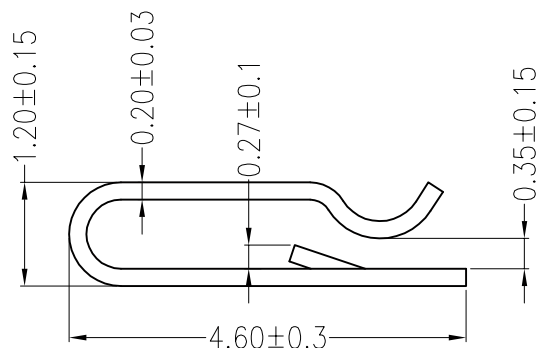
REV	DESCRIPTION	DESIGN	DATE
A0	Release		2016.04.30

1



1

2



## Assembly Layout

### Main Specifications

Poles : 01

Contact resistance :  $\leq 20\text{m}\Omega$

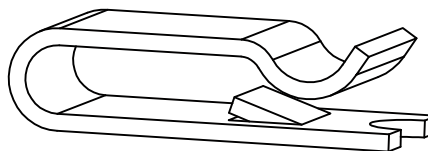
Insulation resistance :  $\geq 800\text{M}\Omega$

Rated voltage : 250V AC DC

Rated current : 3A AC DC

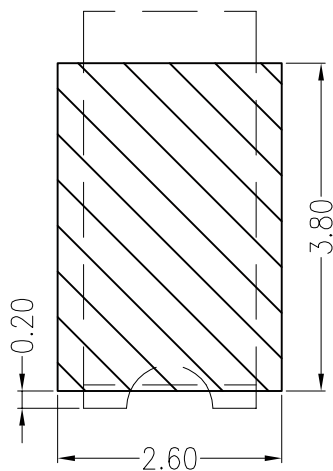
Withstand voltage : 1500V AC/minute

Temperature Range :  $-45^{\circ}\text{C}$  ---  $+125^{\circ}\text{C}$



3

4



3

4

5

## Board Layout

General Tolerance:  $\pm 0.05$

C					
B					
A	CONTACT		1 PCS	PhosphorBronze	MATTE Sn-plated
ITEM	COMPONENT	Q'TY	MATERIAL	FINISH	
<b>LEDsconn</b>					TITLE: --
X.±0.5	X.±5'	USE: CUSTOMER		PART NO.:	
.X±0.3	.X±2'	APPD:		DWG NO.:	
.XX±0.25	.XX±1'	CHKD:		SCALE	
--	--	DR:		1 : 1	SHEET
		UNITS: mm			1 / 1

A

B

C

D

E

F