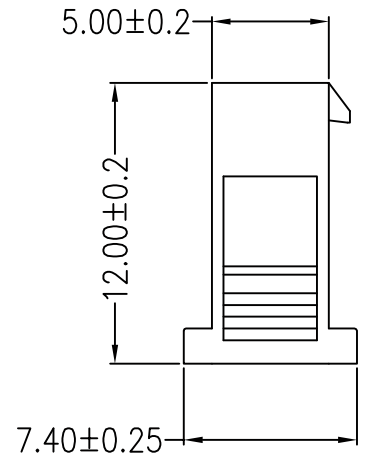
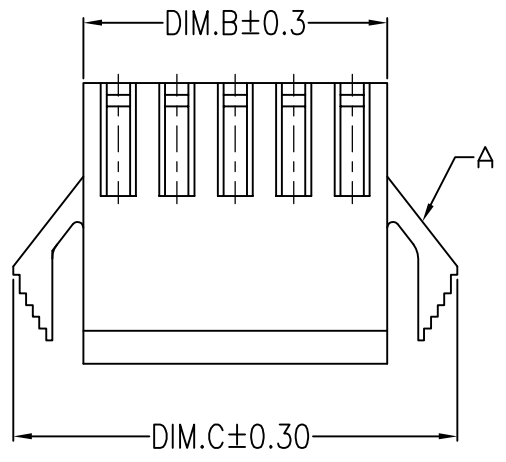
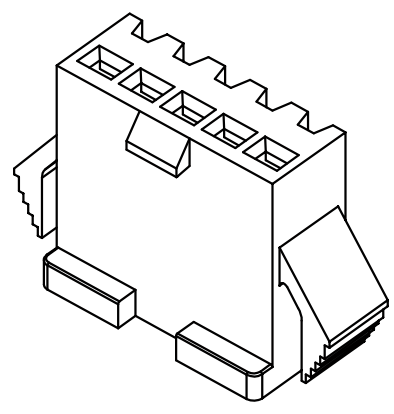
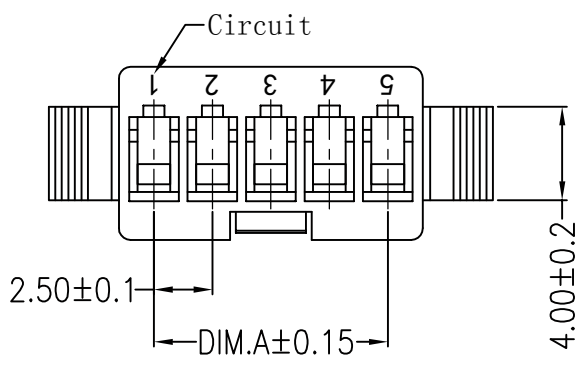


REV	DESCRIPTION	DESIGN	DATE
A0	Release		2018.01.20

Circuits	Dimensions (mm)			Circuits	Dimensions (mm)		
	DIM. A	DIM. B	DIM. C		DIM. A	DIM. B	DIM. C
02	2.50	5.50	11.50	08	17.50	20.50	26.50
03	5.00	8.00	14.00	09	20.00	23.00	29.00
04	7.50	10.50	16.50	10	22.50	25.50	31.50
05	10.00	13.00	19.00	11	25.00	28.10	34.00
06	12.50	15.50	21.50	12	27.50	30.60	36.50
07	15.00	18.00	24.00				



**Main Specifications**  
 Poles : 02 to 12  
 Contact resistance :  $\leq 20\text{mOhm}$   
 Insulation resistance :  $\geq 500\text{MOhm}$   
 Rated voltage : 250V AC DC  
 Rated current : 3.0A AC DC  
 Withstand voltage : 1500V AC/minute  
 Temperature Range : -25°C --- +85°C



C					
B					
A	PEDESTAL		1 PCS	PA66	
ITEM	COMPONENT		Q'TY	MATERIAL	FINISH
<b>LEDsconn</b>					TITLE: -
X.±0.5	X.±5'	USE: CUSTOMER		PART NO.:	
.X±0.3	.X±2'	APPD:		DWG NO.:	
.XX±0.25	.XX±1'	CHKD:		SCALE	
--	--	DR:		1 : 1	SHEET
	UNITS: mm			1 / 1	