

# Ultrasonic Cleaning Transducer

## Main features of Ultrasonic Cleaning Transducer:

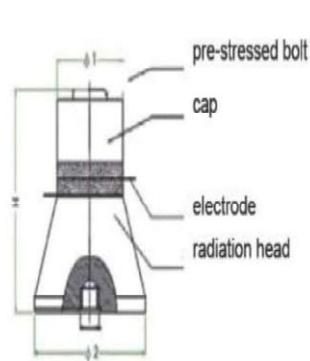
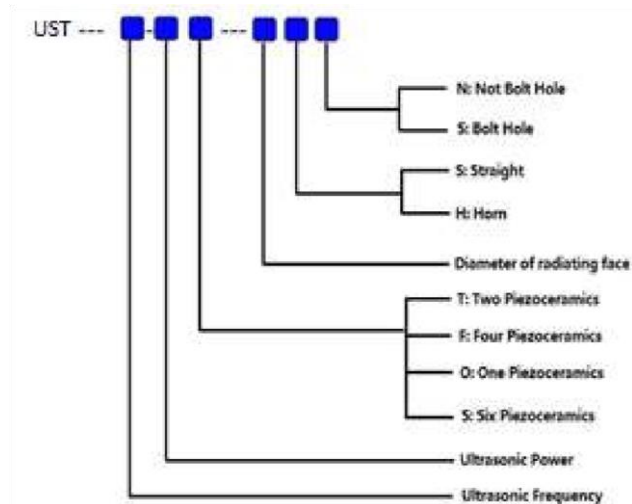
- 1: High Efficiency
- 2: High Amplitude and High Vibration Speed
- 3: Lower Heat
- 4: High Reliability
- 5: Easy for assembling
- 6: High electroacoustic transformation efficiency
- 7: Best Price and Fastest Speed of delivery

## Typical application of ultrasonic cleaning transducers:

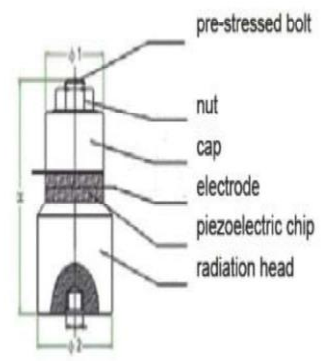
Ultrasonic cleaning system. Big power industry ultrasonic cleaning equipment. and other ultrasonic cleaning and liquid processing applications.

## The Specification of Ultrasonic Cleaning Transducer:

### Naming of Ultrasonic Transducer:



Horn Transducer



Straight Transducer

## DESCRIPTION

### SPECIFICATION OF 25KHZ 100W ULTRASONIC CLEANING TRANSDUCER

Type	UST-25100T-68HNPZT8
Frequency	25KHz $\pm$ 1KHz
Power	100w
Capacity	6600pf (pzt4)
Radiating surface	68mm
Resonance Resistance	10-20 $\Omega$
Piezoceramics size	45*15*5
Length	77mm
Power Supply	Input: 100V~130V or 220V~240V AC
Weight	720g/pcs