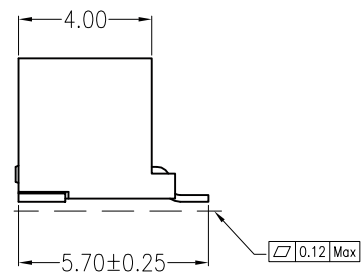
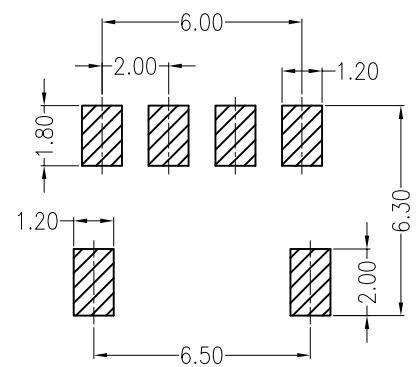
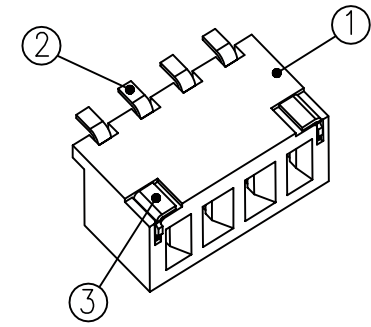
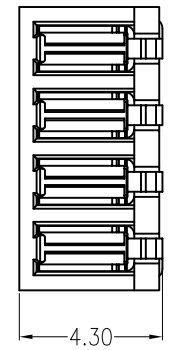
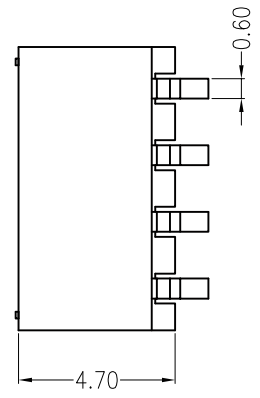
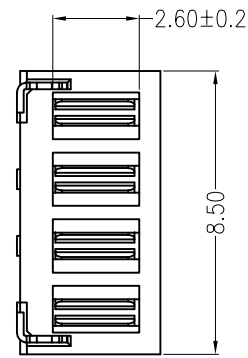
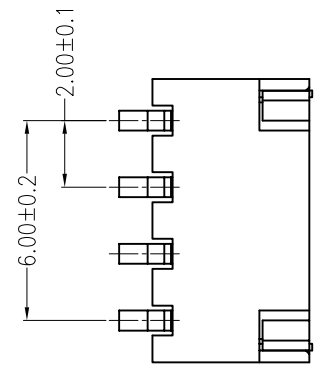


REV	ECN No.	DESCRIPTION	DESIGN	DATE
A0	-	Release	吴丹平	2017.10.26



主要技术参数 Main Specifications

- 线数 (Poles): 02 to 04
- 接触电阻 (Contact resistance): $\leq 30m\Omega$
- 绝缘电阻 (Insulation resistance): $\geq 1000M\Omega$
- 额定电压 (Rated voltage): 275V AC DC
- 额定电流 (Rated current): 1.0A AC DC
- 耐电压 (Withstand Voltage): 1000V AC/minute
- 温度范围 (Temperature Range): $-40^{\circ}C \sim +110^{\circ}C$



C	CONTACT	2 PCS	PhosphorBronze	MATTE Sn-Tip
B	COVER	4 PCS	PhosphorBronze	MATTE Sn-Tip
A	HOUSING	1 PCS	LCP	UL 94V-0, COLOR:BLACK/BEIGE
ITEM	COMPONENT	Q'TY	MATERIAL	FINISH
LEDscconn				TITLE: 2.0Pitch 90°wafer smt type
.X±0.35	X.±	USE: CUSTOMER		PART NO.:
.XX±0.25	.X±	APPD: 邵敬和		DWG NO.:
.XXX±0.15	.XX±	CHKD: 田峰		
--	--	DR: 蒋建银		SCALE 1 : 1
UNITS: mm				SHEET 1 / 1