

A

B

C

D

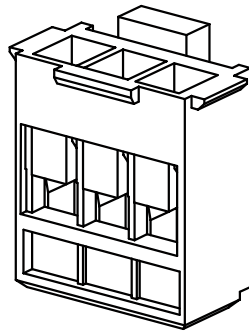
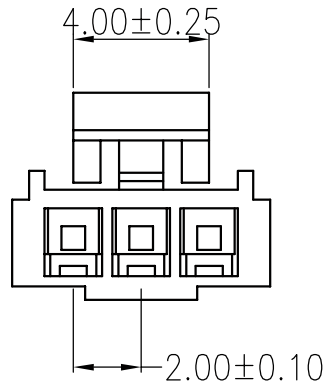
E

F

REV	ECN No.	DESCRIPTION	DESIGN	DATE
A0		Release		2017.03.23

1

1



2

2

### 主要技术参数 Main Specifications

线 数 (Poles): 02 to 16

接触电阻 (Contact resistance):  $\leq 20m\Omega$

绝缘电阻 (Insulation resistance):  $\geq 1000M\Omega$

额定电压 (Rated voltage): 250V AC DC

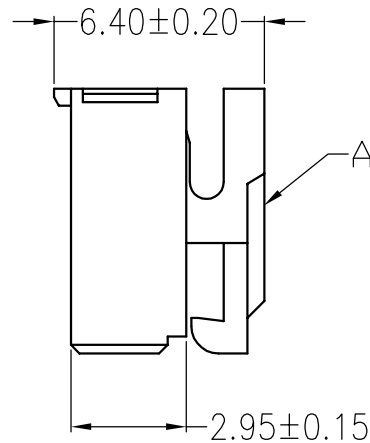
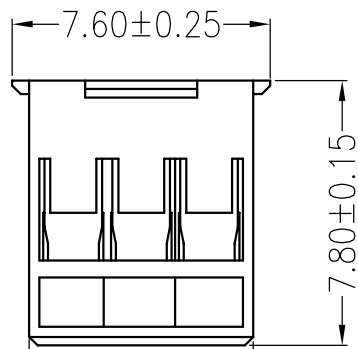
额定电流 (Rated current): 2.0A AC DC

耐 电 压 (Withstand Voltage): 1000V AC/minute

温度范围 (Temperature Range):  $-25^{\circ}C \sim +85^{\circ}C$

3

3



4

4



6.60±0.25

5

5

A

B

C

D

E

F

C					
B					
A	HOUSING		1 PCS	PA66	COLOR:BEIGE
ITEM	COMPONENT	Q'TY	MATERIAL	FINISH	
<b>LEDscconn</b>					TITLE: - 2.0mmPITCH Housing
X.±0.5	X.±5'	USE: CUSTOMER		PART NO.:	
.X±0.3	.X±2'	APPD:		DWG NO.:	
.XX±0.25	.XX±1'	CHKD:		SCALE	
--	--	DR:		1 : 1	SHEET
	UNITS: mm			1 / 1	