

A

B

C

D

E

F

REV	ECN No.	DESCRIPTION	DESIGN	DATE
A0		Release	吴丹平	2017.03.23

1

2

3

4

5

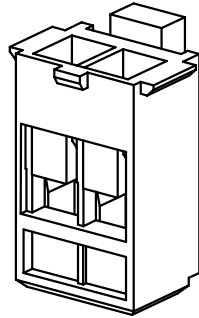
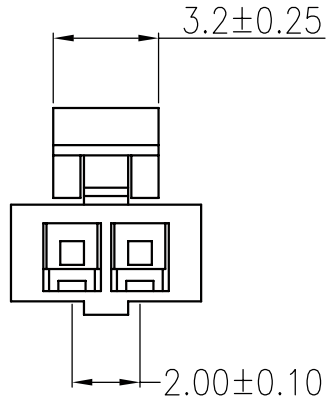
1

2

3

4

5



主要技术参数 Main Specifications

线 数 (Poles): 02 to 16

接触电阻 (Contact resistance): $\leq 20\text{m}\Omega$

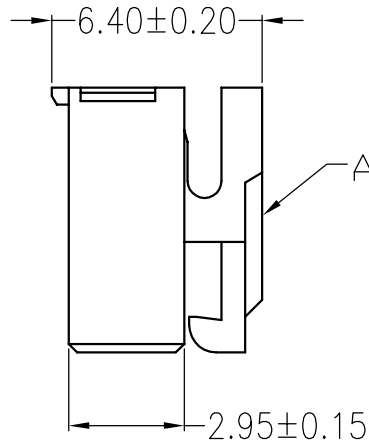
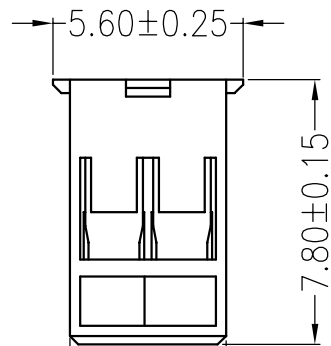
绝缘电阻 (Insulation resistance): $\geq 1000\text{M}\Omega$

额定电压 (Rated voltage): 250V AC DC

额定电流 (Rated current): 2.0A AC DC

耐 电 压 (Withstand Voltage): 1000V AC/minute

温度范围 (Temperature Range): $-25^{\circ}\text{C} \sim +85^{\circ}\text{C}$



C				
B				
A	HOUSING	1 PCS	PA66	COLOR:BEIGE
ITEM	COMPONENT	Q'TY	MATERIAL	FINISH

LEDscconn

TITLE: -
2.0mmPITCH Housing

X.±0.5	X.±5'	USE: CUSTOMER	PART NO.:		
.X±0.3	.X±2'		APPD:	DWG NO.:	
.XX±0.25	.XX±1'	CHKD:	SCALE		
--	--	DR:	1 : 1		SHEET
	UNITS: mm		1 / 1		

A

B

C

D

E

F