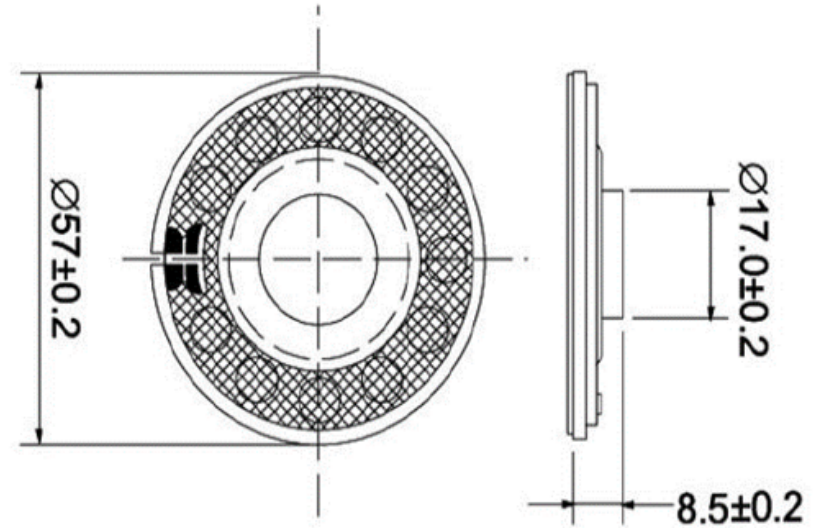
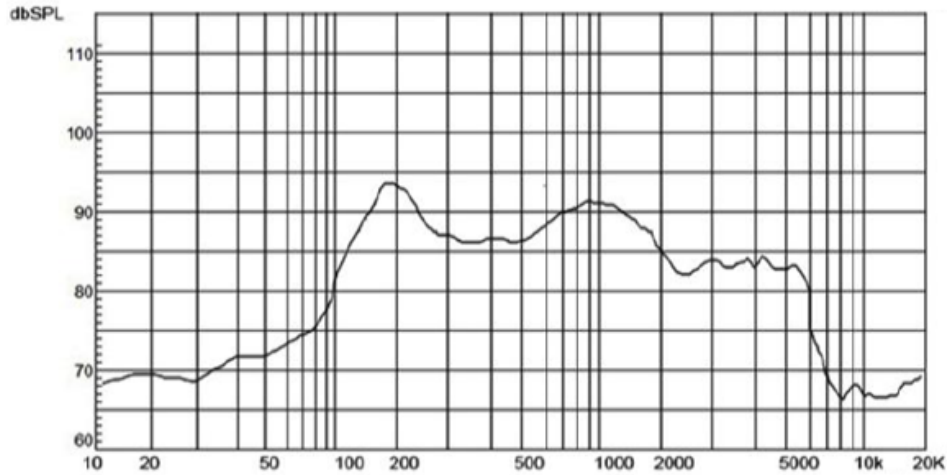


SPECIFICATION		
1	<b>Model No.</b>	S-MC-57N-A-8R
2	Cone Material:	Mylar
3	Edge:	
4	Nominal Power:	0.5W
5	Maximum Power:	1.0W
6	Impedance:	$8\Omega \pm 15\% \Omega$
7	Fo:	$150 \pm 20\% \text{ HZ}$
8	Response:	Fo-20kHz
9	S.P.L.:	$90 \pm 3 \text{ dB/W/M}$
10	Magnet Size:	



REVISION HISTORY			
LTR	DESCRIPTION	DATE	APPROVED
-	RELEASED FROM ENGINEERING	9/23/2003	Y M
A			
B			
C			



NOTES:

1. ALL DIMENSIONS ARE IN MILLIMETERS
2. SPECIFICATIONS SUBJECT TO CHANGE WITHOUT NOTICE
3. THE ACTUAL PRODUCT TERMINAL BOARD IS IN RED