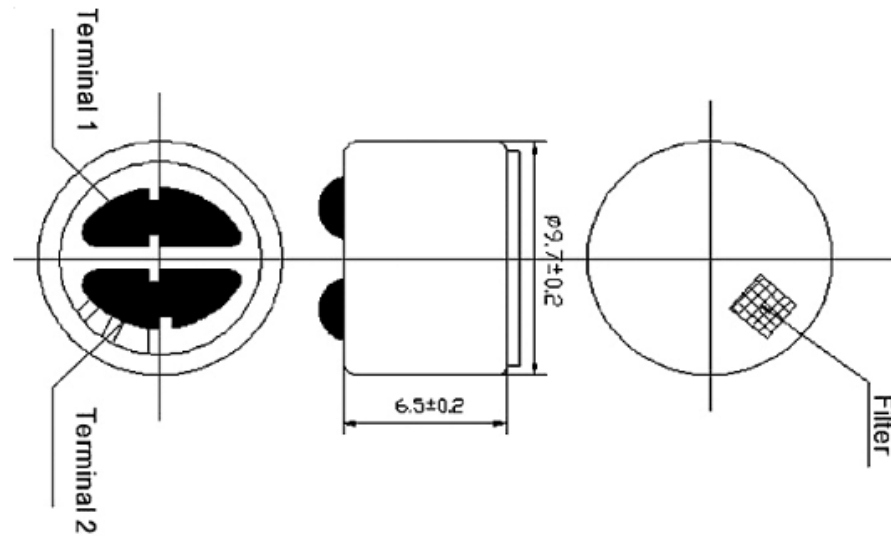
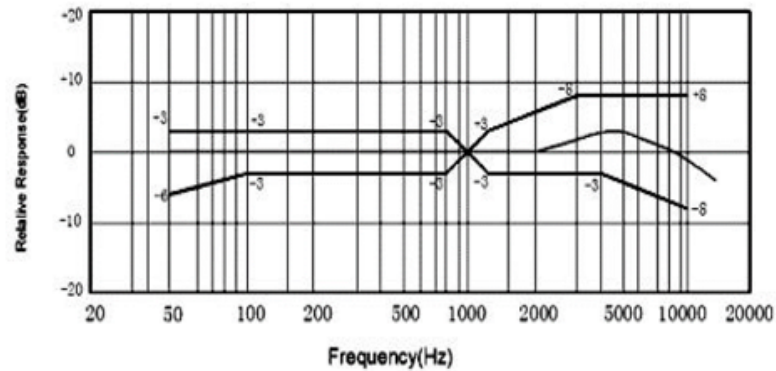


SPECIFICATION		
1	Model No.	MIC-9767-42
2	Sensitivity	-42dB+/-1 dB
3	Impedance	2.3K OHM
4	Directivity	Omni-directional
5	Current Consumption	500 μ A
6	Operation Voltage Range	4.5V(1.0~10.0)
7	S/N Ratio	55 dB Min
8	Decreasing Voltage	-3 dB
9	Max. Input Sound Level	120dB
f=1KHz,S.P.L=1 μ Bar,VS=4.5-3.0V,Distortion<1%		



REVISION HISTORY			
LTR	DESCRIPTION	DATE	APPROVED
-	RELEASED FROM ENGINEERING	9/23/2003	Y M
A			
B			
C			



NOTES:

- 1.ALL DIMENSIONS ARE IN MILLIMETERS
- 2.SPECIFICATIONS SUBJECT TO CHANGE WITHOUT NOTICE