

# Data Sheet

## LL01CR-CHQxxL02

**CREE**   
▶ LED Solution Provider



CXA1304



### ■ Features & Typical Applications

- High efficiency
- Available with 2 beam angles
- Optimized Uniformity
- Lens with Connector
- Downlight
- Architectural Lighting
- Commercial Lighting

### ■ Table of Contents

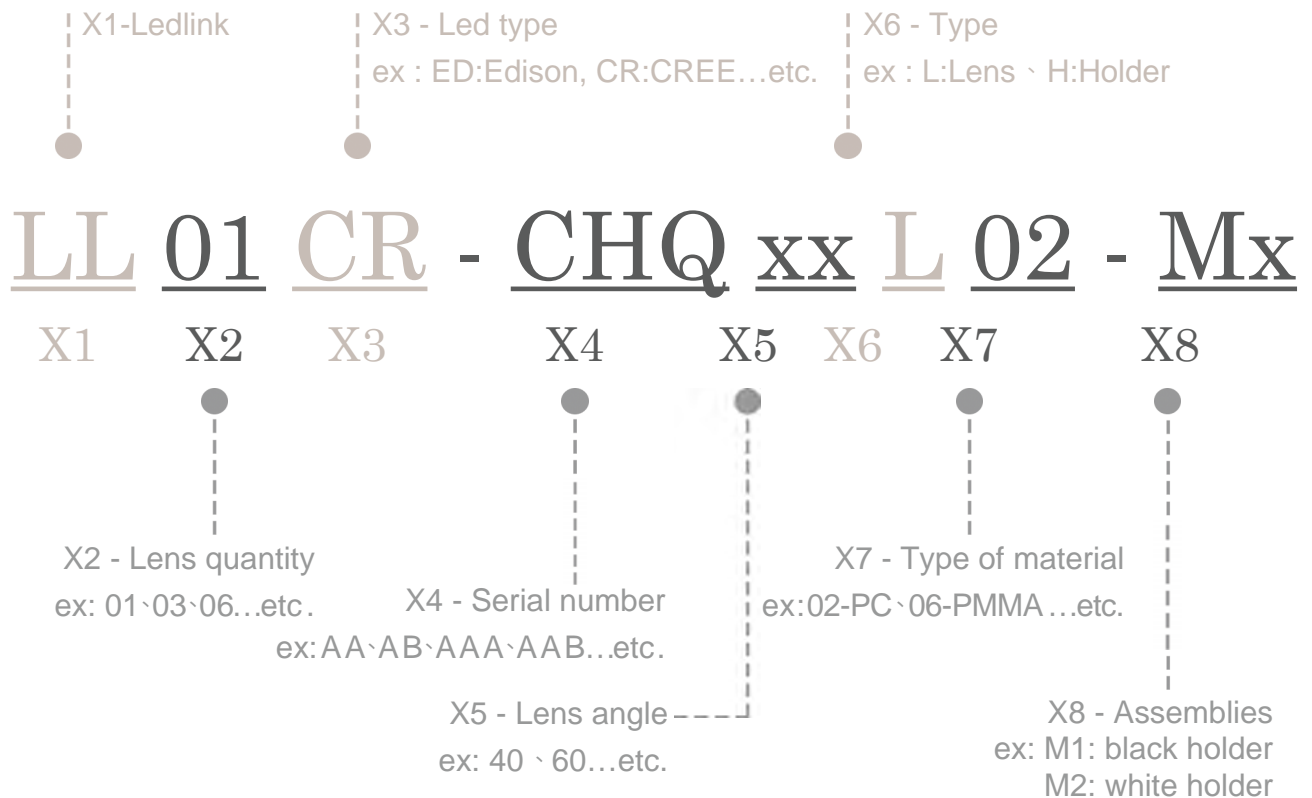
General Information & Product Nomenclature.....	P.2
Optical Specifications .....	P.3
Mechanical Specifications .....	P.4
Package Specifications .....	P.5

# LL01CR-CHQxxL02

## General Information

- Lens Material : PC LEV1700
- Connector Material : PBT 4815
- Operating Temperature range -40°C~+110°C(upper limit +120°C)
- Storage Temperature range -40°C~+110°C(upper limit +120°C)
  - \* Average transmittance in visible spectrum 400nm~700nm>90%.
- Usage and Maintenance:
  1. If necessary, clean lenses with mild soap, water and soft cloth.
  2. Never use any commercial cleaning solvents on lenses, like alcohol.
  3. Please handle or install lenses with wearing gloves, skin oils may damage lens or its optical characteristic.

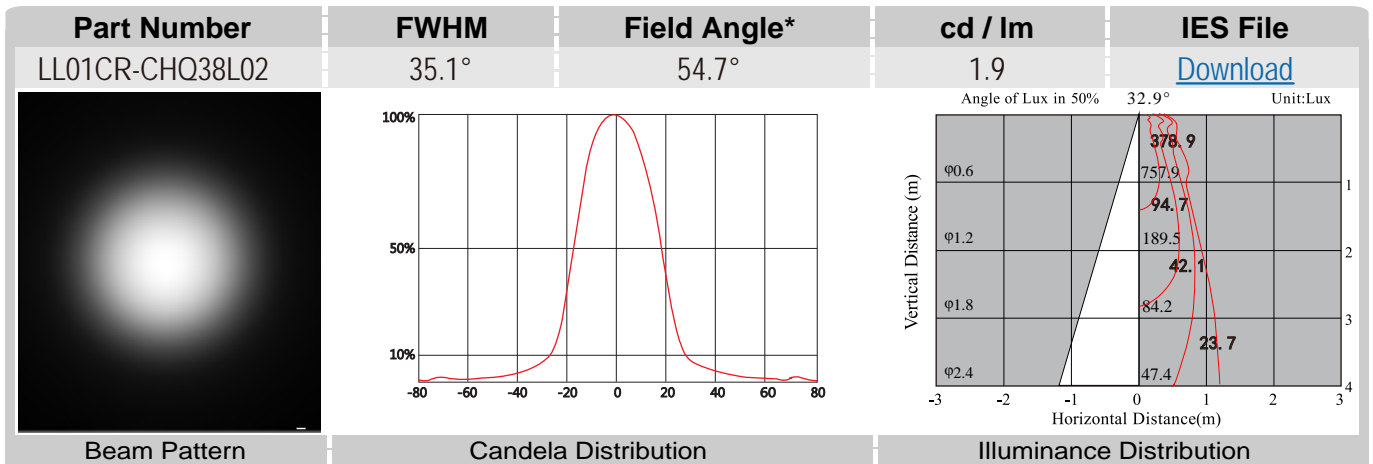
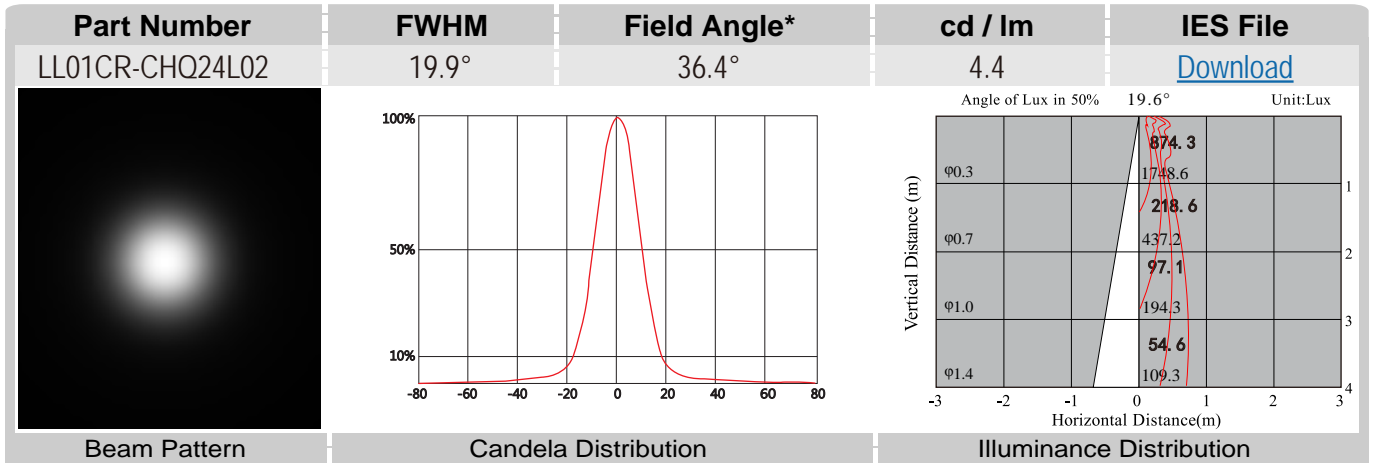
## Product Nomenclature



# LL01CR-CHQxxL02 Optical Specifications



Note: (1) All the results of analysis are based on 0 degrees of elevation.  
 (2) Tolerance:  $\pm 10\%$ .  
 (3) Led Luminous Flux(lm): 391( $\pm 5\%$ ).



\*The Field Angle is the angle between the two directions opposed to each other over the beam axis for which the luminous intensity is 10% that of the maximum luminous intensity.  
 \*This testing result is obtained through testing the popular rank LED samples which provided by the original manufacturer. Hence, the testing results would be varied as the users choose same LED model but different rank.

# LL01CR-CHQxxL02 Mechanical Specification

## 1. Fixing method

Glue

Screw

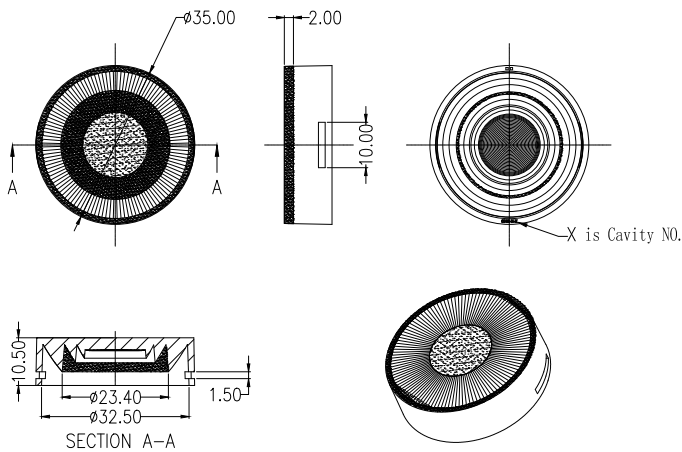
Tape

Fixing-ring

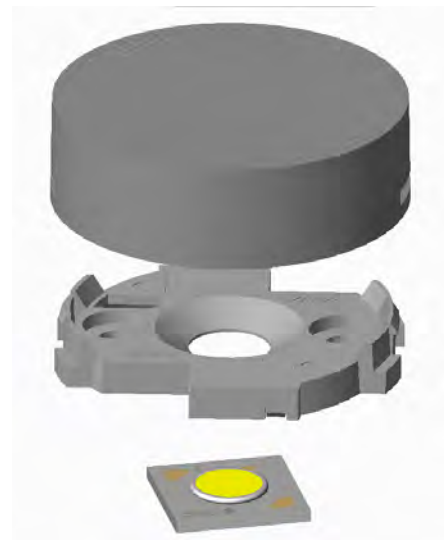
Frame

Note: (1) All dimensions are in mm.  
(2) All tolerance are  $\pm 0.15$  mm unless otherwise specified.

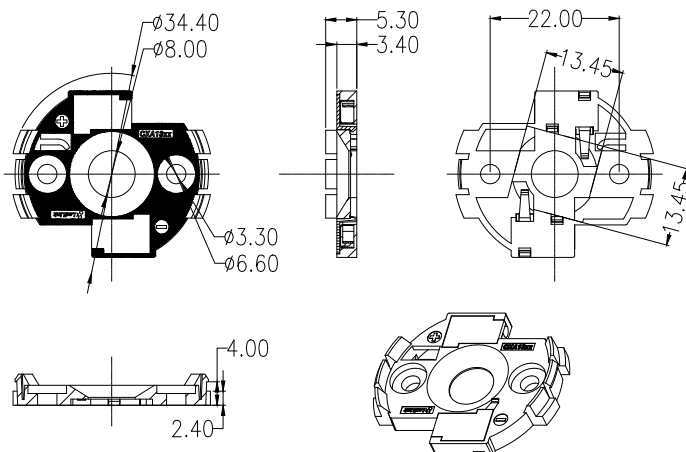
## 2. Lens dimension



## 3. Lens + Connector + Leds assembly instruction

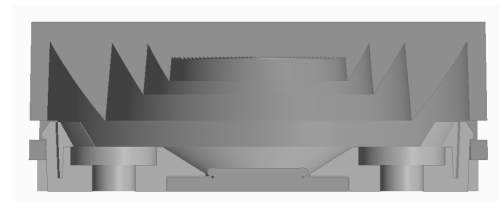


## 4. Connector dimension



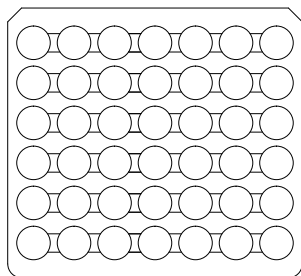
Connector part number: LL01A00CZNB2-M2

## 5. View assembly lens with LED:

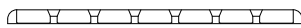


# LL01CR-CHQxxL02 Package Specifications

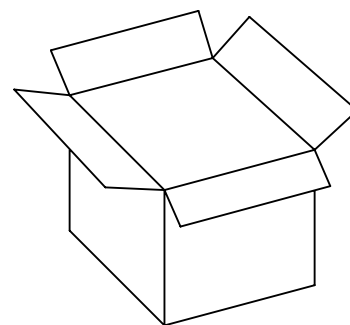
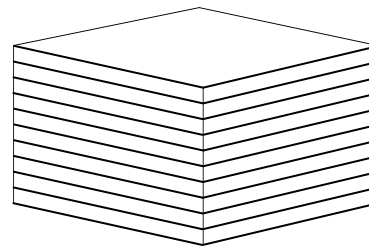
Item	Quantity	Total	Size(L*W*H)	G.W
plastic box	42pcs/plastic box	42 pcs	32*29.3*1.5 cm	5.4g
outer box	12 plastic box/outer box	504 pcs	35*31*21 cm	



LL-0066



42 pcs/plastic box



504 pcs/outer box



**Note:**

# Mouser Electronics

Authorized Distributor

Click to View Pricing, Inventory, Delivery & Lifecycle Information:

[LedLink Optics:](#)

[LL01CR-CHQ24L02](#)