

# Specification for approval

<b>Description(产品类型):</b>	<b>Transformer</b>
<b>Customer p/n(客户):</b>	<b>ER-0044</b>
<b>ZETTLER p/n(赛特勒):</b>	<b>XZM-EFD2034</b>
<b>Revision(版本号):</b>	<b>A1</b>
<b>Page(页数):</b>	<b>4</b>

**Drafted(制作): Joe**

**Checked(审核):ChenLiMei**

**Approved(确认):ZhangRongXin**



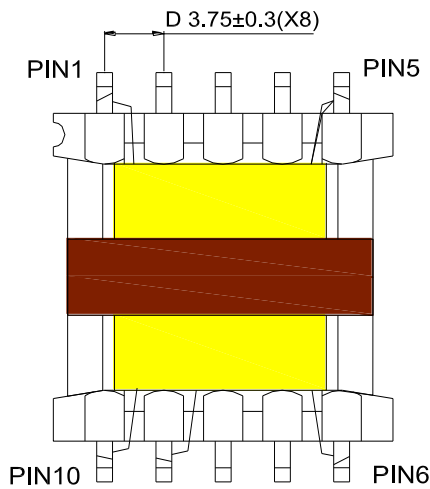
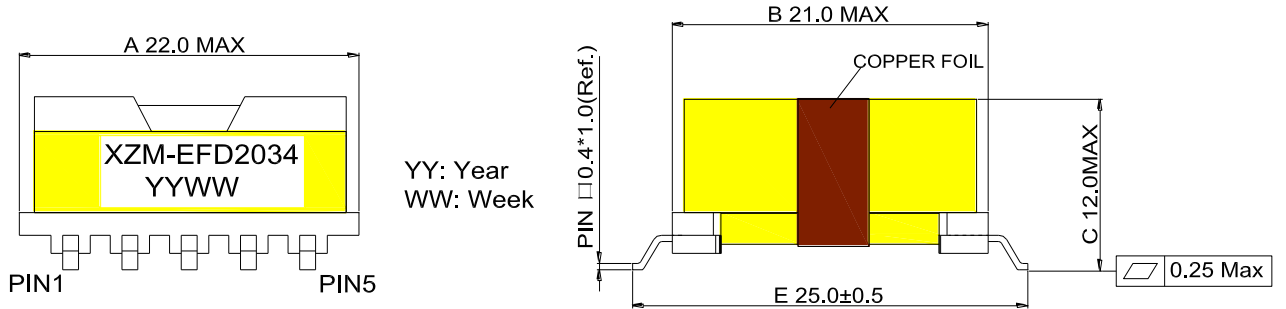
Rev.	Date	Description	Approved
A1	2019.10.12	Add flatness test into the specification.	Linhp
A0	2019.09.23	Transfer to mass production	Linhp
PD1.1	2019.7.3	Change the wire of SEC from 0.35 to 0.40	Joe
PD1.0	2018.8.6	Initial release	Joe
Rev.	Date	Description	Approved

**Approved by customer (客户确认) :** \_\_\_\_\_

Friendly Reminder: Please help to sign this Spec when approve , and fax to our company .Or else, we will consider you have accepted it and make future order based on this Spec.

友情提示:请在签字确认后,按封面的传真号码回传给赛特勒磁电有限公司.如无回传,则视为默认,后续的相关订单将以按本承认书的规定为技术要求.

## 1. OUTLINE DRAWING(外形图):UNIT(单位): mm

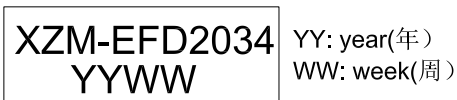


### NOTE:

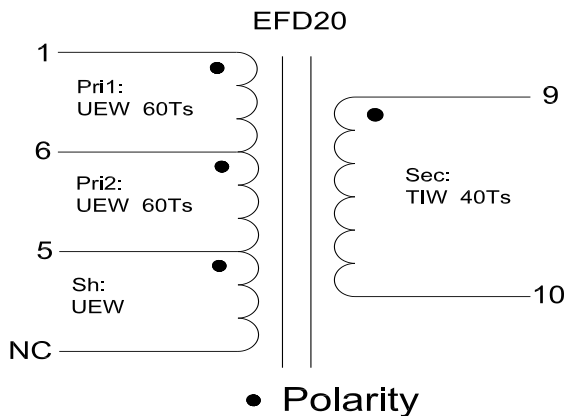
apply 1layer copper foil t0.05\*9.5 around the part.

成品外包1圈t0.05\*9.5自粘铜箔，并首尾焊接在一起。

## 2、Label(标签图)



## 3、SCHEMATIC(原理图):



## 4、ELECTRICAL SPECIFICATION(电气特性测试): TEST TEMPERATURE 测试温度@25±2℃:

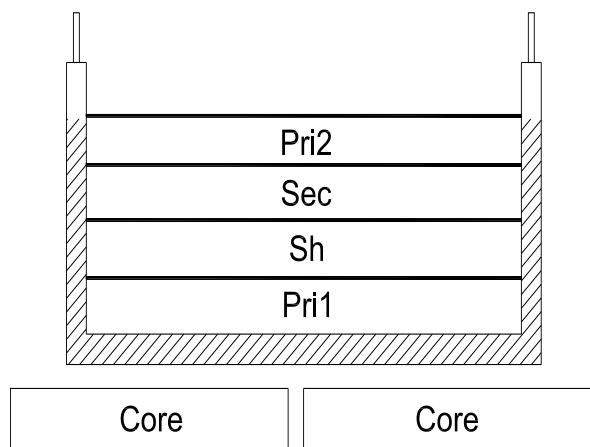
Item 项目	Terminal 端子	Specification 规格值	Test condition 测试条件
INDUCTANCE 电感量	1--5	900uH±10%	10KHz,1V,SER
LEAKAGE INDUCTANCE 漏电感	1--5 (else pin short)	25uH Max	10KHz,1V,SER
DCR 直流电阻(Ω)	1--5	3.0ΩMax	Ta=25°C
	9--10	0.32ΩMax	
POLARITY& TURNS RATIO 极性和圈数比	(Pri+Pri2) : Sec	120 : 40	10KHz,1.0V
HI-POT VOLTAGE 耐压	Pri---Sec	AC 1.5KV	50Hz or 60Hz 2mA/3S

## 5、PRECAUTIONS FOR USE (产品使用注意事项):

Operating Temperature range(产品工作温度范围): -25~+85℃

Storage temperature range(保存温度范围): -25~+50℃

## 6、WINDING STRUCTURE (绕线结构)



## 7、WINDING SPECIFICATION (绕线规格)

PRIORITY 顺序	TERMINAL 端子	START AND FINISH LEADS 起收线	COPPER WIRE OR FOIL 漆包线或铜箔	TURNS 圈数	TAPE AND TURNS 胶带类型与圈数	REMARK 备注	
1	Pri1	1--6	Not Cross	2UEW $\phi$ 0.20mm*1P	60Ts	14mm 2.0Ts	密绕
2	Sh	5--NC	Not Cross	2UEW $\phi$ 0.20mm*1P	60Ts(Ref.)	14mm 2.0Ts	密绕
3	Sec	9--10	Not Cross	TEX-E $\phi$ 0.40mm*1P	40Ts	14mm 2.0Ts	密绕
4	Pri2	6--5	Not Cross	2UEW $\phi$ 0.20mm*1P	60Ts	14mm 3.0Ts	密绕

## 8、BOM (材料表)

NO. 序号	MATERIAL TYPE 材料名称	DESCRIPTION 规格描述	MANUFACTURER 供应商	UL/file No UL 编号
1	BOBBIN 骨架	T375HF PM9820/PM9630	Chang Chun Plastics Co.,LTD SUMITOMO BAKELITE CO.,LTD	E59481 E41429
2	CORE 磁芯	HC40/ZP4/P4 or equal	HC40 ZHONGXING ACME	NA
3	TAPE 胶带	CT 1318-1	YAHUA ADHESIVE TAPE CO., LTD 3M COMPANY ELECTRICAL MARKETS DIV (EMD)	E165111 E17385
4	UEW Enameled Copper Wire UEW 漆包线	2UEW	HENG YA ELECTRIC (DONGGUAN) LTD YICHI ELECTRICAL MFG CO LTD	E197768 E230945
5	TRIPLE INSULATED WIRE 三层绝缘线	TEX-E TLW-B TILW-B	FURUAKWA ELECTRIC CO.,LTD ; DAH JIN TECHNOLOGY CO LTD; SUZHOU YUSHENG ELECTRONIC CO.,LTD	E206440 E236542 E332529