

A

B

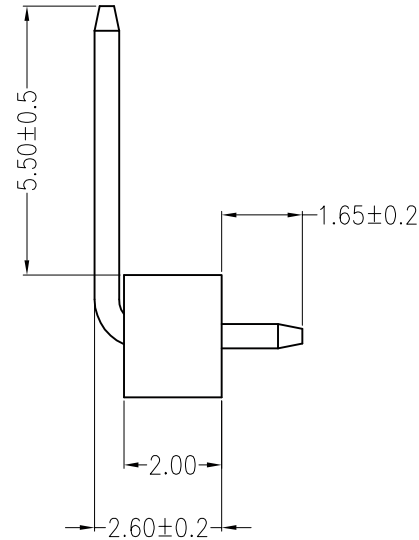
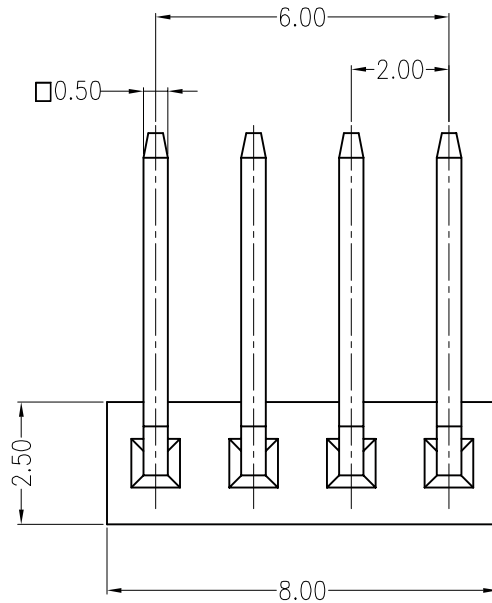
C

D

E

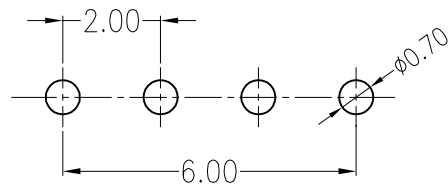
F

REV	ECN No.	DESCRIPTION	DESIGN	DATE
A	-	Release	吴丹平	2017.02.14



主要技术参数 Main Specifications

线 数 (Poles): 02 to 04
 接触电阻 (Contact resistance): $\leq 30m\Omega$
 绝缘电阻 (Insulation resistance): $\geq 1000M\Omega$
 额定电压 (Rated voltage): 275V AC DC
 额定电流 (Rated current): 1.0A AC DC
 耐 电压 (Withstand Voltage): 1000V AC/minute
 温度范围 (Temperature Range): $-40^{\circ}C \sim +110^{\circ}C$



Board Layout

General Tolerance: ± 0.05

3				
2	CONTACT	4 PCS	Brass	Ni:25u"-100u",Sn:80-200u"
1	HOUSING	1 PCS	PA46	UL 94V-0, COLOR:NATURAL
ITEM	COMPONENT	Q'TY	MATERIAL	FINISH

LEDsconn

TITLE:
2.0Pitch 90°wafer dip type

.X±0.35	X.±	USE: CUSTOMER	PART NO.:	
.XX±0.25	.X±			
.XXX±0.15	.XX±		DWG NO.:	
--	--			
	UNITS: mm	DR: 吴丹平	SCALE 1 : 1	SHEET 1 / 1

A

B

C

D

E

F